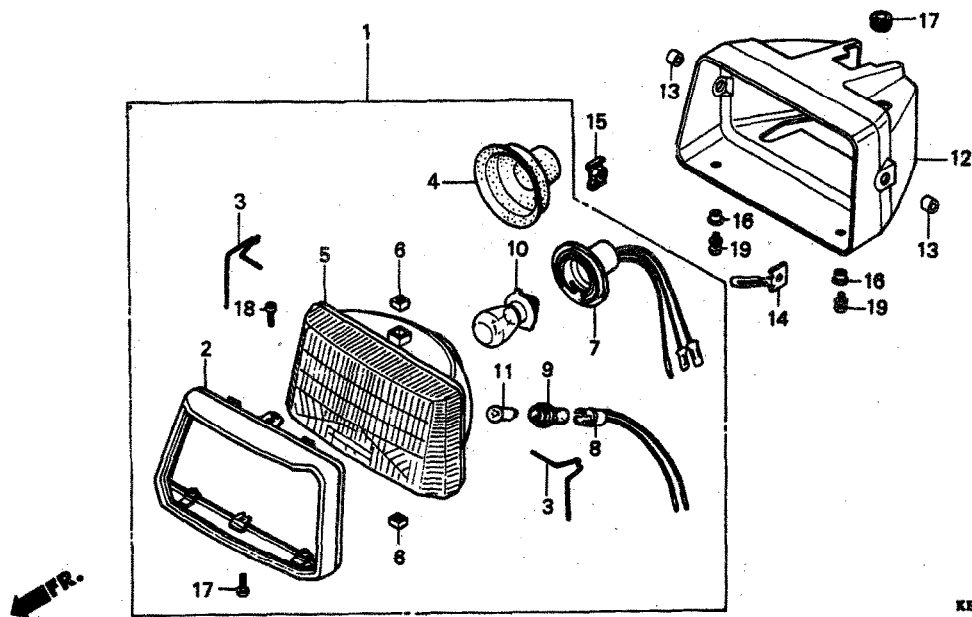


**E 1**

**F - I**

**Headlight  
(GL Max II)**



KEG3-F01 00

KEG3F010

Service item Bagian yang diservis	F.R.T.	Ref. No. Nomor petunjuk	Part No. Nomor Part	Description Name - Part	Reqd.No. Jumlah		Serial No. Nomor Serie	Notes Catatan
					GL Max II	GL PRO II		
HEADLIGHT ASSY.....	0.1	1	33100-KC5-920	HEADLIGHT ASSY.....	1	-		
SOCKET COMP., HEADLIGHT		2	33101-440-921	LINE, HEADLIGHT.....	1	-		
SOCKET ASSY., POSITION LIGHT		3	33108-028-013	SPRING, UNIT HOLDER (STANLEY)...	2	-		
BULB, HEADLIGHT		4	33115-166-013	COVER, RUBBER.....	1	-		
HEADLIGHT UNIT.....	0.2	5	33120-KC5-920	HEADLIGHT UNIT.....	1	-		
CASE, HEADLIGHT.....	0.3	6	33128-471-003	NUT, UNITHOLDER.....	2	-		
		7	33130-440-921	SOCKET COMP., HEADLIGHT.....	1	-		
		8	33150-471-003	SOCKET ASSY., POSITION LIGHT.....	1	-		
		9	33155-166-003	RUBBER, JOINT.....	1	-		
		10	34901-KB7-003	BULB, HEADLIGHT (12V 35/35W)...	1	-		
		11	34903-071-003	BULB, MARKER LIGHT (12V 3.4W) (STANLEY)	1	-		
		12	61301-KC5-920	CASE, HEADLIGHT.....	1	-		
		13	61302-471-000	COLLAR, HEADLIGHT CASE.....	2	-		
		14	61303-KEG-900	NUT, HEADLIGHT CASE.....	1	-		
		15	61303-105-000	NUT, HEADLIGHT CASE.....	1	-		
		16	61304-379-690	COLLAR, HEADLIGHT SETTING.....	2	-		
		17	61308-397-830	GROMMET, HEADLIGHT CASE.....	2	-		
		18	93500-05008-H1	SCREW, PAN, 5X8.....	2	-		
		19	93892-05016-10	SCREW-WASHER, 5X16.....	2	-		

1997.07.30

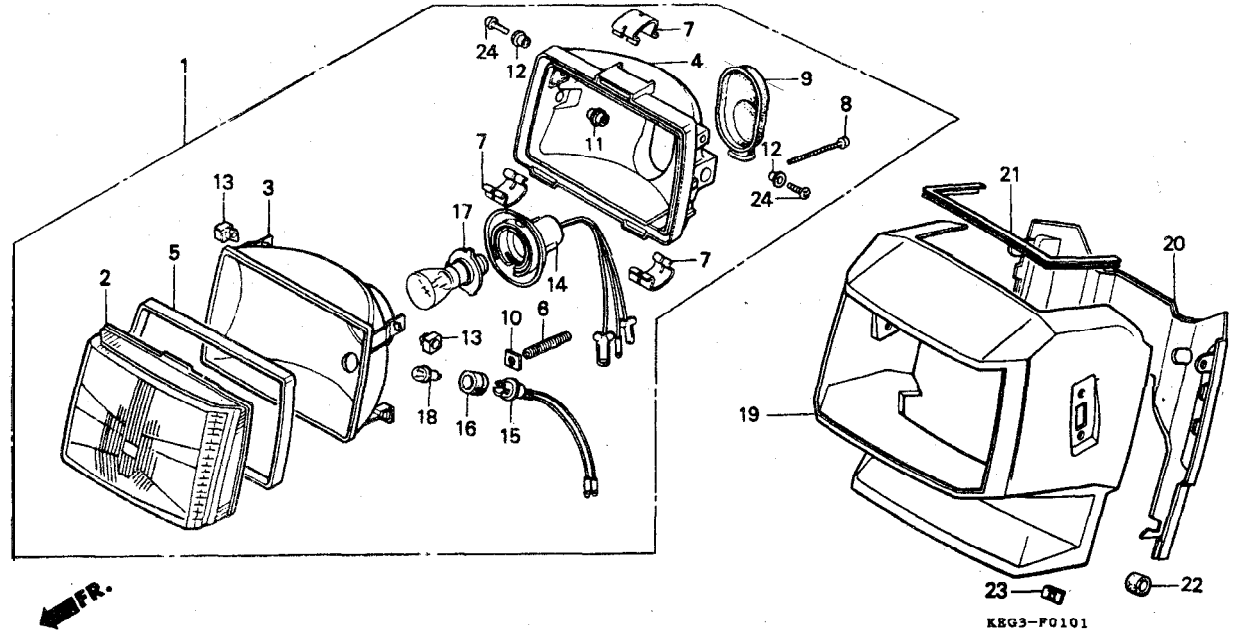
E

E1

**E 2**

**F-1 - 1**

Headlight  
(GL Pro II)



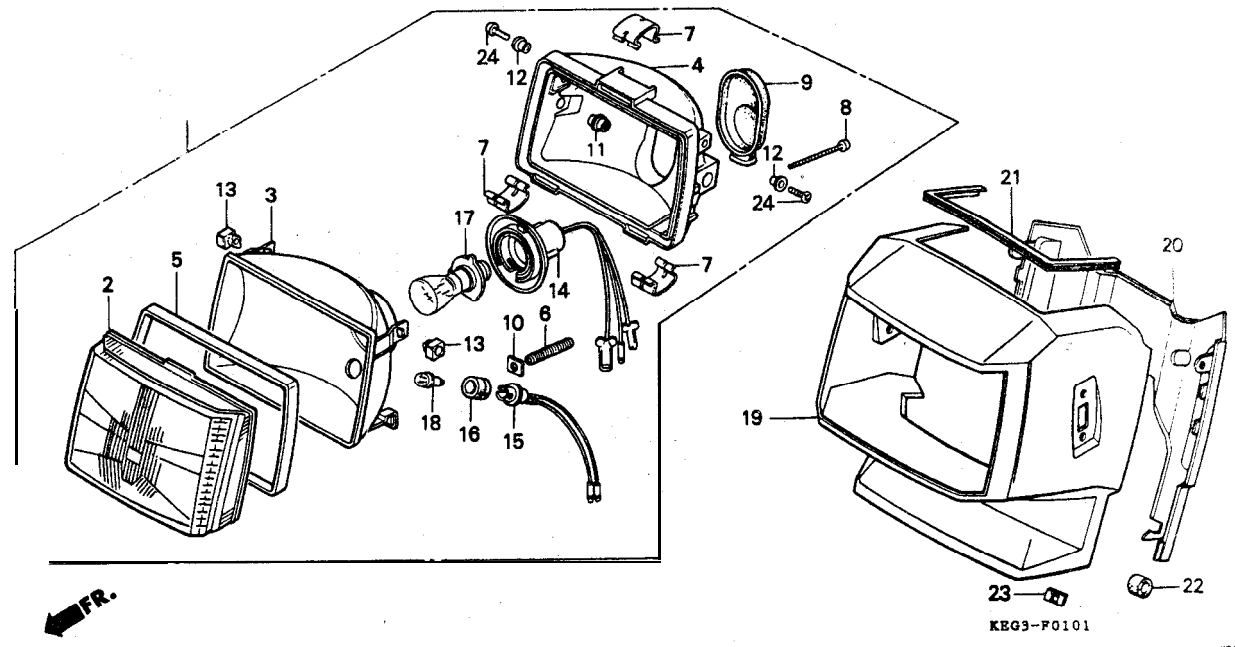
KEG1F101

Service item Bagian yang diservis	F.R.T.	Ref. No. Nomor petunjuk	Part No. Nomor Part	Description Nama - Part	Reqd.No. Jumlah GL Max II GL PRO II	Serial No. Nomor Serie	Notes Catatan
HEADLIGHT ASSY.....	0.4	1	33100-KEH-900	HEADLIGHT ASSY.....	- 1		
. SOCKET ASSY., HEADLIGHT		2	33101-KC5-003	LINE, HEADLIGHT .....	- 1		
. SOCKET COMP., POSITION LIGHT		3	33102-KC5-003	REFLECTOR, HEADLIGHT.....	- 1		
REFLECTOR, HEADLIGHT.....	0.5	4	33104-KC5-003	CASE, HEADLIGHT.....	- 1		
(INC. RELATIVE PART)		5	33105-KC5-003	SEAL HEADLIGHT.....	- 1		
(TERMASUK PART YANG BERHUBUNGAN)		6	33107-300-003	SPRING, HEADLIGHT BEAM ADJUSTING	- 1		
. CASE, HEADLIGHT		7	33113-MC7-611	CLIP, LENS HOLDER.....	- 3		
. PLATE, HEADLIGHT BACK		8	33114-KC5-003	SCREW, BEAM ADJUSTING.....	- 1		
BULB, HEADLIGHT.....	0.3	9	33116-KC5-003	COVER RUBBER.....	- 1		
. BULB, MARKER LIGHT		10	33117-001-023	NUT, HEADLIGHT BEAM ADJUSTING	- 1		
. CASE, HEADLIGHT		11	3311 a-KC5003	NUT, HEADLIGHT SETTING.....	- 2		
		12	33121-KC5-003	WASHER, REFLECTOR HOLDER...	- 2		
		13	33122-KC5-003	NUT, REFLECTOR HOLDER.....	- 2		
		14	33130-KC5-003	SOCKET ASSY., HEADLIGHT.....	- 1		
		15	33150-KC5-003	SOCKET COMP., POSITION LIGHT.....	- 1		
		16	33905-303-003	RUBBER, JOINT (STANLEY).....	- 1		
		17	34901-KB7-003	BULB HEADLIGHT (12V 35/35W).....	- 1		
		18	34903-071-003	BULB, MARKER LIGHT (12V 3.4W) (STANLEY)	- 1		
		19	61301-KG2-960	CASE, HEADLIGHT .....	- 1		
		20	61303-KG2-960	PLATE, HEADLIGHT BACK.....	- 1		

**E 3**

**F-I - 1**

Headlight  
(GL Pro II)

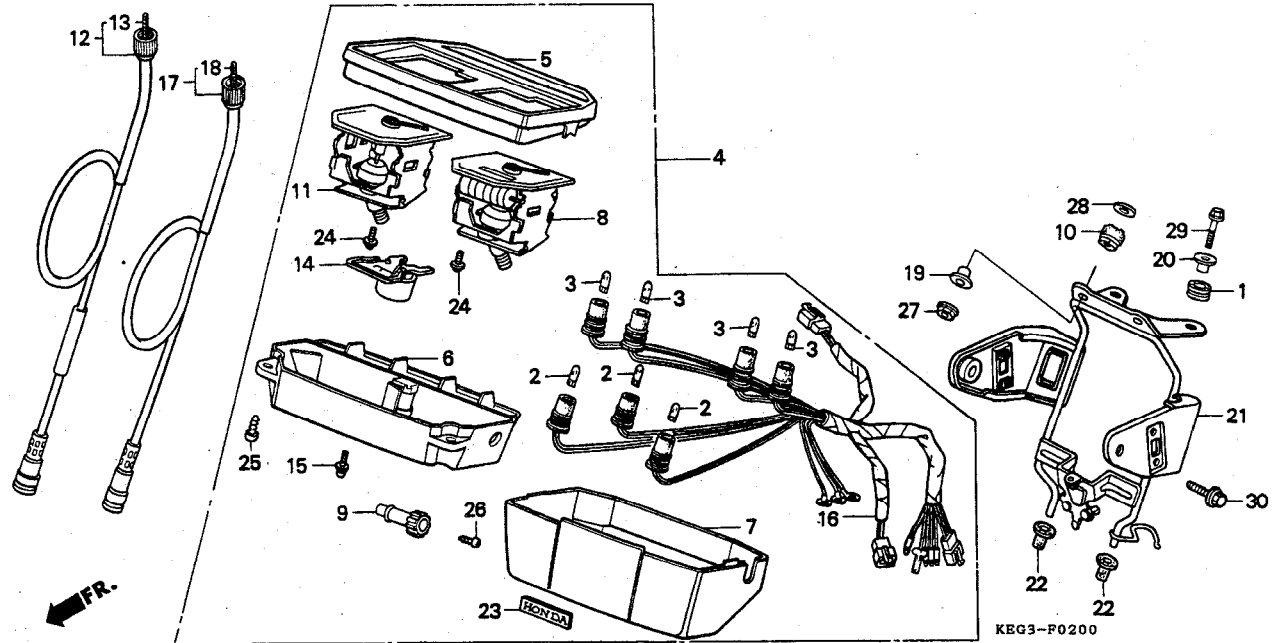


Service item Bagian yang diservis	F.R.T.	Ref. No. Nomor petunjuk	Part No. Nomor Part	Description Nama - Part	Reqd.No. Jumlah GL Max II GL PRO II	Serial No. Nomor Serie	Notes Catatan
		21	61304-KC5-000	RUBBER, HEADLIGHT CASE SEAL.....	- 1		
		2 2	61306-KC5-000	GROMMET, HEADLIGHTCASE .....	- 2		
		2 3	90315-504-000	NUT, SPEED, 3MM .....	- 2		
		2 4	93500-0501 0-0A	SCREW, PAN, 5X10 .....	- 2		

**E 4**

**F - 2**

Meter  
(GL Max II)



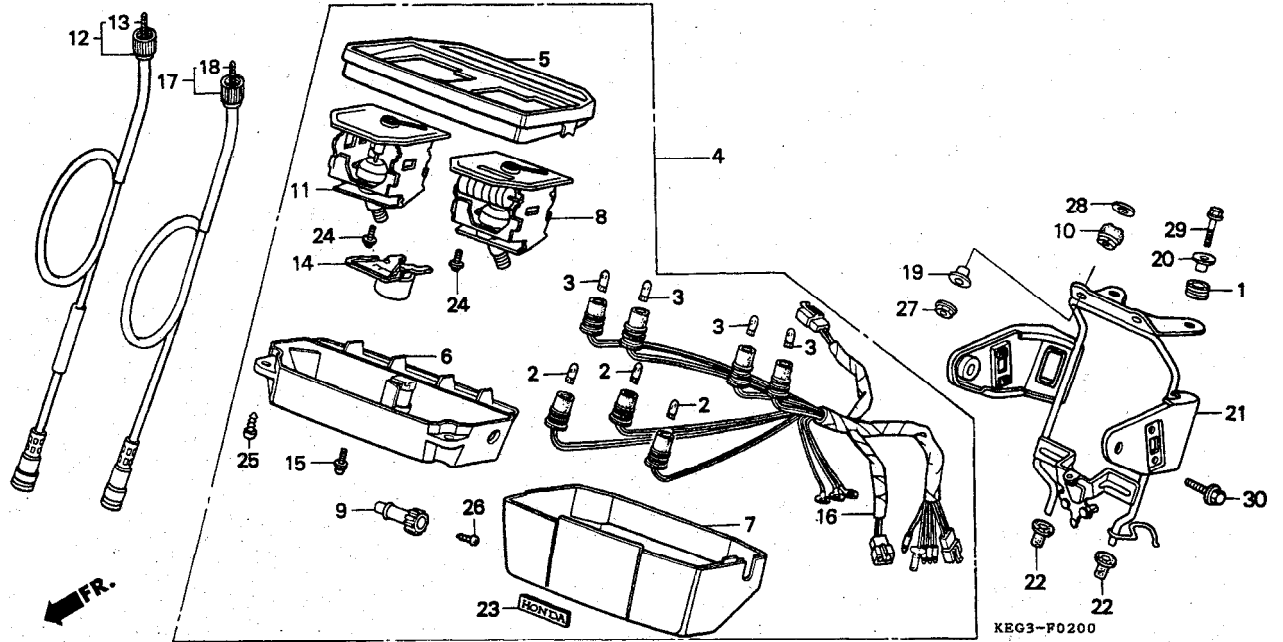
KEG1F0200

Service item Bagian yang diservis	F. R. T.	Ref. No. Nomor petunjuk	Part No. Nomor Part	Description Nama - Part	Reqd.No. Jumlah Gl. Max II Gl. PRO II	Serial No. Nomor Serie	Notes Catatan
METER ASSY., COMBINATION	0.4	1	17245-107-010	RUBBER, AIR CLEANER CASE	2	-	
CASE, METER UPPER				MOUNTING	2	-	
COVER, LOWER		2	34908-GA7-701	BULB, WEDGE BASE (12V 3.4W)	3	-	
CASE, METER LOWER	0.1	3	34908-MB9-871	BULB, WEDGE BASE (12V 1.7W)	4	-	
SPEEDOMETER ASSY.		4	37100-KEH-F00	METER ASSY., COMBINATION	1	-	
TACHOMETER ASSY.		5	37100-KC5-018	CASE, METER UPPER	1	-	
SOCKET COMP.							
CABLE ASSY., TACHOMETER	0.1	6	37102-KC5-008	CASE, UNDERASSY.	1	-	
CABLE ASSY., SPEEDOMETER		7	37103-KC5-008	COVER, LOWER	1	-	
CABLE, INNER	0.1	8	37200-KEH-900	SPEEDOMETER ASSY.	1	-	
METER COMP., FUEL	0.1	9	37220-KC5-008	KNOB, TRIP METER	1	-	
STAY, HEADLIGHT & METER		10	37242-435-700	RUBBER, SPEEDOMETER MOUNTING	2	-	
		11	37250-KEH-900	TACHOMETER COM P.	1	-	
		12	37260-KEH-F00	CABLE ASSY., TACHOMETER	1	-	
		13	37261-KEH-900	CABLE INNER	1	-	
		14	37300-KEH-900	FUEL METER ASSY.	1	-	
		15	37205-KE5-008	SCREW-WASHER, 3X22	3	-	
		16	37610-KG2-951	SOCKET COMP.	1	-	
		17	44830-KC6-F00	CABLE ASSY., SPEEDOMETER	1	-	
		18	44831-KC6-000	CABLE INNER	1	-	
		20	61104-422-000	COLLAR, SETTING	2	-	
		21	61311-KC5-000	STAY, HEADLIGHT & METER	1	-	
		22	61312-149-300	BOOT, HEADLIGHT BRACKET	2	-	
		23	87124KC5300	EMBLEM, METER CASE	1	-	
		24	90101-GC8-008	SCREW, FLANGE, 4X8	4	-	

**E 5**

**F - 2**

Meter  
(GL Max II)

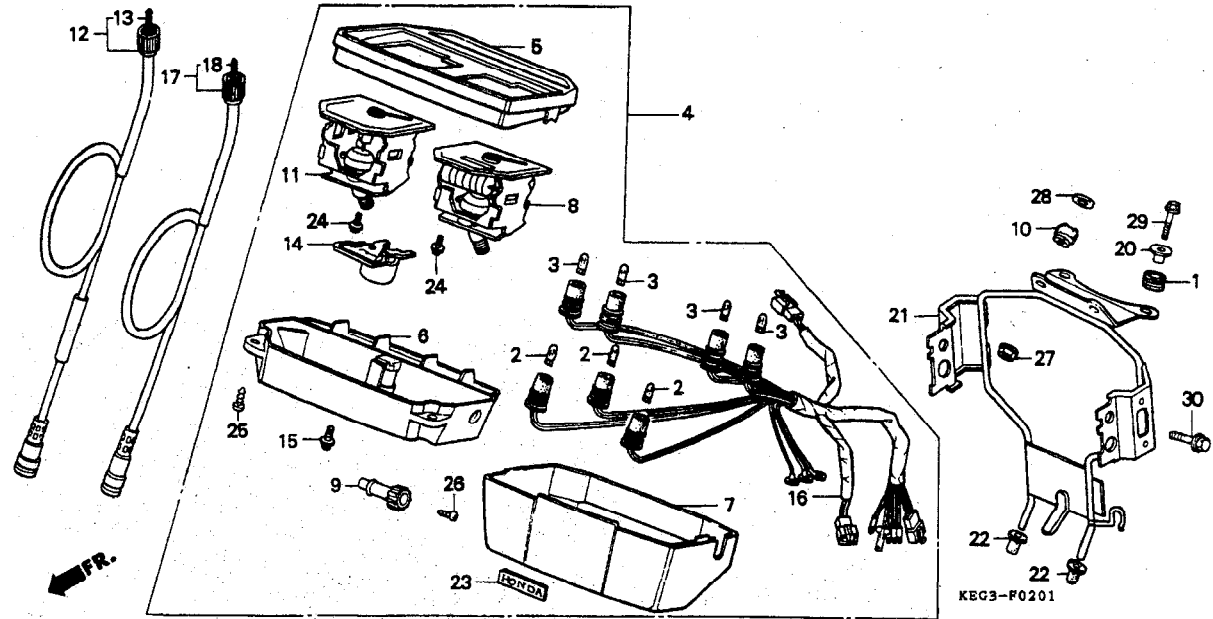


Service item Bagian yang disetvis	F.R.T.	Ref. No. Nomor petunjuk	Part No. Nomor Part	Description Nama - Part	Reqd.No. Jumlah GL Max II GL PRO II	Serial No. Nomor Serie	Notes Catatan
		25	90106-KJ6-000	SCREW, TAPPING, 4X14.....	5 -		
		26	90158-KM7-911	SCREW, PAN, 2X6.....	1 -		
		27	94050-06000	NUT, FLANGE, 6MM.....	2 -		
		28	9410366000	WASHER, PWN, 6MM.....	2 -		
		29	95701-06022-00	BOLT, FLANGE, 6X22.....	2 -		
		30	95701-08025-07	BOLT, FLANGE, 8X25.....	2 -		

# E 6

## F - 2 - 1

Meter  
(GL Pro II)



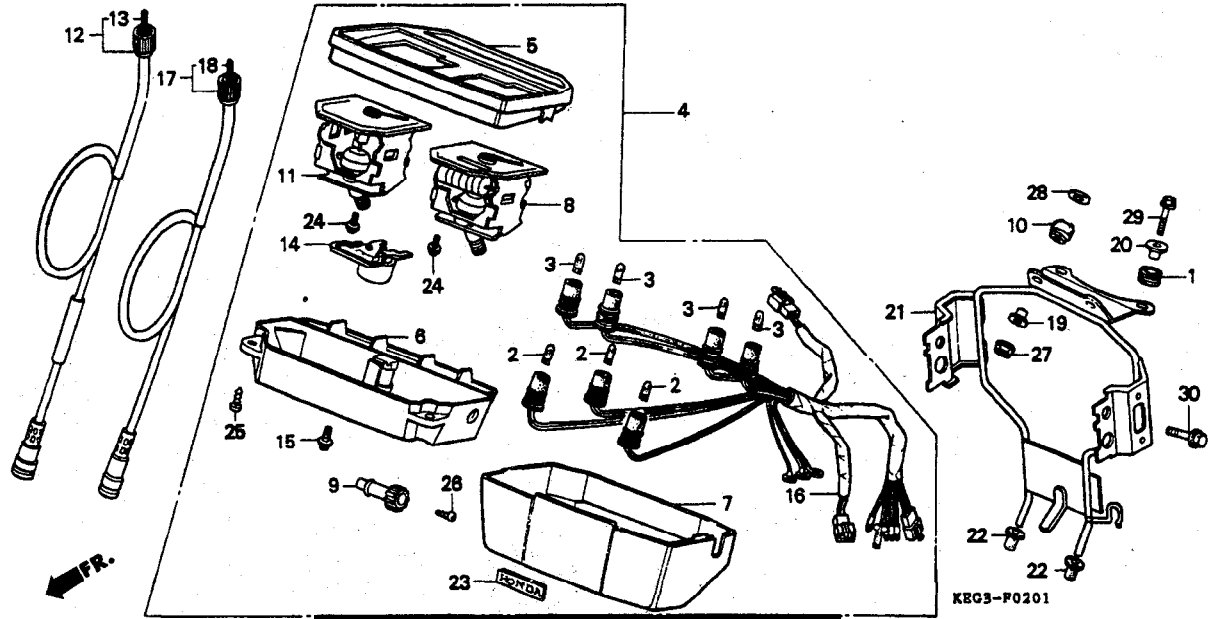
KEG3-F0201

Service item Bagian yang diservis	F. R. T.	Ref. No. Nomor	Part No. Nomor Part	Description Nama - Part	Reqd.No. Jumlah GL Max # GL PRO II	Serial No. Npmor Serie	Notes Catatan
METER ASSY., COMBINATION .....	0.6	1	17245-107-010	RUBBER, AIR CLEANER CASE			
CASE, METER UPPER				MOUNTING	- 2		
COVER, LOWER		2	34908-GA7-701	BULB, WEDGE BASE (12V 3.4W) .....	- 3		
CASE, METER LOWER .....	0.7	3	34908-MB9-871	BULB, WEDGE BASE (12V 1.7W) .....	- 4		
SPEEDOMETER ASSY.		4	37100-KEH-F00	METER ASSY., COMBINATION .....	- 1		
TACHOMETER ASSY.		5	37101-KC5-018	CASE, METER UPPER .....	- 1		
SOCKET COMP.							
CABLE ASSY., TACHOMETER .....	0.4	6	37102-KC5-008	CASE, METER LOWER .....	- 1		
CABLE ASSY., SPEEDOMETER		7	37103-KC5-008	COVER, LOWER	- 1		
CABLE, INNER .....	0.1	8	37200-KEH-900	SPEEDOMETER ASSY	- 1		
METER ASSY., FUEL .....	0.8	9	37220-KC5-008	KNOB, TRIP METER	- 1		
STAY, HEADLIGHT & METER		10	37242-435-700	RUBBER, SPEEDOMETER MOUNTING	- 2		
		11	37250-KEH-900	TACHOMETER COMP	- 1		
		12	37260-KEH-F00	CABLE ASSY., TACHOMETER	- 1		
		13	37261-KEH-900	CABLE, INNER	- 1		
		14	37300-KEH-900	FUEL METER ASSY	- 1		
		15	37305-KE5-008	SCREW - WASHER, 3 X 22	- 3		
		16	37610-KG2-951	SOCKET COMP.	- 1		
		17	44830-KC6-F00	CABLE, ASSY., SPEEDOMETER	- 1		
		18	44831-KC6-000	CABLE, INNER	- 1		
		20	61104-422-000	COLLAR, SETTING	- 2		
		21	61311-KC5-000	STAY, HEADLIGHT & METER	2		
		22	61312-149-300	BOOT, HEADLIGHT BRACKET	- 1		
		23	87129-KC5-300	EMBLEM, METER CASE	- 2		
		24	90101-GC8-008	SCREW, FLANGE, 4X8	- 1		

**E 7**

**F - 2 - 1**

Meter  
(GL Pro II)

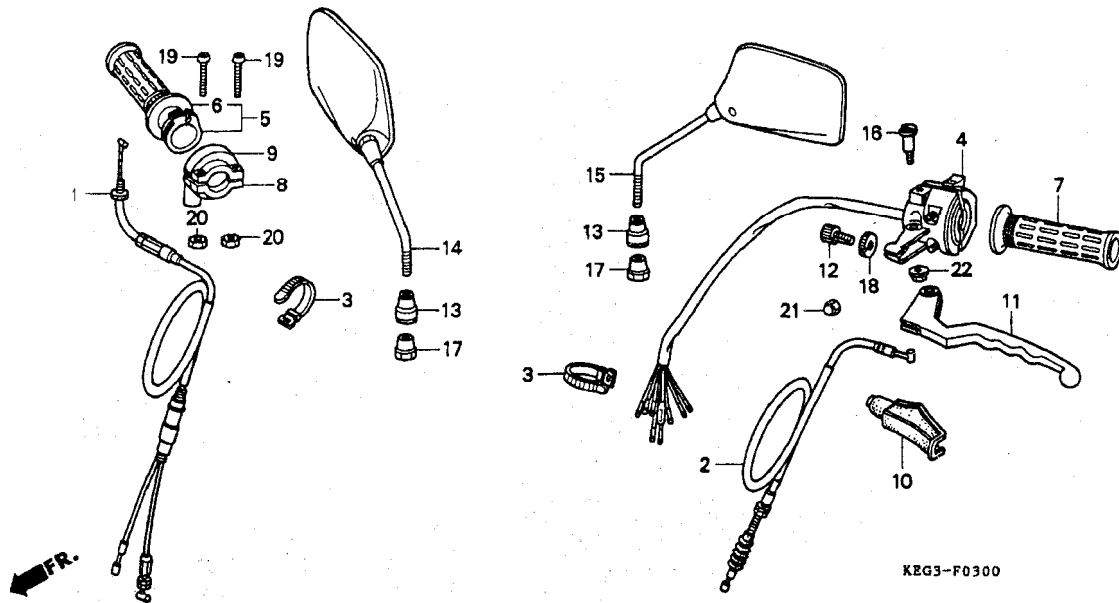


Service item Bagian yang diservis	F.R.T	Ref. No. Nomor petunjuk	Part. No. Nomor Part	Description Nama - Part	Reqd.No. Jumlah GL Max II GL PRO I	Serial No. Nomor Serie	Notes Catatan
		25	90106-KJ6-000	SCREW, TAPPING, 4X14.....	- 5		
		26	90158-KM7-911	SCREW, PAN, 2X6.....	- 1		
		27	94050-06000	NUT, FLANGE, 6MM.....	- 2		
		28	94103-06000	WASHER, PLAIN, 6MM.....	- 2		
		29	95701-06022-00	BOLT, FLANGE, 6X22.....	- 2		
		30	95701-08025-07	BOLT, FLANGE, 8X25.....	- 2		

**E 8**

**F - 3**

Handle lever • Switch • Cable



KEG3-F0300

KEG3F0300

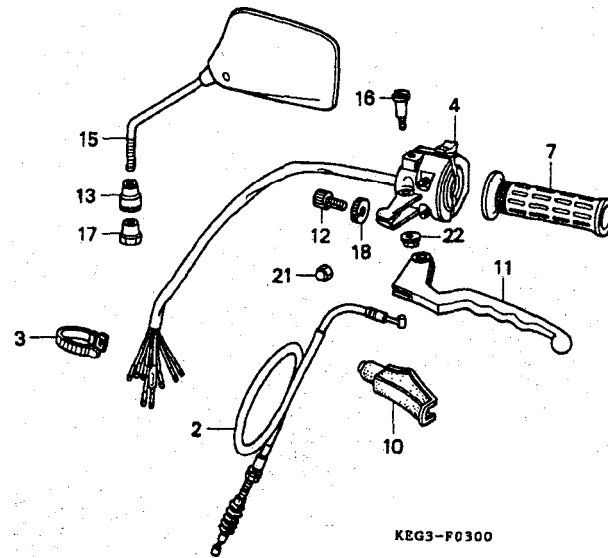
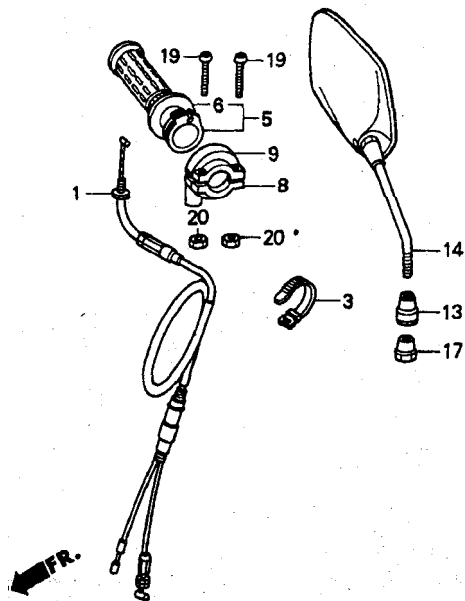
Service item Bagian yang diservis	F.R.T.	Ref. No. Nomor	Part No. Nomor Part	Description Nama - Part	Reqd.No. Jumlah Gl. Max II GLPRO II	Serial No. Nomor Serie	Notes Catatan
CABLE COMP., THROTTLE .....	0.4	1	17910-KEG-900	CABLE COMP., THROTTLE .....	1 -		
CABLE COMP., CLUTCH .....	0.2		17910-KEH-900	CABLE COMP., THROTTLE .....	- 1		
GRIP, R. HANDLE .....		2	22870-KEH-900	CABLECOMP., CLUTCH .....	1 1		
SWITCH ASSY., WINKER .....	0.6	3	32161-404-000	BAND B1, WIRE .....	2 2		
GRIP COMP., R. ....	0.1	4	35150-KG2-950	SWITCH ASSY., WINKER .....	1 1		
GRIP, L. HANDLE .....		5	53140-KEG-900	GRIPCOMP., R. ....	1 -		
HOUSING, UNDER THROTTLE .....			53140-KEH-900	GRIPCOMP., R. ....	- 1		
LEVER, L. STEERING HANDLE .....		6	53165-422-000	GRIP, R. HANDLE .....	1 1		
		7	53166-422-000	GRIP, L. HANDLE .....	1 1		
		8	53167-186 -810	HOUSING, UPPER THROTTLE .....	1 -		
			53167-KW6-900	HOUSING, UPPER THROTTLE .....	- 1		
		9	53168-166 -000	HOUSING, UNDER THROTTLE .....	1 -		
			53168-KW6-900	HOUSING, UNDER THROTTLE .....	- 1		
		10	53174-KC5 -000	COVER, L. HANDLE LEVER .....	1 1		
		11	53178-KC6-900	LEVER, L. STEERING HANDLE .....	1 1		
		12	53192-268-000	BOLT, WIREADJUSTING .....	1 1		
		13	88113-GN5-900	CAP, LOCKNUT .....	2 2		
		14	88110-GN5-780	MIRRORASSY., R. BACK .....	1 1		
		15	88120-GN5-780	MIRRORASSY., L. BACK .....	1 1		
		16	90113-422-000	BOLT, L. STEERING HANDLE LEVER PIVOT	1 1		
		17	90314-325-000	NUT, LOCK .....	2 2		
		18	90321-315-670	NUT, FIXING .....	1 1		
		19	93500-05022-0G	SCREW, PAN, 5x22 .....	2 2		



**E 9**

**F - 3**

Handle lever-switch-  
Cable



KEG3-F0300

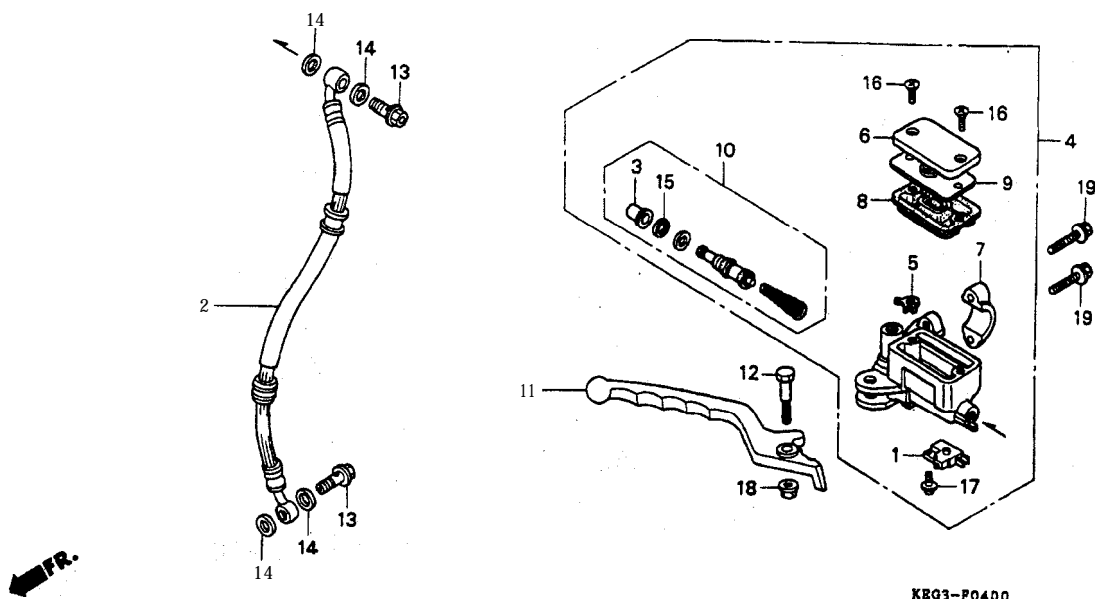
KEG3-F0300

Service item Bagian yang diservis	F.R.T.	Ref. No. Nomor petunjuk	Part No. Nomor Part	Description Nama - Part	Reqd.No. Jumlah GL Max I GL PRO II	Serial No. Nomor Serie	Notes Catatan
		20	94002-06000-0S	NUT, HEX, 6MM.....	2 2		
		2 1	94021-05070-0S	NUT, CAP, 6MM.....	2 2		
		22	9406046000	NUT, FLANGE, 6MM.....	1 1		

# E 10

## F - 4

Front brake master cylinder



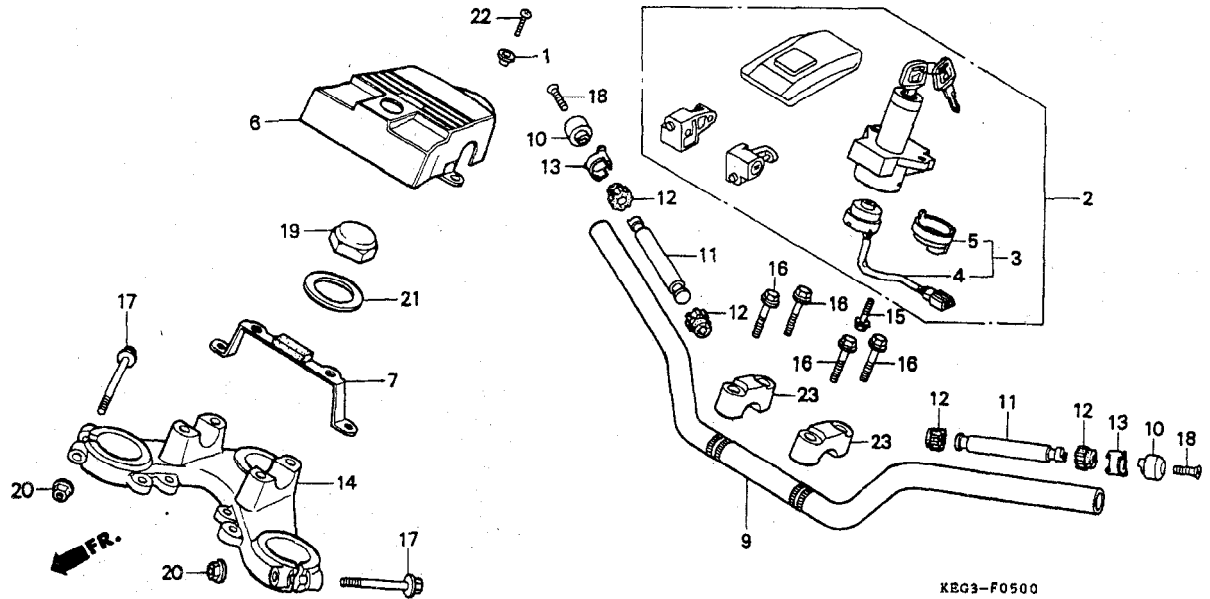
KEG3F1110

Service item Bagian yang diservis	F.R.T.	Ref. No. Nomor	Part No. Nomor Part	Description Nama - Part	Reqd.No. Jumlah GL Max II GL PRO II	Serial No. Nomor Serie	Notes Catatan
SWITCH ASSY., F R STOP..... <b>DIAPHRAGM</b>	0.1	1	35340-MA5-671	SWITCH ASSY., FR. STOP .....	1 1		
LEVER, R. STEERING HANDLE		2	45126-KEH-900	HOSE ASSY., FR. BRAKE .....	1 1		
HOSE ASSY., FR. BRAKE.....	0.4	3	45504-KEH-900	BOOT COMP.....	1 1		
CYLINDER SUB ASSY., FR. BRAKE MASTER CYLINDER SET, MASTER		4	45500-KEH-900	<b>CYLINDER ASSY., FR. BRAKE</b> MASTER	1 1		
		5	45512-KEH-900	PROTECTOR .....	1 1		
		6	45513-KEH-900	CAP MASTER CYLINDER .....	1 1		
		7	45517-KB9-960	HOLDER MASTER CYLINDER .....	1 1		
		6	45520-KEH-900	DIAPHRAGM .....	1 1		
		9	45521-KEH-900	PLATE, DIAPHRAGM .....	1 1		
		10	45530-471-831	CYLINDER SET, MASTER .....	1 1		
		11	53175-KEH-900	LEVER, R. STEERING HANDLE .....	1 1		
		12	90114-KEH-900	BOLT, HANDLE LEVER PIVOT. ....	1 1		
		13	90145-KEH-900	BOLT, OIL, 10X22 .....	2 2		
		14	90545-300-000	WASHER, OIL BOLT .....	4 4		
		15	90651-KEH-900	CIRCLIP, INTERNAL 18MM .....	1 1		
		16	93600-04012-1G	SCREW, FLAT, 4X12 .....	2 2		
		17	93893-04012-17	SCREW-WASHER, 4X12 .....	1 1		
		18	94050-06000	NUT, FLANGE, 6MM .....	1 1		
		19	95701-06022-07	BOLT, FLANGE, 6X22 .....	2 2		

E 11

F - 5

Handle pipe • Top bridge



KEG3-F0500

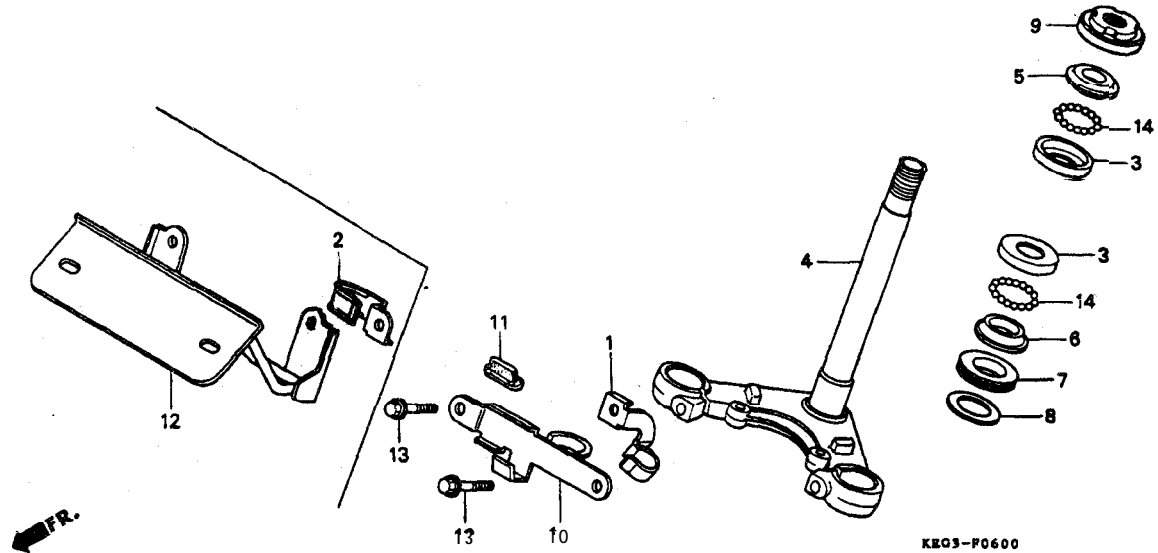
KEGIF0510

Service item Bagian yang diservis	F.R.T.	Ref. No. Nomor petunjuk	Part No. Nomor Part	Description Nama - Part	Reqd.No. Jumlah GL Max II GLPRO III	Serial No. Nomor Serie	Notes Catatan
KEY SET.....	0.6	1	33716-KEH-900	COLLAR, SETTING.....	2 2		
PIPE, STEERING HANDLE BRIDGE, FORK TOP		2	35010-KEH-900	KEY SET.....	1 1		
SWITCH ASSY., COMBINATION & LOCK..	0.5	3	35100-KEH-900	SWITCH ASSY., COMBINATION & LOCK	1 1		
BASE COMP., CONTACT	0.1	4	35101-KG2-951	BASE COMP., CONTACT.....	1 1		
COVER, COMBINATION SWITCH.....	0.2	5	35102-KB7-007	COVER, SWITCH.....	1 1		
WEIGHT B, HANDLE.....		6	35105-KC5-F00	COVER, COMBINATION SWITCH.....	1 1		
		7	35107-KEH-F00	STAY COMP., COMBINATION SWITCH COVER SET	1 1		
		6	53100-KEH-900	PIPE, STEERING HANDLE.....	1 1		
		9	53104-KBW-900	WEIGHT STEERING HANDLE.....	2 2		
		10	53104-KR3-000	WEIGHT B, HANDLE.....	2 2		
		11	53107-MB6-630	RUBBER B, HANDLE WEIGHT.....	4 4		
		12	53108-MB6-630	RING, HANDLE WEIGHT SNAP.....	2 2		
		13	5323 1 -KC5-000	BRIDGE, FORK TOP.....	1 1		
		14	90104-MJ1-000	BOLT, FLANGE, 8X19.....	2 2		
		15	90117363 -000	BOLT, FLANGE, 6X28.....	4 4		
		16	90155-369-000	BOLT, FLANGE, 7X54.....	2 2		
		17	90191-MJ0-940	SCREW, OVAL, 6X40.....	2 2		
		16	90304-159-000	NUT, STEERING STEM.....	1 1		
		19	90355-369-000	NUT, FLANGE, 7MM.....	2 2		
		20	90503-051-870	WASHER, STEERING STEM.....	1 1		
		21	93500-04008-0G	SCREW, PAN, 4X8.....	2 2		
		22	95014-21201	HOLDER A2, HANDLE PIPE UPPER.	2 2		

E 13

F - 6

Steering stem



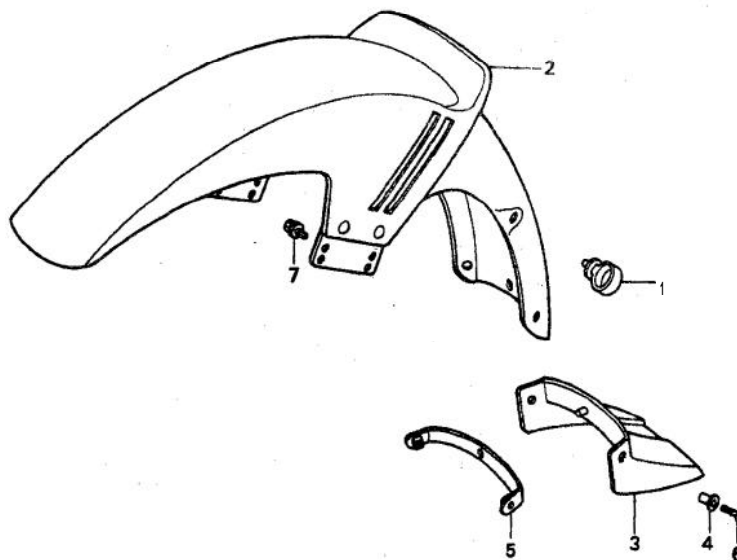
KEG3P010

Service item Bagian yang disetvis	F.R.T.	Ref. No. Nomor petunjuk	Part No. Nomor Part	Description Nama - Part	Reqd.No. Jumlah GL Max # GL PRO #	Serial No. Nomor Serie	Notes Catatan
RACE, STEERING TOP BALL .....	0.9	1	45157-KEH-900	CLAMPER, FR. BRAKE .....	1 1		
(SAME TIME FOR TWO UNITS)		2	45465 -KC5-920	CLAMP, BRAKE HOSE .....	1 -		
(WAKTU SAMA UNTUK DUA UNIT)		3	50301- 0 41-010	RACE, STEERING TOP BALL .....	2 2		
RACE, STEERING BOTTOM CONE		4	53200-KC5-920	STEM COMP., STEERING .....	1 1		
STEM COMP., STEERING .....	1.2	5	53211- 028-010	RACE, STEERING TOP CONE .....	1 1		
RACE, STEERING TOP CONE .....	0.5	6	53212-030-010	RACE, STEERING BOTTOM CONE...	1 1		
THREAD COMP., STEERING HEAD TOP		7	53214-o 01-010	DUST SEAL, STEERING HEAD .....	1 1		
		8	53215-O 01-000	WASHER, STEERING HEAD DUST SEAL	1 1		
		9	53220-074-000	THREAD COMP., STEERING HEAD TOP	1 1		
		10	61305-KEH-900	STAY, HEADLIGHT CASE SETTING..	- 1		
		11	61313-KEH-900	RUBBER, HEADLIGHT CASE	1		
		12	84700-KEH-940	BRACKET, FR. NUMBER PLATE .....	1 1		
		13	95701-08040-00	BOLT, FLANGE, 8X40 .....	2 2		
		14	96211-06000	BALL, STEEL, #6(3/16) .....	42 42		

E 14

F-7

Front fender



KB03-P0700

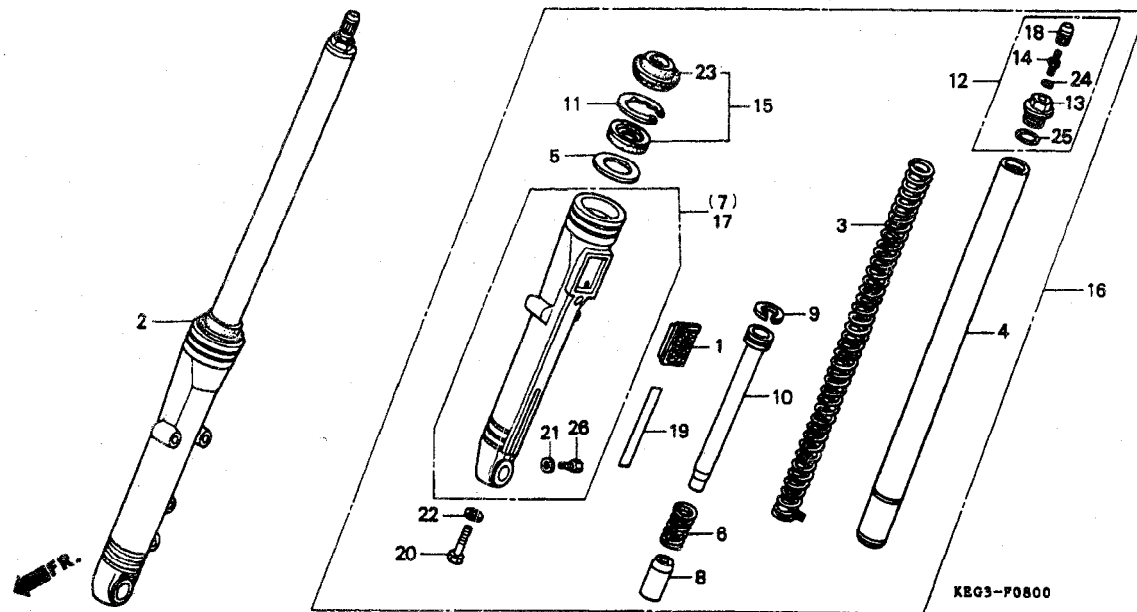
KE51F111

Service item Bagian yang diservis	F.R.T.	Ref. No. Nomor petunjuk	Part No. Nomor Part	Description Nama - Part	Reqd.No. Jumlah GL. Max # GL. PRO #	Serial No. Nomor Serie	Notes Catatan
FENDER COMP., FR.....	0.1	1	45451-471-000	GROMMET, WIRE.....	1 1		
MUDGUARD, FR. FENDER		2	61 100-KG2-950FMB	FENDER COMP., FR. (BLACK).....	1 1		
			61 100-KG2-950FME	FENDER, COMP., FR. (GREEN).....	1 1		
			61100-KG2-950FMI	FENDER COMP., FR. (VIOLET).....	1 1		
		3	61104-KC6-000	MUDGUARD, FR FENDER.....	1 1		
		4	61304-379-690	COLLAR, HEADLIGHT SETTING.....	2 2		
		5	61105-KC6-000	STAY, FR. MUDGUARD.....	1 1		
		6	93500-05012-0G	SCREW, PAN, 5x12.....	2 2		
		7	95701-06016-00	BOLT, FLANGE, 6X16.....	4 4		

E 15

F - 8

Front fork



KEG1F1111

Service item Bagian yang diservis	F.R.T.	Ref. No. Nomor petunjuk	Part No. Nomor Part	Description Nama - Part	Reqd.No. Jumlah GL Max I GL PRO II	Serial No. Nomor Serie	Notes Catatan
FORK ASSY., FR.....	0.6	1	33741-KC5-003	REFLECTOR, FR. REFLEX.....	2 2		
(ADD 0.1 FOR EACH.)		2	51400-KEH-900	FORK ASSY., R. FR.....	1 1		
(TAMBAHKAN 0,1 UNTUK MASING-MASING)		3	51401-KC5-003	SPRING, FR. CUSHION..	2 2		
SPRING, FR. CUSHION.....	0.2	4	51410-KC5-920	PIPE COMP., FR. FORK..	2 2		
PIPE COMP., FR. FORK.....	0.8	5	51412-446-003	RING, BACK UP..	2 2		
(ADD 0.4 FOR EACH.)		6	51412-369-000	SPRING, FR. CUSHION REBOUND..	2 2		
(TAMBAHKAN 0,4 UNTUK MASING-MASING)		7	51420-KG2-961	CASE COMP., R. FR. BOTTOM .....	1 1		
CASE COMP., BOTTOM.....	0.9	8	51432-GE4-003	PIECE, OIL LOCK .....	2 -		
(ADD 0.5 FOR EACH.)		8	51432-KC5-003	PIECE, OIL LOCK .....	- 2		
(TAMBAHKAN 0,5 UNTUK MASING-MASING)		9	51437-413-903	RING, PISTON .....	2 2		
SEAL SET, FR. FORK		10	51440-KEH-003	PIPE, SEAT .....	2 -		
(ADD 0.4 FOR EACH.)			51440-KC5-003	PIPE, SEAT .....	- 2		
(TAMBAHKAN 0,4 UNTUK MASING-MASING)							
VALVE COMP., AIR.....	0.1	11	51447-KB2-003	CIRCLIP, INTERNAL, 43 .....	2 2		
		12	51454 -169-013	BOLTASSY., FR. FORK(SHOWA) ..	2 2		
		13	51455-169-003	BOLT, FR. FORK.....	2 2		
		14	51456-469-013	VALVE COMP., AIR .....	2 2		
		15	51490-GS9-305	SEAL SET, FR. FORK.....	2 -		
			51490-KC5-305	SEAL SET, FR. FORK .....	- 2		
		16	51500-KEH-900	FORKASSY., L. FR .....	1 1		
		17	51520-KG2-961	CASE COMP., L. FR. BOTTOM	1 1		
		18	52425-I 6 9-003	CAP, AIR VALVE.....	2 2		
		19	6712 6-KC5-920	MARK, FR. FORK BOTTOM	2 2		
		20	90116-383-721	BOLT, SOCKET, 8 M M	2 2		
		21	90543-273-000	PACKING, FR. FORK DRAIN COCK..	2 2		
		22	90544-283-000	WASHER, SPECIAL, 8MM	2 2		

1997.07.30

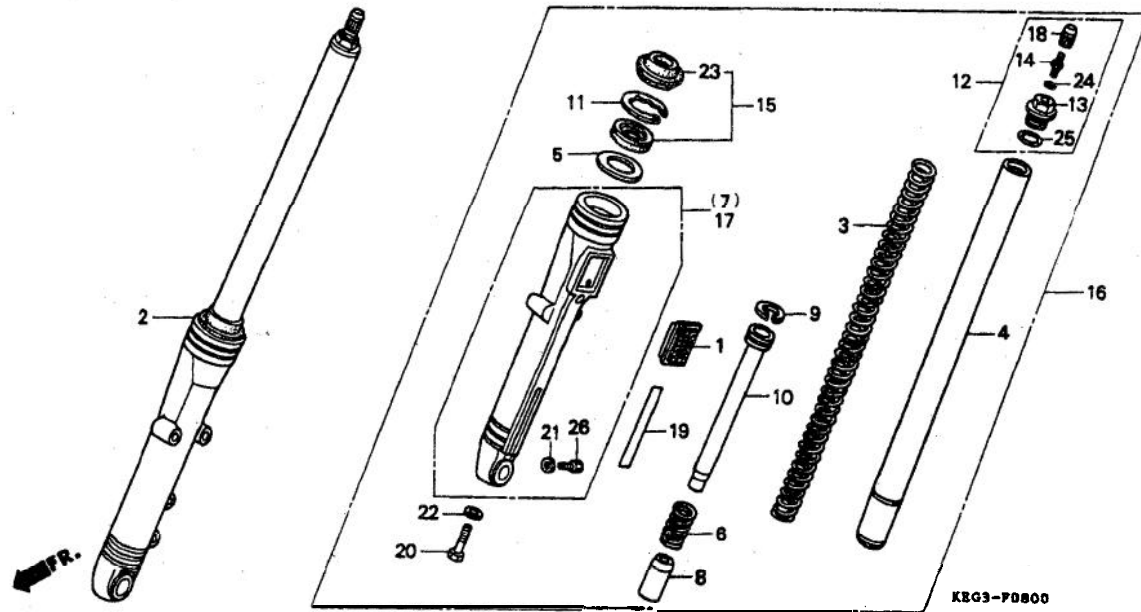
E

E 15

E 16

F - 8

Front fork



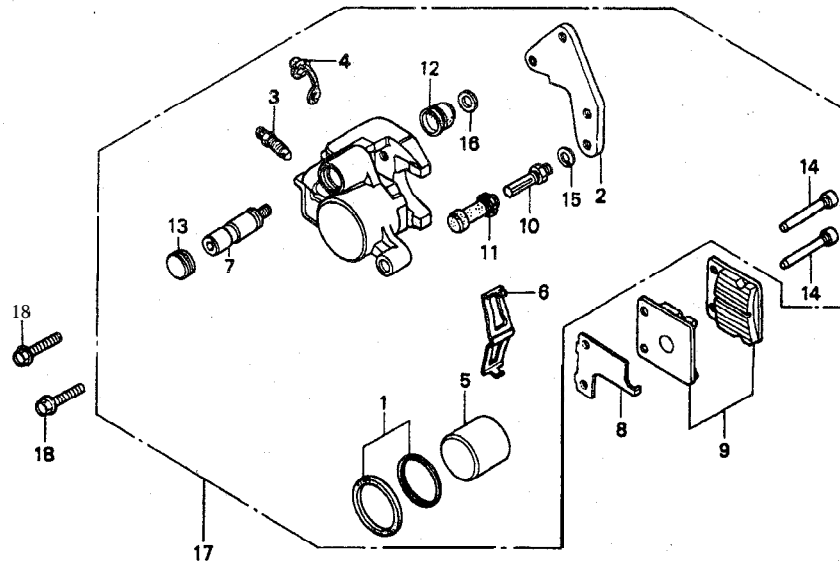
KEGIF0111

Service item Bagian yang diservis	F.R.T.	Ref. No. Nomor petunjuk	Part No. Nomor Part	Description Nama - Part	Reqd.No. Jumlah GL Max II GL PRO II	Serial No. Nomor Serie	Notes Catatan
		23	91254-GAA-003	DUST SEAL .....	2 2		
		24	91301469-003	O-RING, 5.0X1.9 .....	2 2		
		25	91358-169-003	O-RING.. .....	2 2		

**F 1**

**F - 9**

Front brake ca li per



KEG3-F0900

KEG3F1000

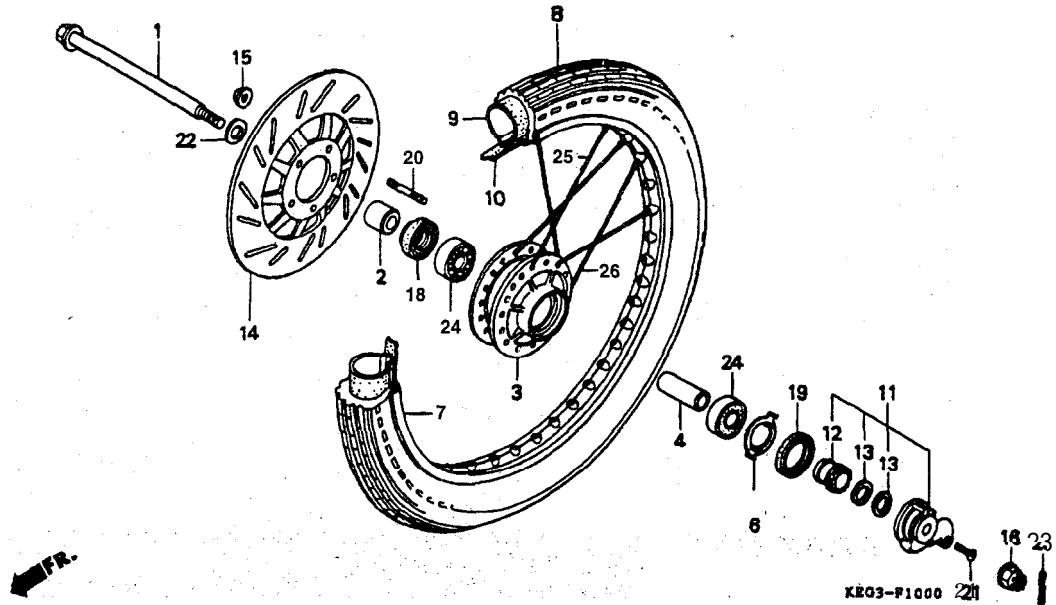
Service item Bagian yang diservis	F. R. T.	Ref. No. Nomor	Part No. Nomor Part	Description Nama - Part	Reqd.No. Jumlah B. Max I GL PRO I	Serial No. Nomor Serie	Notes Catatan
BRACKET, RR.....		1	45209-KEH-900	SEAL SET. PISTON.....	1 1		
C1.2		2	43210-KEH-900	BRACKET, RR.....	1 1		
PAD SET		3	43352-KEH-900	SCREW, BLEEDER.....	1 1		
PISTON.....		4	43353-KEH-900	CAP, BLEEDER.....	1 1		
0.4		5	45107-KEH-900	PISTON.....	1 1		
(INC. RELATIVE PART)		6	45108-KEH-900	SPRING, PAD.....	1 1		
(TERMASUK PART YANG BERHUBUNGAN)		7	45115KEH-900	PIN, SLIDE.....	1 1		
CALIPER SUB ASSY., R. FR.....		8	45116-KEH-900	SHIM, R.....	1 1		
C1.3		9	45105-KEH-900	PAD COMP. (JBCR).....	1 1		
		10	45131-KEH-900	PIN, BOLT.....	1 1		
		11	45132-KEH-900	BOOT, PIN BUSH.....	1 1		
		12	45133-KEH-900	BOOT, PIN.....	1 1		
		13	45134-KEH-900	DUST PLUG.....	1 1		
		14	45215-KEH-900	PIN, HANGER.....	2 2		
		15	45216-KEH-900	WASHER, WAVE.....	1 1		
		16	45218-KEH-900	WASHER, CONICAL SPRING.....	1 1		
		17	45200-KEH-900	CALIPER ASSY., R. H.....	1 1		
		18	90131-KAN-850	BOLT, FLANGE, 8X28.....	2 2		



**F 2**

**F-10**

Front wheel



KEG1000

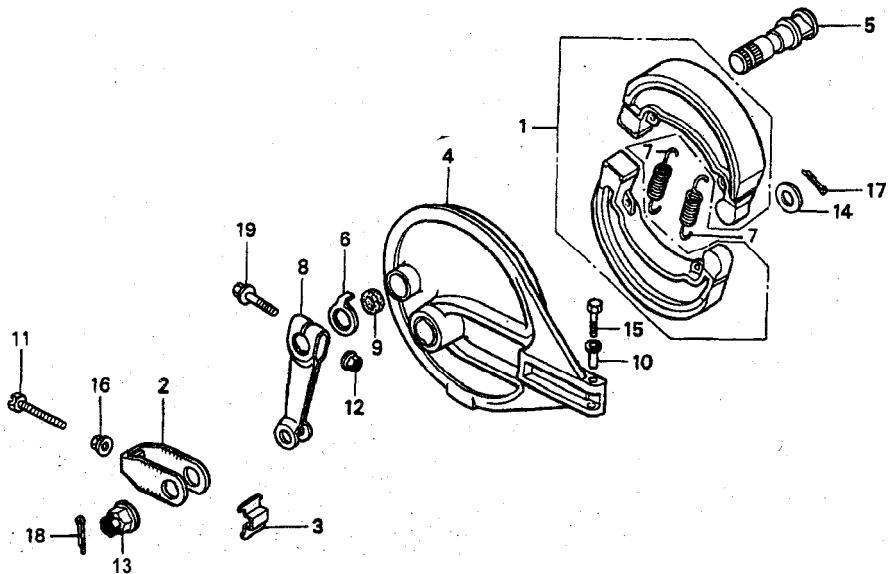
Service item Bagian yang diservis	F.R.T.	Ref. No. Nomor	Part No. Nomor Part	Description Nama- Part	Reqd. No. Jumlah	Serial No. Nomor Serie	Notes Catatan
			petunjuk		GL Max II GL PRO II		
AXLE, RR. WHEEL.....		1	44301-KC5-920	AXLE, FR. WHEEL.....	1	1	
2 BOX ASSY., SPEEDOMETER GEAR INC. RELATIVE PART) TERMASUK PART YANG BERHUBUNGAN)		2	4431 I-046-000	COLLAR, FR. WHEEL SIDE.....	1	1	
3 HUB, FR. WHEEL.....		3	44601 -KG2-960	HUB, FR. WHEEL.....	1	1	
4 COLLAR, FR. AXLE DISTANCE.....		4	44620-400-000	COLLAR, FR. AXLE DISTANCE.....	1	1	
6 RETAINER, GEAR BOX.....		6	44680-410-000	RETAINER, GEAR BOX.....	1	1	
7 RIM, FR. WHEEL ( 1.40X18).....		7	44701-383-721	RIM, FR. WHEEL ( 1.40X18).....	1	1	
8 TIRE, FRONT.....		8	4471 1-166-005	TIRE, FRONT.....	1	-	
9 TUBE, TIRE.....		9	44711 -KC6-005	TUBE, TIRE.....	-	1	
10 FLAP, TIRE (1.85-18).....		10	44712-150-005 44712-KC6-005 44713-150-005	TUBE, TIRE..... TUBE, TIRE..... FLAP, TIRE (1.85-18).....	1 - 1	- 1 1	
11 BOX ASSY., SPEEDOMETER GEAR.....		11	44800-KEH-900	BOX ASSY., SPEEDOMETER GEAR.....	1	1	
12 GEAR, SPEEDOMETER.....		12	44806-399-701	GEAR, SPEEDOMETER.....	1	1	
13 WASHER, SPEEDOMETER GEAR.....		13	44808-399-701	WASHER, SPEEDOMETER GEAR.....	2	2	
14 DISK, FR. BRAKE.....		14	45121 -KG2-950	DISK, FR. BRAKE.....	1	1	
15 NUT, U, 6MM.....		15	90301-473-003	NUT, U, 6MM.....	5	5	
16 NUT, AXLE, 12MM.....		16	90305-I 69-000	NUT, AXLE, 12MM.....	1	1	
18 OIL SEAL, 23X37X7.....		18	91252-030-003	OIL SEAL, 23X37X7.....	1	1	
19 DUST SEAL, 40X50X5.....		19	91258-410-013	DUST SEAL, 40X50X5.....	1	1	
20 BOLT STUD, 6X18.....		20	92911-06018-0E	BOLT STUD, 6X18.....	5	5	
21 SCREW, OVAL, 5X16.....		21	93700-05016-0A	SCREW, OVAL, 5X16.....	1	1	
22 WASHER, PLAIN, 12MM.....		22	94101-12000	WASHER, PLAIN, 12MM.....	1	1	
23 PIN, SPLIT, 3.0X20.....		23	94201-30200	PIN, SPLIT, 3.0X20.....	1	1	
24 BEARING, RADIAL BALL 6301 U.....		24	96140-63010-10	BEARING, RADIAL BALL 6301 U.....	2	2	
25 SPOKE, B, 10X196.....		25	97226-42232-I 0	SPOKE, B, 10X196.....	18	18	
26 SPOKE, B, 10X195.5.....		26	97550-42231-10	SPOKE, B, 10X195.5.....	18	18	

. 1 Spoke Set terdiri atas :  
- 18 INSIDE SPOKES  
- 18 OUTSIDE SPOKES

**F 4**

**F - II**

Rear brake panel



KEG9-F1100

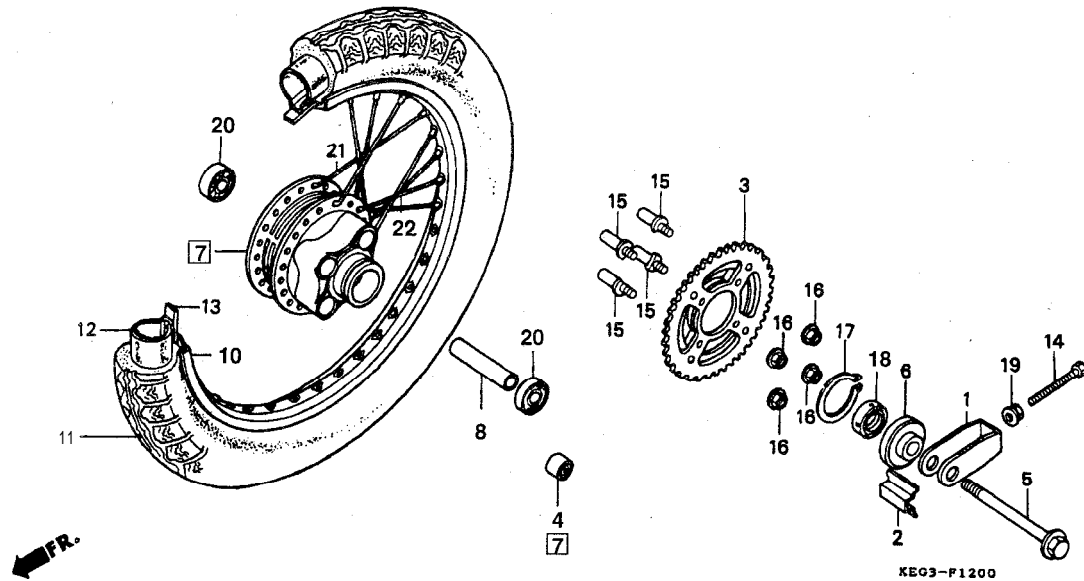
KEGIF100

Service item Bagian yang diservis	F.R.T.	Ref. No. Nomor	Part No. Nomor Part petunjuk	Description Nama - Part	Reqd.No. Jumlah Q.Max1 GLPRO II	Serial No. 'Nomor Serie	Notes Catatan
SHOE SET, BRAKE.....		1	43120-KC5-921	SHOE COMP. RR. BRAKE.....	2 2		
0.5		2	40543-KC5-000	ADJUSTER, CHAIN.....	1 1		
PANEL COMP., RR. BRAKE.....		3	40544-KC5-000	PLATE, RR. FORK END.....	1 1		
0.6		4	43100-KG2-960	PANEL COMP., RR. BRAKE.....	1 1		
(INC. RELATIVE PART) (TERMASUK PART YANG BERHUBUNGAN)		5	43141-ME4-000	CAM, RR. BRAKE.....	1 1		
ARM, RR. BRAKE.....		6	43145-399-000	INDICATOR, RR. BRAKE.....	1 1		
0.1		7	43151-329-000	SPRING, RR. BRAKE SHOE.....	2 2		
		a	43410-KC5-000	ARM, RR. BRAKE.....	1 1		
		9	45134-250-000	DUST SEAL, BRAKE CAM.....	1 1		
		10	90008-KC5-000	COLLAR, STOPPER.....	1 1		
		11	90119-KC5-000	BOLT, CHAIN ADJUSTER.....	1 1		
		12	90301-088-660	NUT, SPECIAL, 6MM.....	1 1		
		13	90305-401-680	NUT, AXLE, 14MM.....	1 1		
		14	90524-030-000	WASHER A, HANDLE HOLDER.....	1 1		
				<b>SETTING</b>			
		15	92101-06032-0A	BOLT, HEX., 6X32.....	1 1		
		16	94050-08000	NUT, FLANGE, 8MM.....	1 1		
		1 7	94201-20200	PIN, SPLIT, 2.0X20.....	1 1		
		18	94201-30200	PIN, SPLIT, 3.0X20.....	1 1		
		19	95701-06035-00	BOLT, FLANGE, 6X35.....	1 1		

**F 5**

**F - 12**

Rear wheel



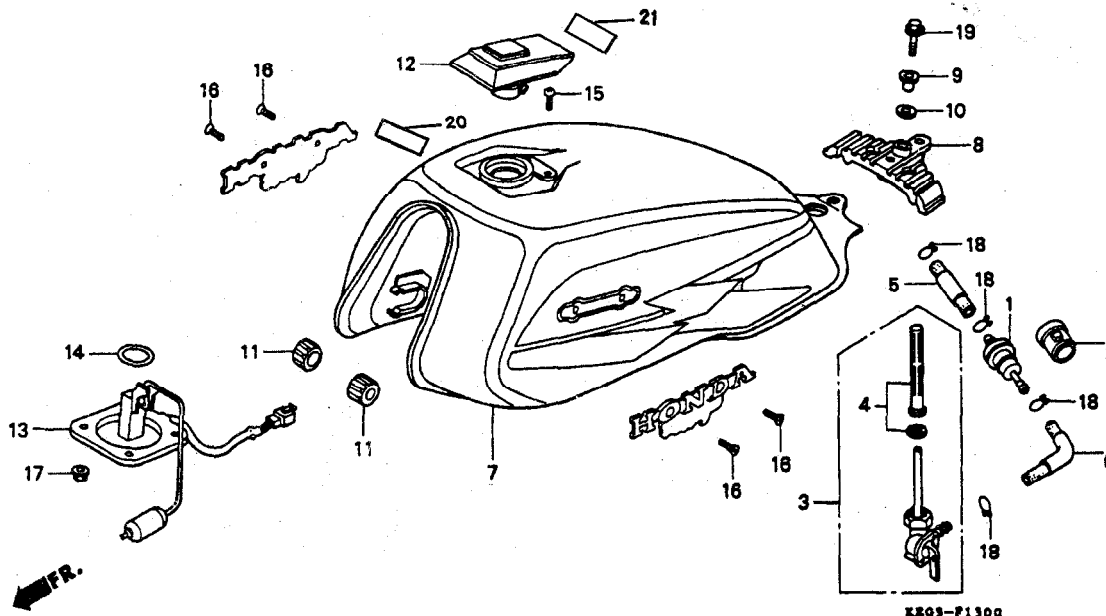
KEG3F1200

Service item Bagian yang diservis	F.R.T.	Ref. No. Nomor petunjuk	Part No. Nomor Part	Description Nama - Part	Reqd.No. Jumlah GL Max II GL PRO II	Serial No. Nomor Serie	Notes Catatan
SPROCKET COMP., FINAL DRIVEN.....	0.5	1	40543-KC5-000	ADJUSTER, CHAIN.....	1 1		
. COLLAR, RR. AXLE DISTANCE		2	40544-KC5-000	PLATE, RR. FORK END.....	1 1		
. BEARING, RADIAL BALL, 6302U (ADD 0.1 FOR EACH.) (TAMBAHKAN 0,1 UNTUK MASING-MASING)		3	41200-KEG-900	SPROCKET COMP., FINAL DRIVEN ( 41T )	1 -		
AXLE, RR. WHEEL.....	0.3		41201-KEH-900	SPROCKET COMP., FINAL DRIVEN ( 46T )	- 1		
HUB COMP., RR. WHEEL.....	2.6	4	41241-307-010	BUSH, RR. WHEEL DAMPER . .	4 4		
WHEEL SUB ASSY., RR.....	1.0	5	42301-KC5-921	AXLE, RR. WHEEL.....	1 1		
. TIRE, RR.		6	42304-KG2-950	COLLAR COMP., RR. WHEEL SIDE . .	1 1		
. TUBE, TIRE		7	42601-KG2-960	HUB COMP. RR. WHEEL.....	1 1		
RIM, RR. WHEEL . . . . .	2.3	8	42620-107-010	COLLAR, RR. AXLE DISTANCE . . . . .	1 1		
		10	42701-399-003	RIM, RR. WHEEL (1.60X18).....	1 1		
		11	42711-KC6-005	TIRE, RR. ( 3.00-18 4PR/47P ).....	1 1		
		12	42712-KC6-005	TUBE, TIRE (3.00-18).....	1 1		
		13	42713-KC6-005	FLAP, TIRE (18).....	1 1		
		14	90119-KC5-000	BOLT, CHAIN ADJUSTER . . . . .	1 1		
		15	90128-KE2-940	BOLT, DRIVEN SPROCKET FIXING.....	4 4		
		16	90308-382-670	NUT, FLANGE, 10MM.....	4 4		
		17	90664-216-000	CIRCLIP, 58MM.....	1 1		
		18	91257-230-003	OIL SEAL, 28X42X7.....	1 1		
		19	94050-08000	NUT, FLANGE, 8MM.....	1 1		
		20	96140-63020-10	BEARING, RADIAL BALL 6302 U	2 2		
		21	97284-52164-10	SPOKE SET B, 9X162 (INSIDE) . .	18 18		. 1 SPOKE SET TERDIRI ATAS: - 18 INSIDESPOKES - 18 OUTSIDE SPOKES
		22	97605-52163-10	SPOKE SET B, 9X161,5 (OUTSIDE) . .	18 18		

**F 7**

**F-13**

Fuel tank

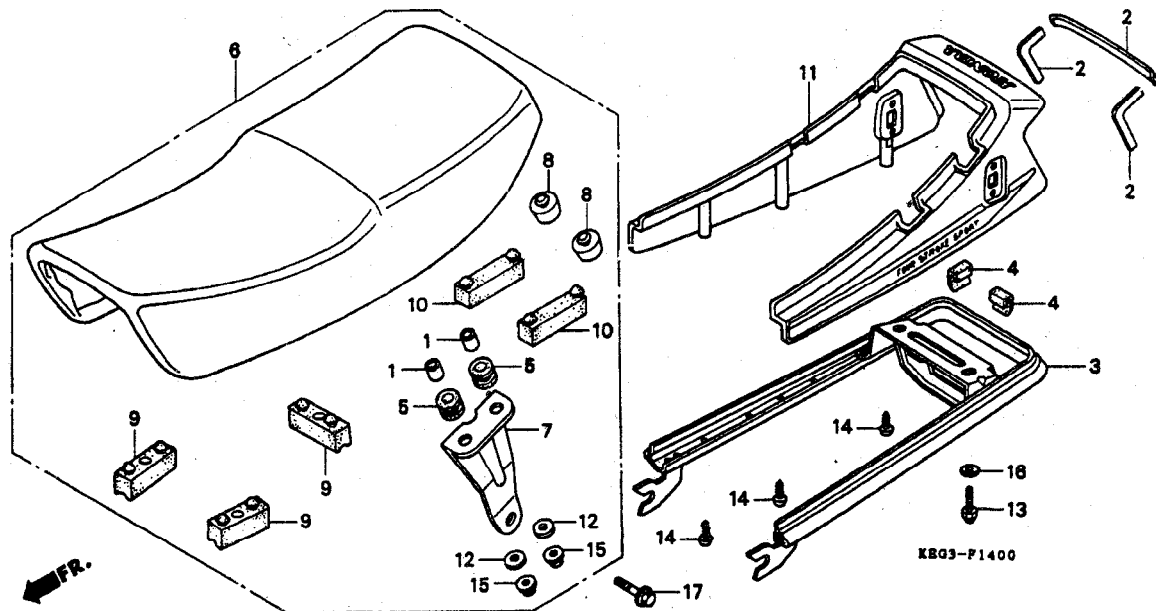


KE69F1300

Service item Bagian yang diservis	F.R.T.	Ref. No. Nomor petunjuk	Part No. Nomor Part	Description Nama - Part	Reqd.No. Jumlah GL Max # GL PRO #	Serial No. Nomor Serie	Notes Catatan												
STRAINER COMP., FUEL .....	0.3	1	16910-GB2-005	STRAINER COMP., FUEL .....	1 1	Color chart for fuel tank set Tabel warna untuk fuel tank set	<table border="1"> <thead> <tr> <th>Type</th> <th>Main color</th> <th>Color label code</th> </tr> </thead> <tbody> <tr> <td>TYPE1</td> <td>Black (NH-1 )</td> <td>NH1K</td> </tr> <tr> <td>TYPE2</td> <td>Vortex purple metallic (RP - 140M)</td> <td>RP140</td> </tr> <tr> <td>TYPE3</td> <td>Tasmania green metallic (G-142M)</td> <td>G 142</td> </tr> </tbody> </table>	Type	Main color	Color label code	TYPE1	Black (NH-1 )	NH1K	TYPE2	Vortex purple metallic (RP - 140M)	RP140	TYPE3	Tasmania green metallic (G-142M)	G 142
Type	Main color	Color label code																	
TYPE1	Black (NH-1 )	NH1K																	
TYPE2	Vortex purple metallic (RP - 140M)	RP140																	
TYPE3	Tasmania green metallic (G-142M)	G 142																	
FUEL UNIT .....		2	16915-GB2-000	SUSPENSION, STRAINER .....	1 1														
COCK ASSY., FUEL .....	0.2	3	16950-KE6-830	COCK ASSY., FUEL .....	1 1														
SCREEN SET, FUEL STRAINER .....		4	16953-155-015	SCREEN SET, FUEL STRAINER .....	1 1														
TANK SET, FUEL .....	0.4	5	16955-KC6-910	TUBE COMP., FUEL (4.5X70) .....	1 1														
CAP COMP., FUEL FILLER .....	0.1	6	16955-KEH-900	TUBE COMP., FUEL (4.5X80) .....	1 1														
		7	17510-KE6-910FMB	TANK SET, FUEL (BLACK) .....	1 1														
			17510-KE6-910FME	TANK SET, FUEL (GREEN) .....	1 1														
			17510-KE6-910FMI	TANK SET, FUEL (VIOLET) .....	1 1														
		8	17508-KC5-000	CUSHION, FUEL TANK CENTER .....	1 1														
		9	17525-KC5-000	COLLAR, FUEL TANK MOUNTING .....	1 1														
		10	17526-KC5-000	RUBBER, FUEL TANK CENTER .....	1 1														
		11	17611-286-000	CUSHION, FUEL TANK FR .....	2 2														
		12	17620-KC5-000	CAP COMP., FUEL FILLER .....	1 1														
		13	37800-KEH-900	FUEL UNIT .....	1 1														
		14	91305-MC7-000	O-RING, 39.5X5 .....	1 1														
		15	93500-04006-00	SCREW, PAN, 4X6 .....	2 2														
		16	93700-03008-0G	SCREW, OVAL, 3X8 .....	4 4														
		1 7	94050-06000	NUT, FLANGE, 6MM .....	4 4														
		18	95002-02080	CLIP, TUBE (88) .....	4 4														
		19	95701-08028-00	BOLT, FLANGE, 8X28 .....	1 1														
		20	87131-KG2-922	EMBLEM, TANK TOP .....	1 1														
		21	87580-KC5-920	MARK, DRIVE CAUTION .....	1 1														

**F-14**

Seat-Rear cowl



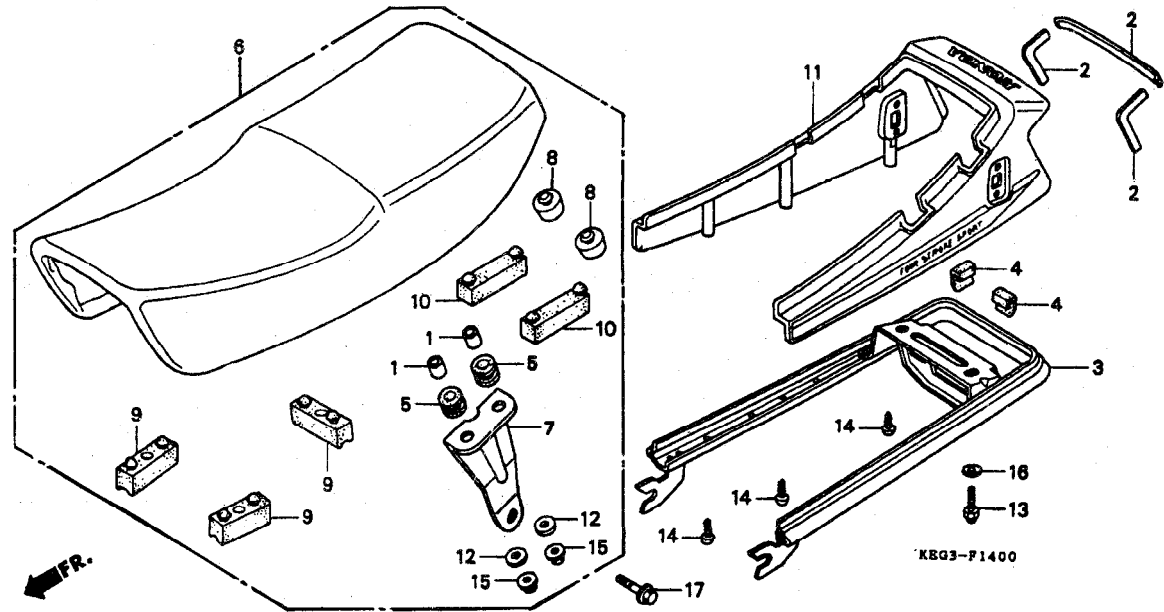
KEG3-F1400

Service item Bagian yang diservis	F.R.T.	Ref. No. Nomor	Part No. Nomor Part	Description Nama- Part	Reqd.No. Jumlah GL Max II GL PRO II	Serial No. Nomor Serie	Notes Catatan											
GRIP COMP., RR.....	0.4	1	33603-053-650	COLLAR, RR. WINKER STAY .....	4 4	<b>Color chart for rear cowl set</b> Tabel warna untuk rear cowl set (GL Max II) <table border="1"> <thead> <tr> <th>Type</th> <th>Main color</th> <th>Color label code</th> </tr> </thead> <tbody> <tr> <td>TYPE1</td> <td>Black (NH-1)</td> <td>N H1K</td> </tr> <tr> <td>TYPE2</td> <td>Vortex purple metallic (RP - 140M)</td> <td>RP140</td> </tr> <tr> <td>TYPE3</td> <td>Tasmania green metallic (G - 142M)</td> <td>G 142</td> </tr> </tbody> </table>	Type	Main color	Color label code	TYPE1	Black (NH-1)	N H1K	TYPE2	Vortex purple metallic (RP - 140M)	RP140	TYPE3	Tasmania green metallic (G - 142M)	G 142
Type	Main color	Color label code																
TYPE1	Black (NH-1)	N H1K																
TYPE2	Vortex purple metallic (RP - 140M)	RP140																
TYPE3	Tasmania green metallic (G - 142M)	G 142																
COWL SET, RR.		2	33706-KC5-000	RUBBER, TAILLIGHT .....	3 3													
EAT COMP., DOUBLE.....	0.1	3	50318-KEH-F00FMB	GRIP COMP., RR. (BLACK).....	1 1													
INC. RELATIVE PART)			50318-KEH-F00FME	GRIP COMP., RR. (GREEN).....	1 1													
TERMASUK PART YANG BERHUBUNGAN)			50318-KEH-F00FMI	GRIP COMP., RR. (VIOLET).....	1 1													
		4	50330-KC5-000	RUBBER, RR. GRIP COVER .....	6 6													
		5	61103-357-000	RUBBER, FR. FENDER MOUNTING...	4 4													
		6	77200-KEH-F00	SEAT COMP., DOUBLE.....	1 1													
		7	77202-KC5-000	STAY, SEAT RR.....	2 2													
		8	77204-286-020	RUBBER A. SEAT SETTING.....	2 2													
		9	77204-292-000	RUBBER, SEAT SETTING.....	3 3													
		10	77205-286-000	RUBBER B, SEAT SETTING .....	2 2													
		11	77215KEG-920FMB	COWL SET, RR. (BLACK).....	1 -													
			77215-KEG-920FME	COWL SET, RR. (GREEN).....	1 -													
			77215-KEG-920FMI	COWL SET, RR. (VIOLET).....	1 -													
			77210-KC5-000FME	COWL SET, RR. (GREEN).....	- 1													
			77210-KC5-000FMI	COWL SET, RR. (GREEN).....	- 1													
			77210-KC5-000FMB	COWL SET, RR. (GREEN).....	- 1													
		12	90563-355-000	WASHER, WHEEL, 6MM.....	4 4													
		13	92501-08020-0B	BOLT, HEX. CAP, 8X20 .....	2 2													
		14	93901-24510	SCREW, TAPPING, 4X20.....	6 6													
		15	94050-06000	NUT, FLANGE, 6MM.....	4 4													
		16	94101-08000	WASHER, PLAIN, 8MM .....	2 2													
		17	95701-08016-17	BOLT, FLANGE, 8X16.....	2 2													

**F 9**

**F-14**

Seat-Rear cowl



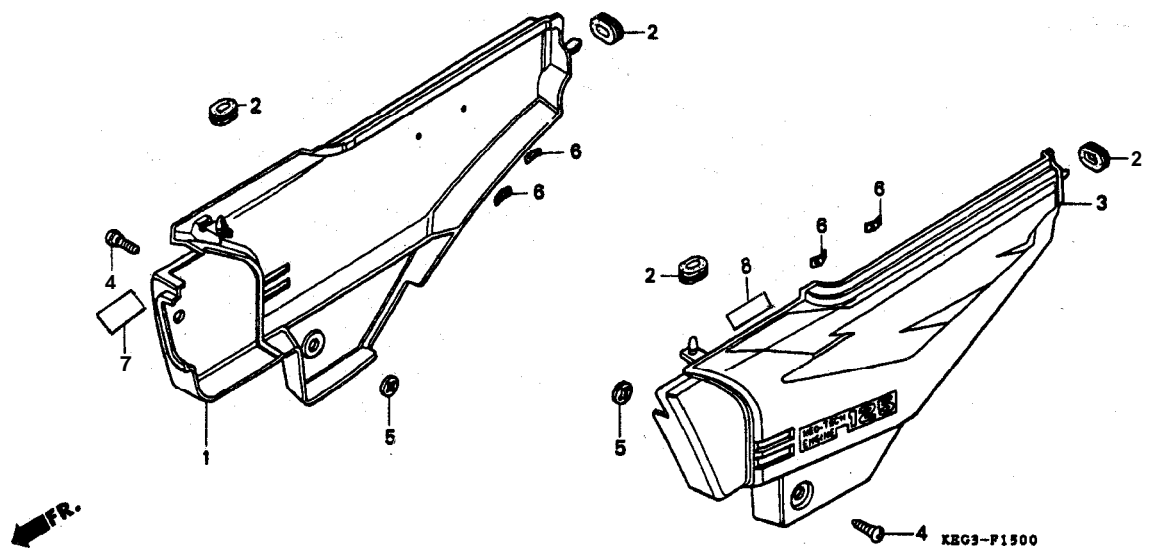
KEG3-F1400

Service item Bagian yang diservis	F. R. T.	Ref. No. Nomor petunjuk	Part No. Nomor Part	Description Nama - Part	Reqd.No. Jumlah GL Max II GL PRO II	Serial No. Nomor Serie	Notes Catatan
		16	94101-08000	WASHER, PLAIN, 8MM.....	2 2		
		17	95701-08016-07	BOLT, FLANGE, 8X16.	2 2		

# F 10

## F-15

Side cover



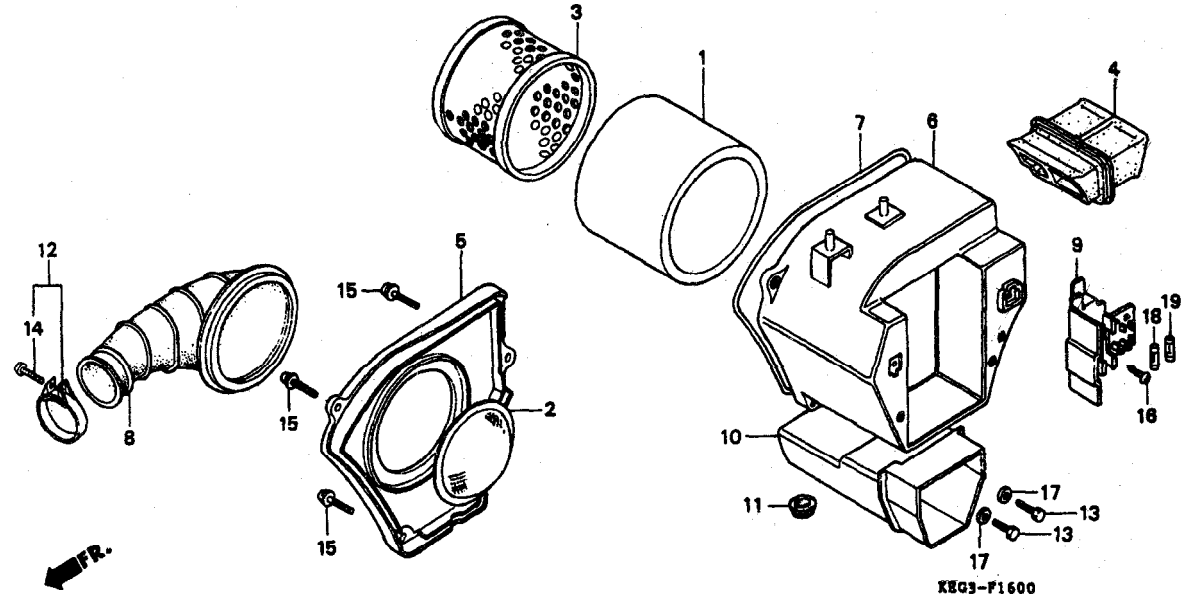
KEG3F1500

Service item Bagian yang diservis	F.R.T.	Ref. No. Nomor petunjuk	Part No. Nomor Part	Description Nama - Part	Reqd.No. Jumlah GL Max    GL PRO	Serial No. Nomor Serie	Notes Catatan																
COVER SET, SIDE..... SAME TIME FOR TWO UNITS) WAKTU SAMA UNTUK DUA UNIT)	0.1	1	83500-KEG-920FMB 83500-KEG-920FME 83500-KEG-920FMI 83540-KEH-900FME 83540-KEH-900FMI 83540-KEH-900FMB	COVER SET, R. SIDE (BLACK) . . . . COVER SET, R. SIDE (GREEN) . . . . . COVER SET, R. SIDE (VIOLET) . . . . COVER SET, R. SIDE (GREEN) . . . . . COVER SET, R. SIDE (VIOLET) . . . . . COVER SET, R. SIDE (BLACK) . . . . .	1 - 1 - 1 - - 1 - 1 - 1	Colot chart for side cover set Tabel warna untuk side cover set	<table border="1"> <thead> <tr> <th>Type</th> <th>Main color</th> <th>Part color</th> <th>Color label code</th> </tr> </thead> <tbody> <tr> <td>TYPE1</td> <td>Black (NH-1 )</td> <td>Black/Mat black</td> <td>NH1K</td> </tr> <tr> <td>TYPE2</td> <td>Vortex purple metallic ( RP - 140M )</td> <td>Vortex purple metallic/ Mat black</td> <td>RP140</td> </tr> <tr> <td>TYPE3</td> <td>Tasmania green metallic (G-142M)</td> <td>Tasmania green metallic/ Mat black</td> <td>G 142,</td> </tr> </tbody> </table>	Type	Main color	Part color	Color label code	TYPE1	Black (NH-1 )	Black/Mat black	NH1K	TYPE2	Vortex purple metallic ( RP - 140M )	Vortex purple metallic/ Mat black	RP140	TYPE3	Tasmania green metallic (G-142M)	Tasmania green metallic/ Mat black	G 142,
Type	Main color	Part color	Color label code																				
TYPE1	Black (NH-1 )	Black/Mat black	NH1K																				
TYPE2	Vortex purple metallic ( RP - 140M )	Vortex purple metallic/ Mat black	RP140																				
TYPE3	Tasmania green metallic (G-142M)	Tasmania green metallic/ Mat black	G 142,																				
		2	83551-300-000	GROMMET, AIR CLEANER CASE . . . . .	4 4																		
		3	83600-KEG-900FMB 83600-KEG-900FME 83600-KEG-900FMI 83640-KEH-900FME 83640-KEH-900FMI 83640-KEH-900FMB	COVER SET, L. SIDE (BLACK) . . . . . COVER SET, L. SIDE (GREEN) . . . . . COVER SET, L. SIDE (VIOLET) . . . . . COVER SET, L. SIDE (GREEN) . . . . . COVER SET, L. SIDE (VIOLET) . . . . . COVER SET, L. SIDE (BLACK) . . . . .	1 - 1 - 1 - - 1 - 1 - 1																		
		4	90141-KEH-900	SCREW, SIDE COVER.....	2 2																		
		5	90315-504-000	NUT, SPEED, 3MM.....	4 4																		
		6	90310-GC8-000	NUT, SPEED, 6MM.....	2 2																		
		7	1630%KC5300	EMBLEM, CARBURATOR COVER	1 1																		
		8	87506-KC5-920	MARK, BATTERY CAUTION	1 1																		

F 11

F-16

Air cleaner



KEG3-F1600

KEG1100

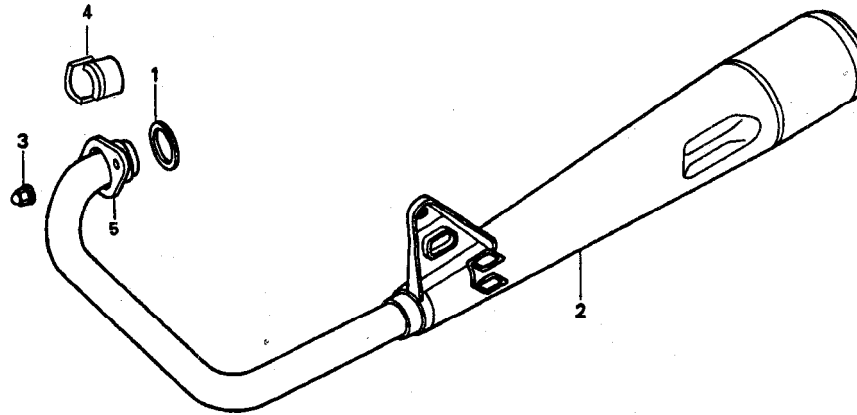
Service item Bagian yang diservis	F.R.T.	Ref. No. Nomor petunjuk	Part No. Nomor Part	Description Nama - Part	Reqd.No. Jumlah Gl. Max # Gl. PRO #	Serial No. Nomor Serie	Notes Catatan
ELEMENT, AIR CLEANER.....	0.2	1	17211 -KC5-000	ELEMENT, AIR CLEANER .....	1 1		
(INC. RELATIVE PART)		2	17212-KC5-000	TRAP COMP .....	1 1		
(TERMASUK PART YANG BERHUBUNGAN)		3	17213-KEH-900	TUBE, AIR CLEANER ELEMENT .....	1 1		
. COVER, AIR CLEANER CASE		4	17218-KEH-900	DUCT, AIR CLEANER IN.....	1 1		
. TUBE, AIR CLEANER CONNECTING		5	17220-KC5-920	COVER, AIR CLEANER CASE .....	1 1		
CASE, AIR CLEANER.....	0.5	8	17221 -KG2-910	CASE, AIR CLEANER .....	1 1		
BOX, TOOL.....	0.1	7	17226-KC5-000	SEAL, AIR CLEANER.....	1 1		
		8	17253-KC5-010	TUBE, AIR CLEANER CONNECTING	1 1		
		9	32113-KEH-900	HOLDER, FUSE.....	1 1		
		10	83501-KC5-000	BOX, TOOL.....	1 1		
		11	83551-300-000	GROMMET, AIR CLEANER CASE .....	1 1		
		12	90652-GHB-660	BAND, AIR CLEANER CONNECTING			
				TUBE (46)	1 1		
		13	92101-05020-0A	BOLT, HEX., 5X20 .....	2 2		
		14	93500-04025-0G	SCREW, PAN, 4X25 .....	1 1		
		15	93891-05020-18	SCREW-WASHER, 5X20.....	3 3		
		16	93901-24310	SCREW, TAPPING, 4X12.....	1 1		
		17	94101-05000	WASHER, PLAIN, 5MM.....	2 2		
		18	98200-I 1000	FUSE, A (10A).....	1 1		
		19	98200-I 1500	FUSE (15A).....	1 1		



# F 12

F--I 7

Exhaust muffler



FR.

KEG3-F1700

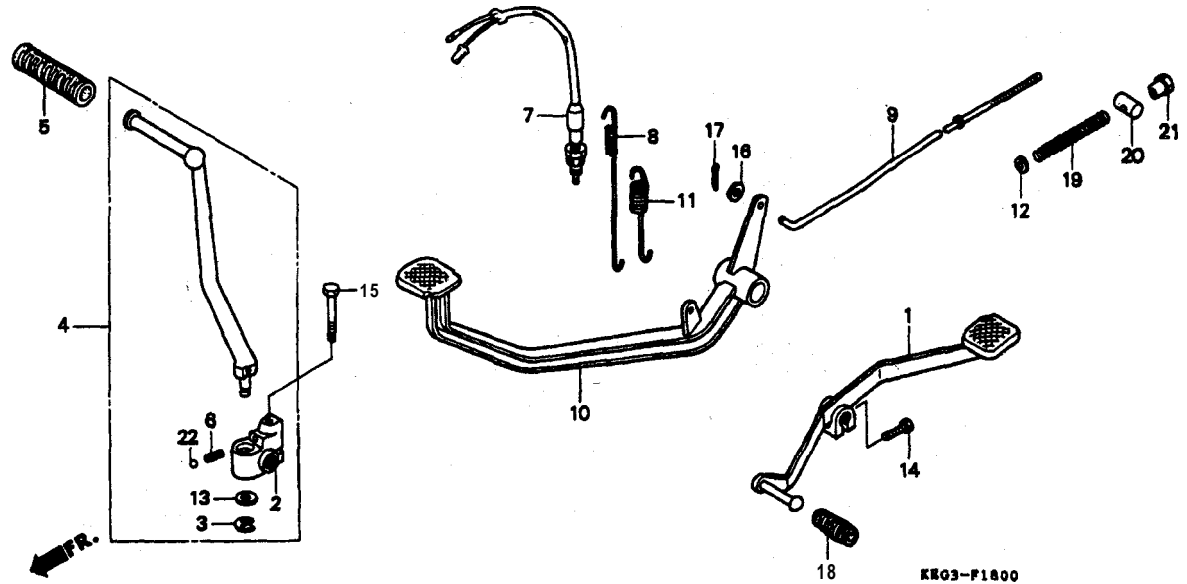
KEG3F1700

Service item Bagian yang diservis	F.R.T.	Ref. No. Nomor petunjuk	Part No. Nomor Part	Description Nama - Part	Reqd.No. Jumlah GL Max I GL PRO I	Serial No. Nomor Serie	Notes Catatan
MUFFLER COMP., EX.....	0.2	1	18291-MN5-650	GASKET, EX. PIPE .....	1 1		
		2	18300-KEG-900	MUFFLER COMP., EX	. 1 -		
			18300-KEH-900	MUFFLER COMP., E	X - 1		
		3	90304-KCT-690	NUT, HEX. CAP, 7MM	. 2 2		
		4	18233-KC5-000	COLLAR, EX. PIPE JOINT	. 2 2		
		5	18231 -KCT-690	JOINT, E X H A U S T P I P E	1 1		

**F 13**

**F - 18**

Peda I



KEG3-F1800

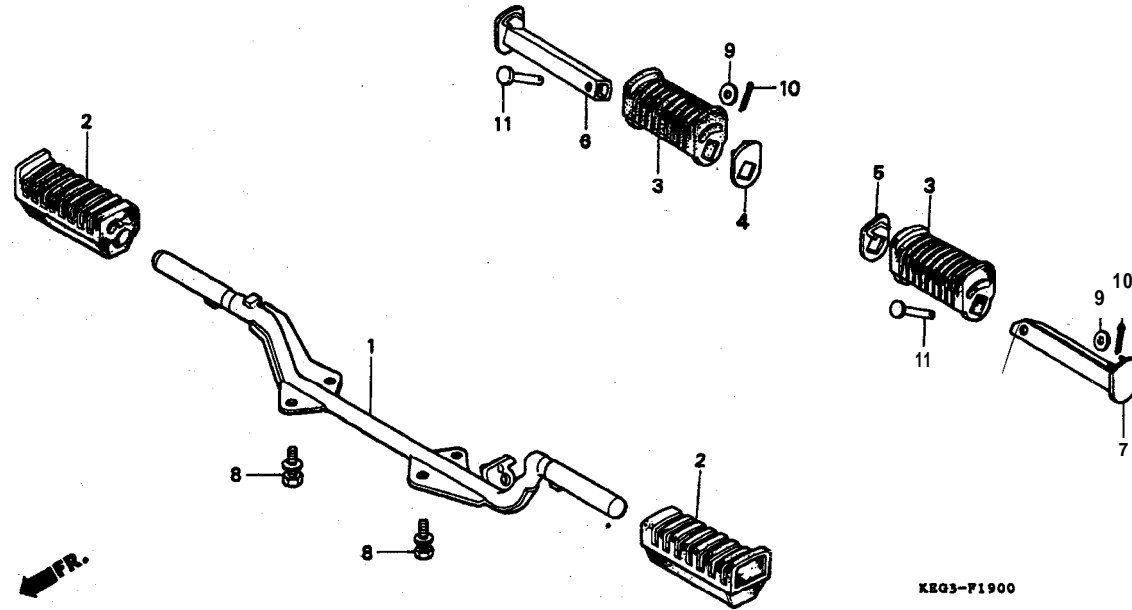
KEG3F1800

Service item Bagian yang diservis	F.R.T.	Ref. No. Nomor petunjuk	Part No. Nomor Part	Description Nama - Part	Reqd.No. Jumlah Gl. Max II Gl. PRO II	Serial No. Nomor Serie	Notes Catatan
PEDAL, GEAR CHANGE.....	0.1	1	24701-KEH-F00	PEDAL, GEAR CHANGE.....	1 1		
ARM ASSY., KICK STARTER INC. RELATIVE PART)		2	28241-KC5-010	JOINT, KICK ARM.....	1 1		
TERMASUK PART YANG BERHUBUNGAN)		3	28293-333-000	CLIP, KICK STARTER ARM.....	1 1		
SWITCH ASSY., RR. STOP.....	0.2	4	28300-KC5-010	ARM ASSY., KICK STARTER.....	1 1		
ROD, RR. BRAKE.....	0.4	5	2831 1-KC5-000	RUBBER, KICK STARTER.....	1 1		
PEDAL, BRAKE		6	28333-1 24-000	SPRING, KICK STARTER STOPPER	1 1		
		7	35350-KG2-950	SWITCH ASSY., RR. STOP.....	1 1		
		8	35357-KC5-000	SPRING, STOP SWITCH.....	1 1		
		9	43451-KEH-900	ROD, RR. BRAKE.....	1 1		
		10	46500-KC5-000	PEDAL, BRAKE.....	1 1		
		11	46514-383-830	SPRING, BRAKE PEDAL.....	1 1		
		12	90502-GN5-920	WASHER, 11MM.....	1 1		
		13	90505.1 16-670	WASHER, 13X20.....	1 1		
		14	92101-06020-0A	BOLT, HEX., 8X20.....	1 1		
		15	92101-08040-0A	BOLT, HEX., 8X40.....	1 1		
		16	94101-05000	WASHER, PLAIN, 5MM.....	1 1		
		17	94201-20150	PIN, SPLIT, 2.0X15.....	1 1		
		18	95011-40000	RUBBER, GEAR CHANGE.....	1 1		
		19	95014-73100	SPRING A, BRAKE ROD.....	1 1		
		20	95015-32001	JOINT B, BRAKE ARM.....	1 1		
		21	95015-42000	NUT B, BRAKE ROD ADJUSTING.....	1 1		
		22	96211-08000	BALL, STEEL, #8 (1/4).....	1 1		

# F 14

## F - 19

Step

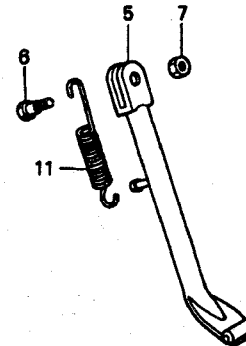
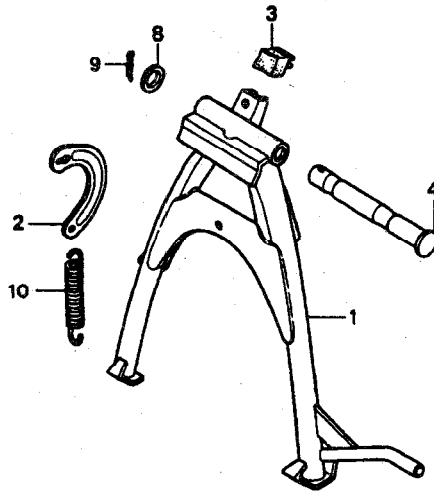


Service item Bagian yang diservis	F.R.T.	Ref. No. Nomor petunjuk	Part No. Nomor Part	Description Nama - Part	Reqd.No. Jumlah Gl. Max    Gl. PRO	Serial No. Nomor Serie	Notes Catatan
BAR COMP., STEP.....		1	50610-KC5-920FMB	BAR COMP., STEP (BLACK).....	1 1		
0.4		2	50661-KC5-000	RUBBER, STEP.....	2 2		
BAR, R. PILLION STEP.....		3	50710-461-770	RUBBER, PILLION STEP.....	2 2		
0.1		4	50712-KC5-000	WASHER, R. PILLION STEP.....	1 1		
(INC. RELATIVE PART) (TERMASUK PART YANG BERHUBUNGAN)		5	50713-KC5-000	WASHER, L. PILLION STEP.....	1 1		
BAR, L. PILLION STEP.....		6	50715-KEH-900	BAR, R. PILLION STEP.....	1 1		
(INC. RELATIVE PART) (TERMASUK PART YANG BERHUBUNGAN)		7	50718-KEH-900	BAR, L. PILLION STEP.....	1 1		
		8	93412-08020-00	BOLT-WASHER, 8X20.....	4 4		
		9	94101-06000	WASHER, PLAIN, 6MM.....	2 2		
		10	94201-16150	PIN, SPLIT, 1.6X15.....	2 2		
		11	95015-83000	PIN C, PILLION STEP.....	2 2		

F 15

F - 20

Stand



KEG3-P2000

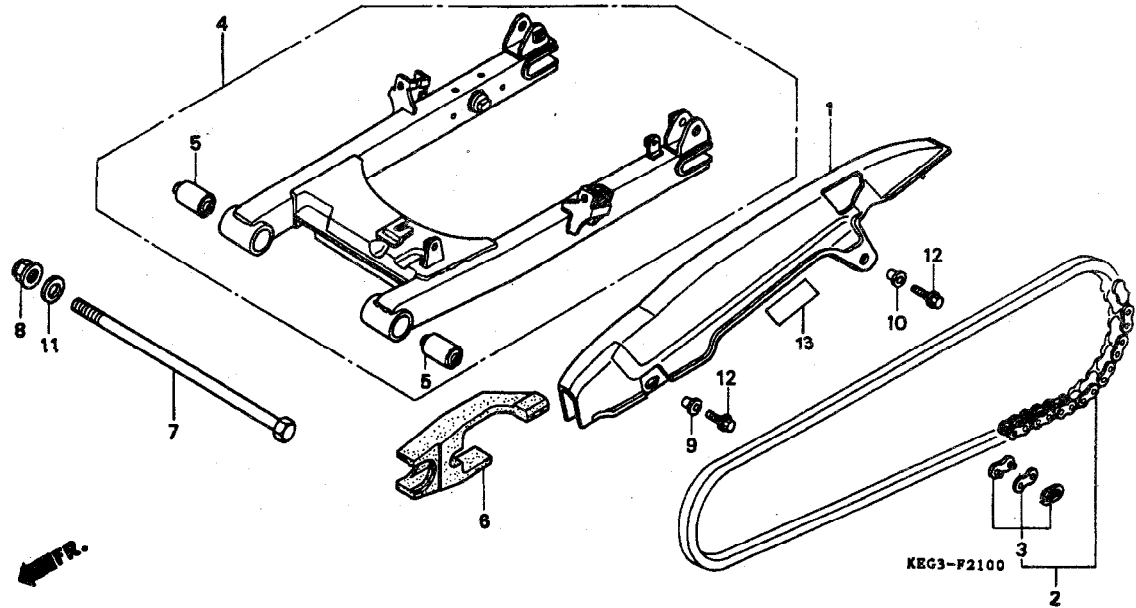
KEGIF2000

Service item Bagian yang diservis	F.R.T.	Ref. No. Nomor petunjuk	Part Wo. Nomor Part	Description Nama - Part	Reqd.No. Jumlah GL Max II GL PRO II	Serial No. Nomor Serie	Notes Catatan
STAND COMP., MAIN.....	a 0.5	1	50500-KEH-900	STAND COMP., MAIN.....	1	1	
HOOK COMP., SIDE.....	C0.2	2	50523-KC5-000	HOOK, MAIN STAND SPRING.....	1	1	
RUBBER B, MAIN STAND		3	50524-397-000	RUBBER, STAND STOPPER.....	1	1	
PIPE 4 SIDE STAND.....	C 0.1	4	50526-383-670	PIPE, MAIN STAND PIVOT.....	1	1	
		5	50530-KEH-900	STAND COMP., SIDE.....	1	1	
		6	90107-GN1-010	SCREW; SIDE STAND PIVOT.....	1	1	
		7	90304-GE8-003	NUT, U, 10MM.....	1	1	
		6	90521-028-000	WASHER, 17X22.....	1	1	
		9	94201-30250	PIN, SPLIT, 3.0X25.....	1	1	
		10	95014-71202	SPRING B, MAIN STAND.....	1	1	
		11	95014-72102	SPRING A, SIDE STAND.....	1	1	

**F 16**

**F-21**

Swingarm·Chain case



KEG3F160

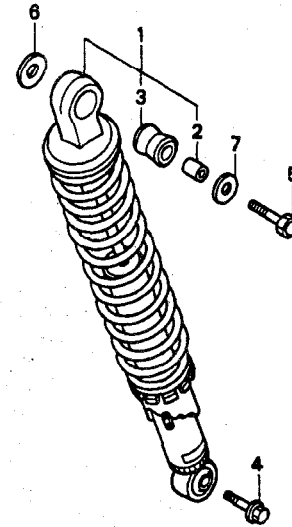
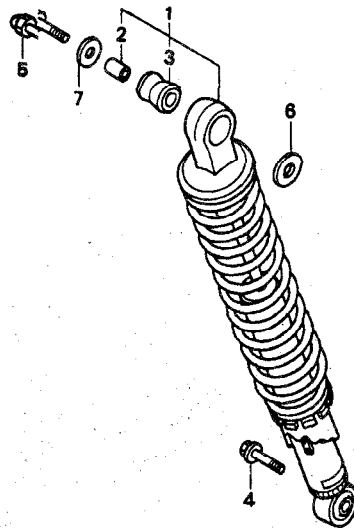
Service item Bagian yang diservis	F.R.T.	Ref. No. Nomor petunjuk	Part No. Nomor Part	Description Nama - Part	Reqd.No. Jumlah GL Max II GL PRO II	Serial No. Nomor Serie	Notes Catatan
CASE, DRIVE CHAIN.....	0.1	1	40510-KEH-900	CASE, DRIVE CHAIN.....	1 1		
CHAIN, DRIVE.....	0.2	2	40530-KEH-900	CHAIN, DRIVE (428HG -112).....	1 1		
SWINGARM ASSY., RR.....	0.8	3	40531-355-013	JOINT, DRIVE CHAIN (428H).....	1 i		
BUSH, RR. FORK PIVOT.....	1.1	4	52100-KEH-900	FORK ASSY., RR.....	1 1		
(SAME TIME FOR TWO UNITS) (WAKTUSAMA UNTUK DUA UNIT)		5	52147-KC5-000	BUSH, RR. FORK PIVOT.....	2 2		
		6	52170-KEH-900	SLIDER, DRIVE CHAIN.....	1 1		
		7	90121-KEH-900	BOLT, RR. FORK PIVOT.....	1 1		
		8	90306-GBG-900	NUT, SPECIAL, 12MM.....	1 1		
		9	90513-405-000	WASHER, 6X9.....	1 1		
		10	90563-KC5-000	WASHER, CHAIN CASE SETTING.....	1 1		
		11	94102-12000	WASHER, PLAIN, 12MM.....	1 1		
		12	95701-06012-07	BOLT, FLANGE, 6X12.....	2 2		
		13	87505-KEH-900	LABEL, TIRE.....	1 1		

**G 1**

**F - 22**

Rear cushion

←FR.



KEG3-P2200

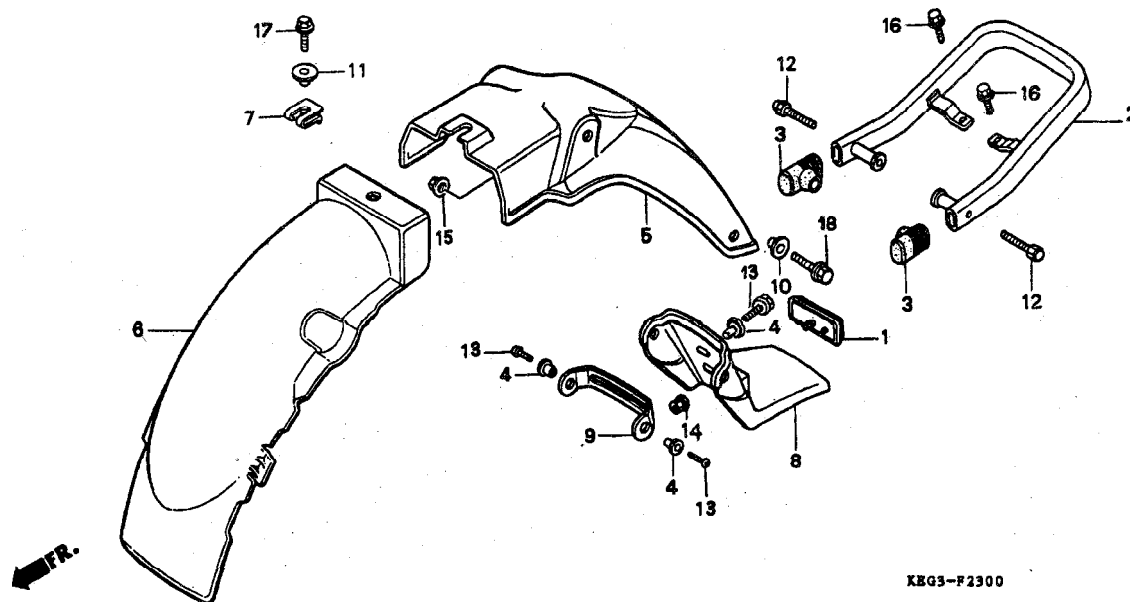
KEGIF200

Service item Bagian yang diservis	F.R.T.	Ref. No. Nomor petunjuk	Part No. Nomor Part	Description Nama - Part	Reqd.No. Jumlah GL Max II GL PRO II	Serial No. Nomor Serie	Notes Catatan
CUSHION ASSY., RR.....	0.1	1	52400-KEH-900	CUSHION ASSY., RR.....	2 2		
		2	52486-056-000	COLLAR. RR. CUSHION RUBBER BUSH	2 2		
		3	52489-399-601	BUSH, UPPER RUBBER.....	2 2		
		4	90108-KC5-000	BOLT, RR. CUSHION UNDER.....	2 2		
		5	92501-08020-0B	BOLT, HEX. CAP, 8X20.....	2 2		
		6	94101-12000	WASHER, PLAIN, 12MM.....	2 2		
		7	94103-08200	WASHER, PLAIN, 8MM.....	2 2		

**G 2**

**F-23**

Rear fender



KEG3-F2300

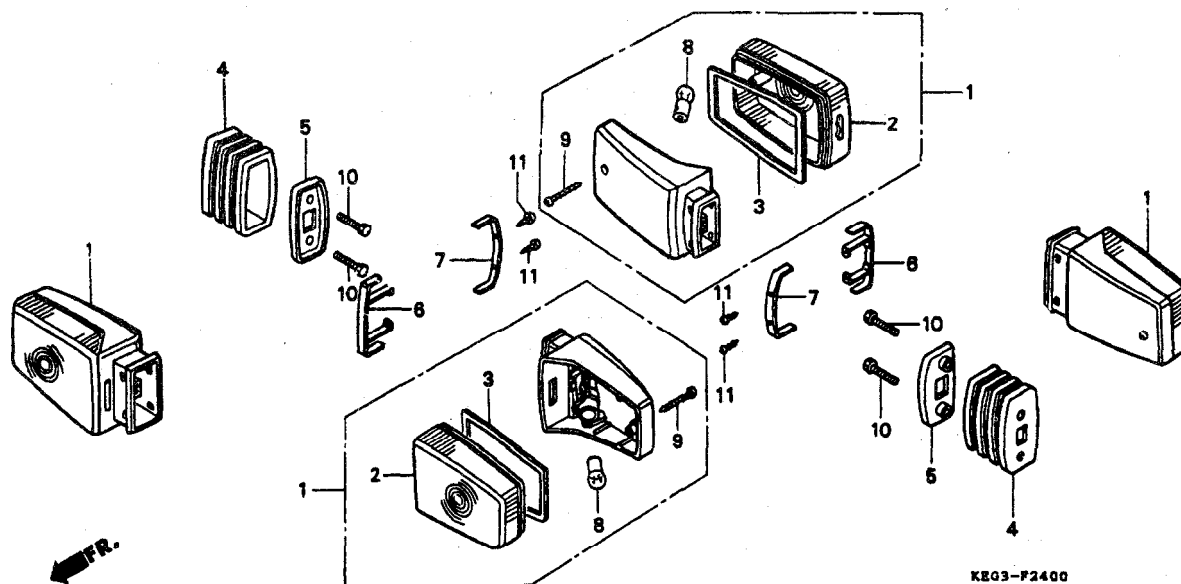
KEG3F230

Service item Bagian yang disetvis	F.R.T.	Ref. No. Nomor petunjuk	Part No. Nomor Part	Description Nama - Part.	Reqd.No. Jumlah GL Max# Gt PRO#	Serial No. Nomor Serie	Notes Catatan
PIPE, RR. GRIP.....		1	33741-KG2-910	REFLECTOR, RR. REFLEX.....	1 1		
PIPE, RR. GRIP.....		2	50400-KG2-960FMB	PIPE, RR. GRIP (BLACK).....	1 1		
FENDER A, RR.....		3	50401-KG2-950	COVER, RR. GRIP PIPE.....	2 2		
FENDER A, RR.....		4	61304 379690	COLLAR, HEADLIGHT SETTING.....	3 3		
FENDER B		5	80100-KEH-900	FENDER A, RR.....	1 1		
MUDGUARD, RR. FENDER.....		6	80101-KC5-000	FENDER B.....	1 1		
MUDGUARD, RR. FENDER.....		7	80105-KC5-000	BRACKET, FENDER NUT.....	1 1		
MUDGUARD, RR. FENDER.....		8	80122-KEH-900	MUDGUARD, RR. FENDER.....	1 1		
MUDGUARD, RR. FENDER.....		9	80122-KEH-900	STAY, MUDGUARD.....	1 1		
MUDGUARD, RR. FENDER.....		10	90006-KC5-000	COLLAR A, FENDER SETTING.....	2 2		
MUDGUARD, RR. FENDER.....		11	90007-KC5-000	COLLAR B, FENDER SETTING.....	1 1		
MUDGUARD, RR. FENDER.....		13	93500-06040 -00	SCREW, PAN 6X40.....	2 2		
MUDGUARD, RR. FENDER.....		14	93500-05012-0G	SCREW, PAN, 5X12.....	3 3		
MUDGUARD, RR. FENDER.....		15	94050-06000	NUT, FLANGE, 6MM.....	1 1		
MUDGUARD, RR. FENDER.....		16	94050-08000	NUT, FLANGE, 8MM.....	2 2		
MUDGUARD, RR. FENDER.....		18	95701-06016-00	BOLT, FLANGE, 6X16.....	2 2		
MUDGUARD, RR. FENDER.....		19	95701-06018-00	BOLT, FLANGE, 6X18.....	1 1		
MUDGUARD, RR. FENDER.....		20	95701-08025-00	BOLT, FLANGE, 8X25.....	2 2		

G 3

F - 24

Winker



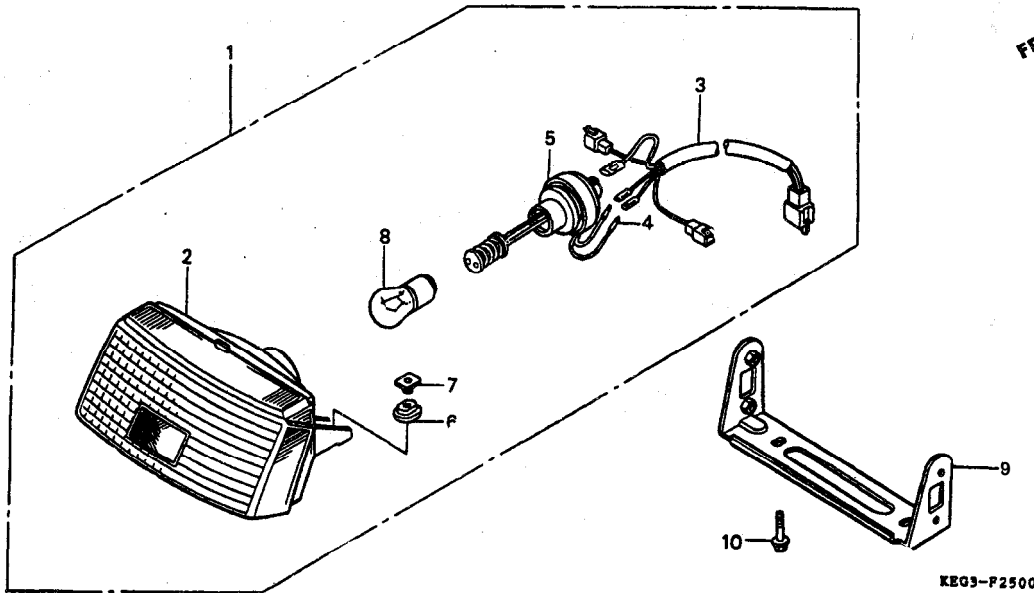
KEG1F2100

Service item Bagian yang diservis	F.R.T.	Ref. No. Nomor petunjuk	Part No. Nomor Part	Description Nama - Part	Reqd.No. Jumlah Gt Max   GL PRO I	Serial No. Nomor Serie	Notes Catatan
<b>WINKER ASSY</b> .....		1	33400-KEH-900	WINKER ASSY .....	4 4		
0,2			33402-KG2-910	LENS, WINKER .....	4 4		
(ADD 0.1 FOR EACH.)			33406-KC5-003	GASKET, WINKER LENS .....	4 4		
<b>(TAMBAHKAN 0,1 UNTUK MASING-MASING)</b>		4	3384 1 -KC5-000	RUBBER, WINKER SETTING .....	4 4		
(INC. RELATIVE PART)		5	33643-KC5-000	<b>PLATE</b> , WINKER SETTING .....	4 4		
<b>(TERMASUK PART YANG BERHUBUNGAN)</b>							
(EXC. RELATED PARTS BELOW)		6	33646-KC5-000	BAND A, WINKER SETTING .....	4 4		
<b>(TIDAK TERMASUK PART YANG</b>		7	33647-KC5-000	BAND B, WINKER SETTING .....	4 4		
BERHUBUNGAN DIBAWAH)		8	34905-271-000	BULB, WINKER (12V <b>10W</b> ) .....	4 4		
<b>1 BULB, WINKER</b> .....		9	90156-KC5-000	SCREW, TAPPING, 3X28 .....	4 4		
0,1		10	9210% 05016-0A	BOLT, HEX., 5X16 .....	8 8		
<b>(SAME TIME FOR TWO UNITS OR MORE)</b>							
<b>(WAKTUSAMA UNTUK DUA UNIT,</b>		11	93901-22280	SCREW, TAPPING, 3X10 .....	8 8		
<b>ATAU LEBIH)</b>							



F - 25

Tai Light



KEG3-P2500

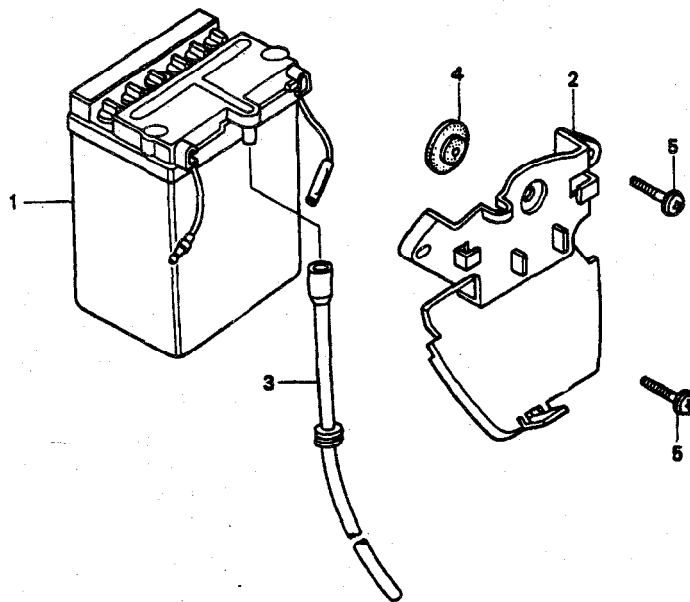
KEGIFES40

Service item Bagian yang diservis	F.R.T.	Ref. No. Nomor petunjuk	Part No. Nomor Part	Description Nama - Part	Reqd.No. Jumlah GL Max II GL PRO II	Serial No. Nomor Serie	Notes Catatan
TAILLIGHT ASSY.....		1	33700-KEH-900	TAILLIGHT ASSY.....	1 1		
0.4		2	33701-KC5-003	BASE COMP., TAILLIGHT.....	1 1		
. BASE COMP., TAILLIGHT		3	33704-KEH-900	SUB CORD, TAILLIGHT.....	1 1		
. BRACKET, RR. WINKER		4	33708-147-003	CORD COMP., TAILLIGHT.....	1 1		
SUB CORD, TAILLIGHT.....		5	33710-415-003	SOCKET COMP., STOP & TAILLIGHT	1 1		
0.2		6	33712-KC5-003	GROMMET, TAILLIGHT MOUNTING	2 2		
. CORD COMP., TAILLIGHT		7	33713-KC5-003	NUT, TAILLIGHT MOUNTING.....	2 2		
. SOCKET COMP., STOP & TAILLIGHT		8	34906-GB6-921	BULB, TAILLIGHT (12V 18/5W).....	1 1		
BULB, WINKER.....		9	84702-KEH-900	BRACKET, RR. WINKER.....	1 1		
0.1		10	95701-06014-00	BOLT, FLANGE, 6X14.....	2 2		

**G 5**

**F - 26**

Battery



KEG3-F2600

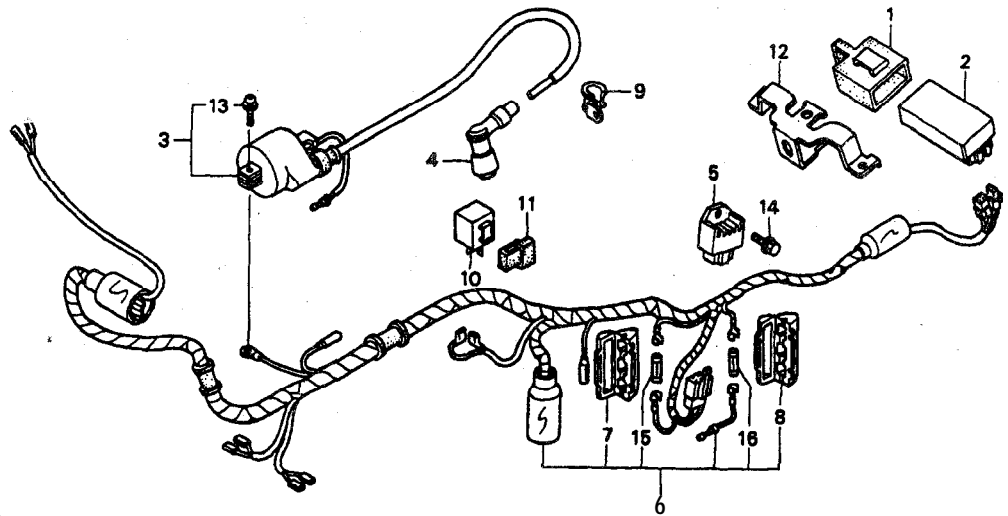
KEG3110

Service item Bagian yang diservis	F.R.T.	Ref. No. Nomor petunjuk	Part No. Nomor Part	Description Nama - Part	Reqd.No. Jumlah GL Max I GL PRO I	Serial No. Nomor Serie	Notes Catatan
BATTERY ASSY.....		1	31500-KC5-010	BATTERY ASSY. (YB2.5L-C-2).....	1	1	
1.2 HOLDER, BATTERY.....		2	31501-KC5-000	HOLDER, BATTERY.....	1	1	
J.1		3	31502-KEH-900	TUBE, BATTERY BREATHER.....	1	1	
		4	83618-323-000	RUBBER, BATTERY BOX.....	1	1	
		5	93891-05020-18	SCREW - WASHER, 5X20.....	2	2	

**G 6**

**F-27**

Wire harness



KEG3-F2700

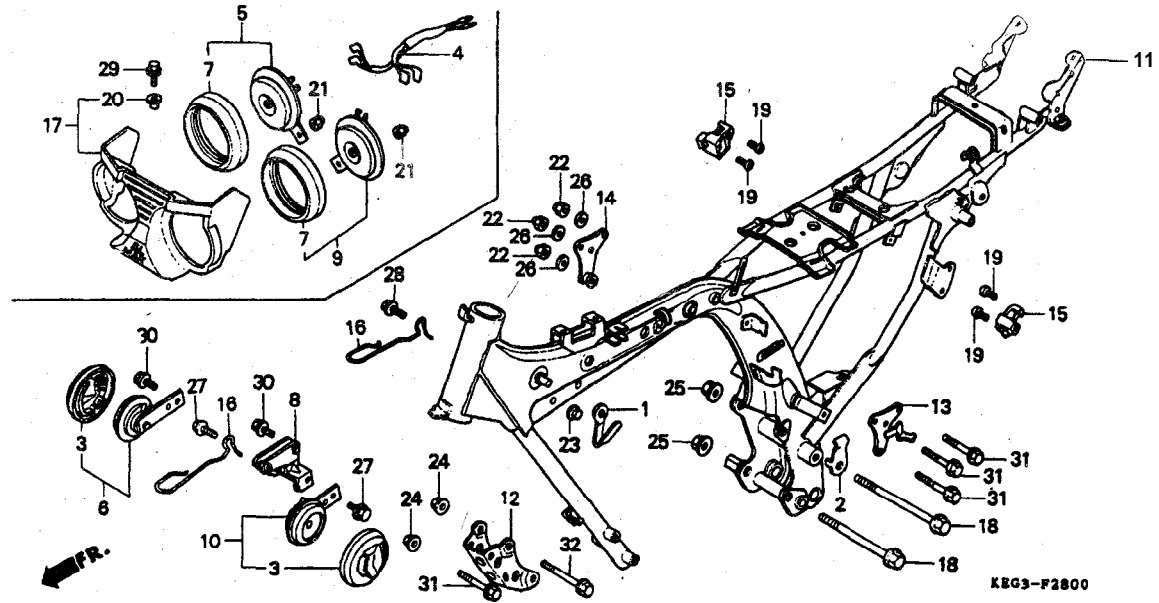
KEG3F2700

Service item Bagian yang diservis	F.R.T.	Ref. No. Nomor petunjuk	Part No. Nomor Part	Description Nama - Part	Reqd.No. Jumlah GL. Max. II GL. PRO. II	Serial No. Nomor Serie	Notes Catatan
C.D.I. UNIT .....	0.4	1	30401-KEH-900	CUSHION, C.D.I. UNIT.....	1 1		
COIL ASSY., IGNITION .....		2	30410-KEH-900	C.D.I. UNIT.....	1 1		
RECTIFIER COMP., REGULATE.....	0.3	3	30510-KEH-900	COIL ASSY., IGNITION.....	1 1		
HARNESS, WIRE .....	0.9	4	30700-GN5-961	CAP ASSY., NOISE SUPPRESSOR....	1 1		
RELAY COMP., WINKER.....	0.1	5	31600-KCS-004	RECTIFIER COMP., REGULATE (SHINDENGEN)	1 1		
		6	321 00-KEG-900	HARNESS, WIRE.....	1 -		
			32100-KEH-900	HARNESS, WIRE.....	- 1		
		7	32120-383-830	CASE, FUSE (10A).....	1 1		
		8	32120-465-000	CASE, FUSE (15 A).....	1 1		
		9	32906-KC6-950	CLIP, HIGH TENSION CORD.....	1 1		
		10	38301-GBG-911	RELAY COMP., WINKER.....	1 1		
		11	38306-KJ6-740	SUSPENSION, WINKER RELAY .....	1 1		
		12	50131-KEH-900	STAY, C.D.I. UNIT.....	1 1		
		13	93892-05020-00	SCREW - WASHER, 5X20.....	2 2		
		14	95701-06012-00	BOLT, FLANGE, 6X12.....	1 1		
		15	98200-I 1000	FUSE A (10A).....	1 1		
		16	98200- 11500	FUSE (15A) .....	1 1		

**G 7**

**F - 28**

Frame body



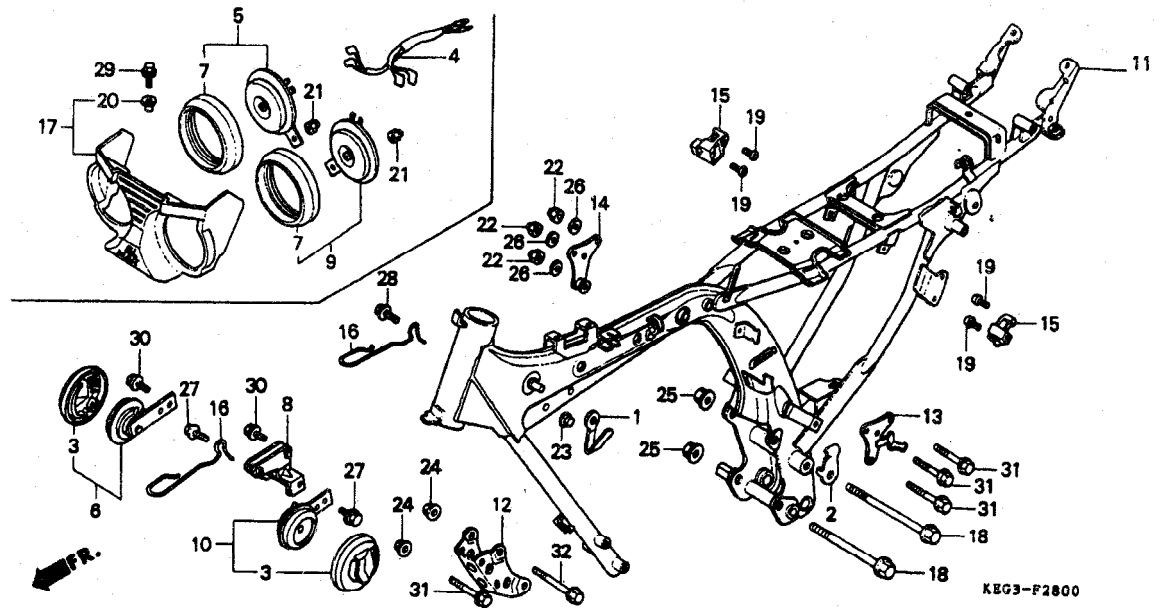
KEG3-F2800

Service item Bagian yang diservis	F.R.T.	Ref. No. Nomor	Part No. Nomor Part	Description Nama - Part	Reqd.No. Jumlah GL Max    GL PRO #	Serial No. Nomor Serie	Notes Catatan
<b>HORN ASSY</b> .....	0.1	1	<b>32173-369-000</b>	CLIP C, WIRE HARNESS .....	1 1		
(SAME TIME FOR TWO UNITS) (WAKTU SAMA UNTUK DUA UNIT)		2	32907-383-830	CLIP, A.C. GENERATOR CORD .....	1 1		
<b>BODY COMP., FRAME</b> .....	5.0	3	<b>38101-KG2-910</b>	COVER, HORN .....	- 2		
<b>PLATE, FR. ENGINE HANGER</b> .....	0.2	4	<b>38105-KC6-920</b>	SUB HARNESS, HORN .....	1 -		
<b>HOLDER ASSY., HELMET</b>		5	<b>381 10-KC6-F00</b>	HORN ASSY. (HIGH) .....	1 -		
		6	381 10-KG2-F00	HORN ASSY. (HIGH) .....	- 1		
		7	3811%MJ8-670	RING, HORN .....	2 -		
		8	<b>38115-KC5-921</b>	STAY, HORN .....	- 1		
		9	<b>38120-KC6-F00</b>	HORN ASSY. (LOW) .....	1 -		
		10	<b>38120-KG2-F00</b>	HORN ASSY. (LOW) .....	- 1		
		11	<b>50100-KEH-F00FMB</b>	<b>BODY COMP., FRAME (BLACK)</b> .....	1 1		
		12	<b>50351-KEH-900FMB</b>	<b>PLATE FR. ENGINE HANGER (BLACK)</b>	1 1		
		13	<b>50352-KEH-900</b>	<b>PLATE COMP., L. ENGINE HANGER</b>			
		14	<b>50354-KEH-900</b>	<b>PLATE COMP., R. ENGINE HANGER</b>			
		15	50710-086-007	<b>HOLDER ASSY., HELMET</b>			
				(HONDA LOCK)	2 2		
		16	50721 -KC5-000	GUIDE, CLUTCH CABLE .....	1 1		
		17	<b>61350-KC6-920</b>	COVER, HORN .....	1 -		
		18	<b>90019-399-010</b>	BOLT, FLANGE, 10X110 .....	2 2		
		19	<b>90150-GA6-700</b>	SCREW, TORX PAN, 6X8 .....	4 4		
		20	<b>90563-KC5-000</b>	WASHER, CHAIN CASE SETTING .....	1 -		

G 8

F - 28

Frame body



KEG3-F2800

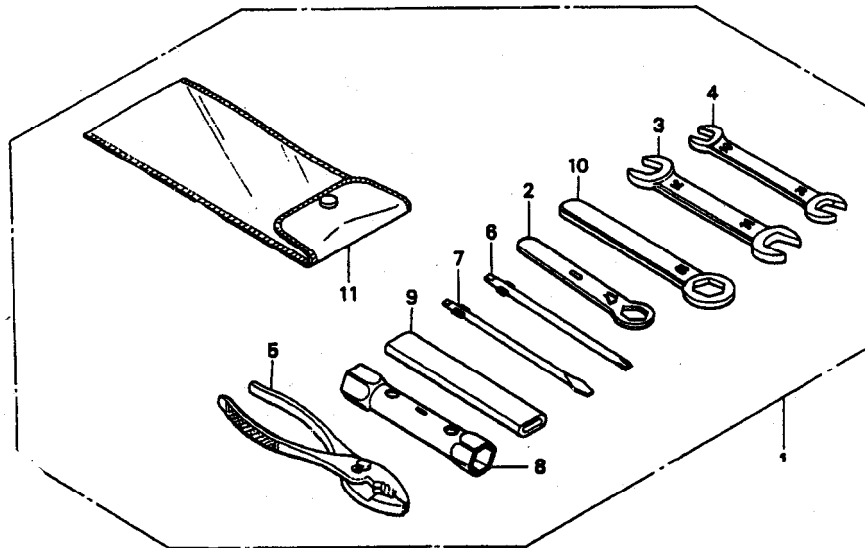
KEGIF1119

Service item Bagian yang diservis	F. R. T.	Ref. No. Nomor petunjuk	Part No. Nomor Part	Description Nama - Part	Reqd.No. Jumlah GL Max # GL PRO #	Serial No. Nomor Serie	Notes Catatan
		21	94021-06000-0S	NUT, CAP, 6MM.....	2 -		
		22	94021-08090-0S	NUT, CAP, 8MM.....	3 3		
		23	94050-06080	NUT, FLANGE, 6MM.....	1 -		
		24	94050-08000	NUT, FLANGE, 8MM.....	4 4		
		25	94050-10000	NUT, FLANGE, 10MM.....	2 2		
		26	94101-08000	WASHER, PLAIN, 8MM.....	3 3		
		27	95701-06010-00	BOLT, FLANGE, 6X10.....	- 2		
		28	95701-06016-00	BOLT, FLANGE, 6X16.....	1 -		
		29	95701-06016-08	BOLT, FLANGE, 6X16.....	1 -		
		30	95701-06018-00	BOLT, FLANGE, 6X18.....	- 2		
		31	95801-08070-00	BOLT, FLANGE, 8X70.....	5 5		
		32	95801-08085-00	BOLT, FLANGE, 8X85.....	2 2		

**G 9**

**F-29**

**Tools**



KEG3-F2900

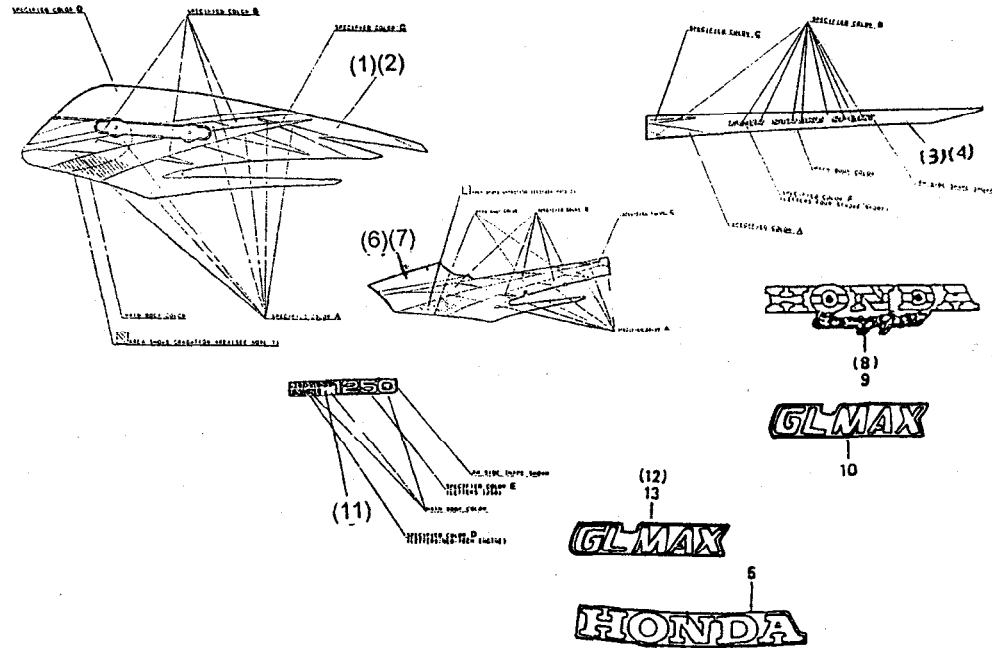
KEGF2100

Service item Bagian yang diservis	F.R.T.	Ref. No. Nomor petunjuk	Part No. Nomor Part	Description Nama - Part	Reqd.No. Jumlah GL Max II GL PRO I	Serial No. Nomor Serie	Notes Catatan
		1	89010-KC5-000	TOOL SET.....	1 1		
		2	89212-001-000	WRENCH, EYE, 17MM.....	1 1		
		3	89216-KB7-000	SPANNER, 12X14.....	1 1		
		4	99001-10120	SPANNER, 10X12.....	1 1		
		5	99002-13800	PLIERS, 135.....	1 1		
		8	99003-10000	DRIVER 1, PLUS SCREW (NO. 2).....	1 1		
		7	99003-30000	DRIVER 3, MINUS SCREW (NO. 2).....	1 1		
		8	99004-I 8190	WRENCH, BOX, P18X19.....	1 1		
		9	99008-12000	HANDLE, EYE WRENCH, 120MM.....	1 1		
		10	99006-19000	WRENCH, EYE, 19MM.....	1 1		
		11	99008-01800	BAG, TOOL, 160MM.....	1 1		

**G 11**

**F-31**

Mark  
(GL Max II)



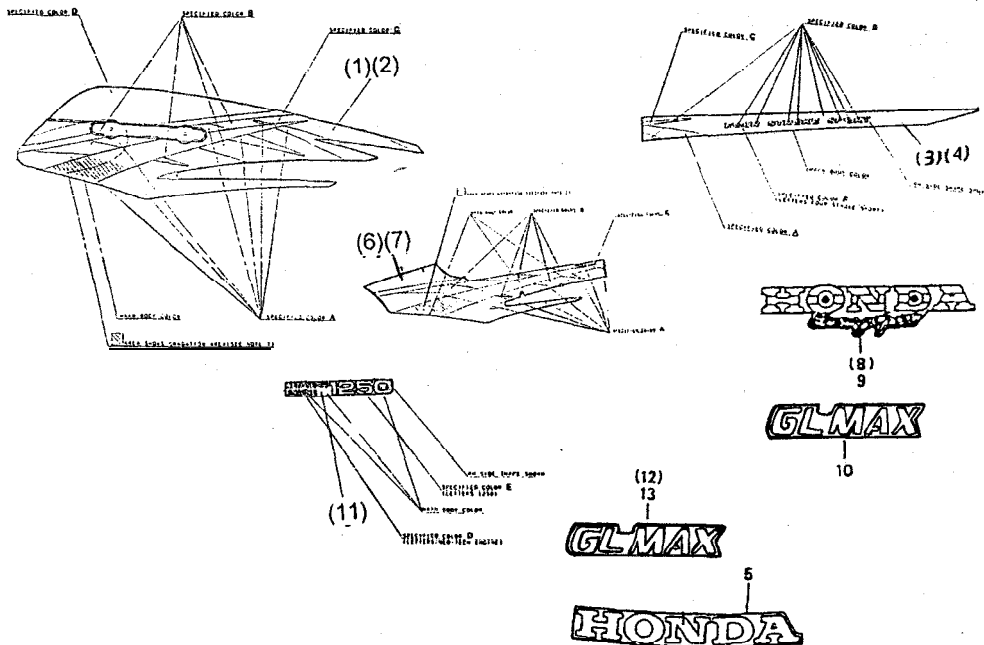
KEG9F3100

Service item Bagian yang diservis	F.R.T.	Ref. No. Nomor	Part No. Nomor Part	Description Nama - Part	Reqd.No. Jumlah GL Max II GL PRO II	Serial No. Nomor Serie	Notes Catatan
		1	17511-KEG-920ZA 17511-KEG-920ZB	STRIPE, R. FUEL TANK 'TYPE1'..... STRIPE, R. FUEL TANK *TYPE2*.....	1 - 1 -		
		2	17512-KEG-920ZA 17512-KEG-920ZB	STRIPE, L. FUEL TANK *TYPE1*..... STRIPE, L. FUEL TANK ● TYPEZ.....	1 - 1 -		
		3	77221-KEG-920ZA 77221-KEG-920ZB	STRIPE, R. RR. COWL *TYPE1*..... STRIPE, R. RR. COWL *TYPE2*.....	1 - 1 -		
		4	77222-KEG-920ZA 77222-KEG-920ZB	STRIPE, L. RR. COWL *TYPE1*..... STRIPE, L. RR. COWL *TYPE2*.....	1 - 1 -		
		5	77226-KEH-900ZA	MARK, RR. COWL 'TYPE1'.....	1 -		
		6	83541-KEG-920ZA 83541-KEG-920ZB	STRIPE, R. SIDE COVER *TYPE1*..... STRIPE, R. SIDE COVER ● TYPEZ.....	1 - 1 -		
		7	83641-KEG-920ZA 83641-KEG-920ZB	STRIPE, L. SIDE COVER 'TYPE1'..... STRIPE, L. SIDE COVER *TYPE2*.....	1 - 1 -		
		8	87123-KC5-000	EMBLEM, R. FUEL TANK.....	1 -		
		9	87124-KC5-000	EMBLEM, L. FUEL TANK.....	1 -		
		10	87223-KEG-920ZA 87223-KEG-920ZB	MARK, SIDE COVER *TYPE1*..... MARK, SIDE COVER *TYPE2*.....	2 - 2 -		
		11	87228-KC5-921	EMBLEM, R. SIDE COVER.....	1 -		
		12	87229-KC5-921	EMBLEM, L. SIDE COVER.....	1 -		

**G 11**

**F - 31**

Mark  
(GL Max II)



KEG01100

Service item Bagian yang diservis	F.R.T.	Ref. No. Nomor	Part No. Nomor Part	Description Nama - Part	Reqd.No. Jumlah GL Max II GL PRO II	Serial No. Nomor Serie	Notes Catatan
--------------------------------------	--------	-------------------	------------------------	----------------------------	---	---------------------------	------------------

- 871X0-KEG-900ZA SET, STRIPE \*TYPE1\* ..... 1 -
- 871X0-KEG-900ZB SET, STRIPE \*TYPE2\* ..... 1 -
- 871X0-KEG-900ZC SET, STRIPE \*TYPE3\* ..... 1 -

SPECIFIED COLOR CHART 1.2

TYPE	SPECIFIED				MAINBODY COLOR
	A	B	C	D	
1	DARK RED	RED	YELLOW	GRAY METALLIC	NH 1 BLACK
2	DARK GREEN METALLIC	GREEN	LIGHT GREEN	GOLD	NH -1BLACK

SPECIFIED COLOR CHART 3.4

TYPE	SPECIFIED					MAIN BODY COLOR
	A	B	C	D	E	
1	DARK RED	RED	YELLOW	'RAY METALLIC	YELLOW	NH -1BLACK
2	DARK GREEN METALLIC	GREEN	LIGHT GREEN	GOLD	PINK	NH 1 BLACK

SPECIFIED COLOR CHART 6.7

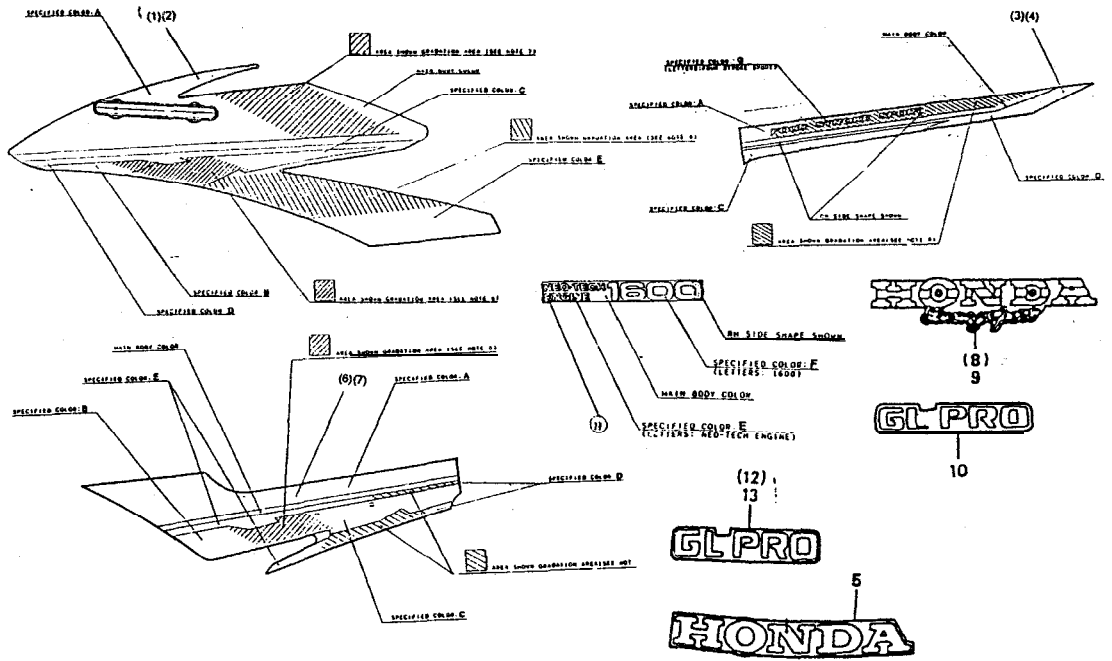
TYPE	SPECIFIED				MAIN BODY COLOR
	A	B	C	F	
1	DARK RED	RED	YELLOW	WHITE	NH-1BLACK
2	DARK GREEN METALLIC	GREEN	LIGHT GREEN	WHITE	NH 1 BLACK



**G 12**

**F-31 - 1**

Mark  
(GL Pro II)

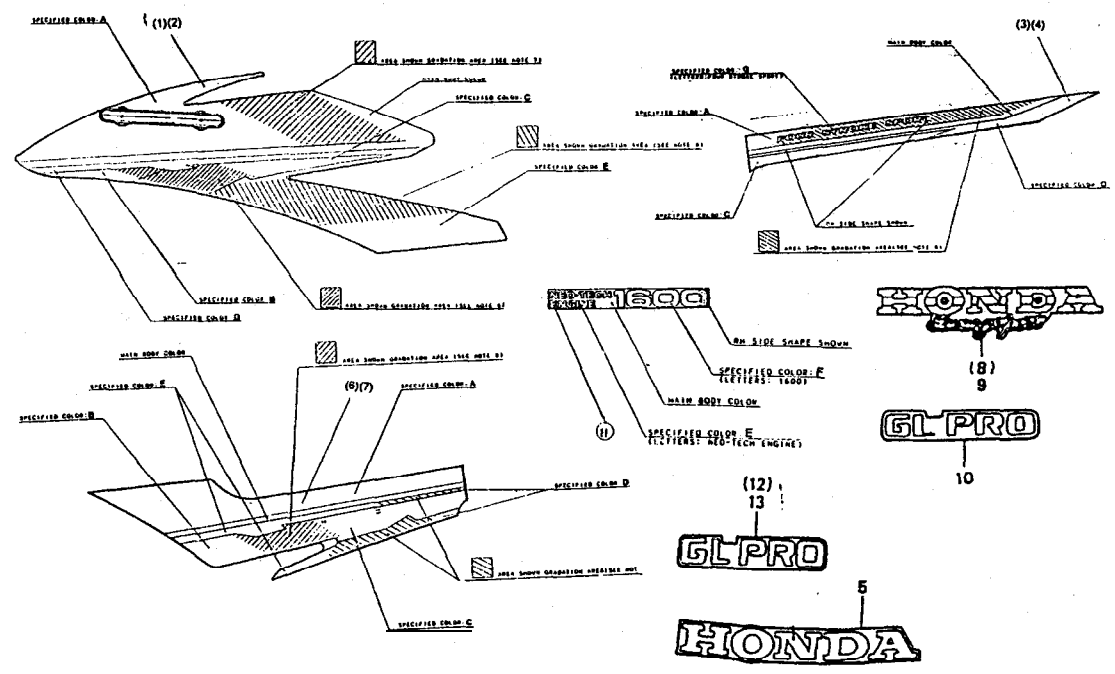


Service Item Bagian yang diservis	F.R.T.	Ref. No. Nomor petunjuk	Part No. Nomor Part	Description Nama - Part	Reqd.No. Jumlah GL Max II GL PRO I	Serial No. Nomor Serie	Notes Catatan
		1	17511-KEH-920ZA	STRIPE, R. FUEL TANK *TYPE1*	- 1		
			17511-KEH-920ZB	STRIPE, R. FUEL TANK *TYPE2*	- 1		
			17511-KEH-920ZC	STRIPE, R. FUEL TANK *TYPE3*	- 1		
		2	17512-KEH-920ZA	STRIPE, L. FUEL TANK *TYPE1*	- 1		
			17512-KEH-920ZB	STRIPE, L. FUEL TANK *TYPE2*	- 1		
			17512-KEH-920ZC	STRIPE, L. FUEL TANK *TYPE3*	- 1		
		3	77221-KEH-920ZA	STRIPE, R. RR. COWL *TYPE1*	- 1		
			77221-KEH-920ZB	STRIPE, R. RR. COWL *TYPE2*	- 1		
			77221-KEH-920ZC	STRIPE, R. RR. COWL *TYPE3*	- 1		
		4	77222-KEH-920ZA	STRIPE, L. RR. COWL *TYPE1*	- 1		
			77222-KEH-920ZB	STRIPE, L. RR. COWL *TYPE2*	- 1		
			77222-KEH-920ZC	STRIPE, L. RR. COWL *TYPE3*	- 1		
		5	77226-KEH-900ZA	MARK, RR. COWL *TYPE1*	- 1		
		6	83541-KEH-920ZA	STRIPE, R. SIDE COVER *TYPE1*	- 1		
			83541-KEH-920ZB	STRIPE, R. SIDE COVER *TYPE2*	- 1		
			83541-KEH-920ZC	STRIPE, R. SIDE COVER *TYPE3*	- 1		
		7	83641-KEH-920ZA	STRIPE, L. SIDE COVER *TYPE1*	- 1		
			83641-KEH-920ZB	STRIPE, L. SIDE COVER *TYPE2*	- 1		
			83641-KEH-920ZC	STRIPE, L. SIDE COVER *TYPE3*	- 1		
		8	87123-KC5-000	EMBLEM, R. FUEL TANK	- 1		
		9	87124-KC5-000	EMBLEM, L. FUEL TANK	- 1		
		10	87132-KG2-921	EMBLEM, HEADLIGHT CASE	- 1		

**G 13**

**F - 31 - 1**

Mark  
(GL Pro II)



KEGF111

Service item Bagian yang diservis	F.R.T.	Ref. No. Nomor petunjuk	Part No. Nomor Part	Description Nama - Part	Reqd.No. Jumlah GL Max II GL PRO I	Serial No. Nomor Serie	Notes Catatan
--------------------------------------	--------	-------------------------------	------------------------	----------------------------	--	---------------------------	------------------

11	87223-KEH-920ZA	MARK, SIDE COVER 'TYPE1'	- 2
	87223-KEH-920ZB	MARK, SIDE COVER 'TYPE2'	- 2
	87223-KEH-920ZC	MARK, SIDE COVER 'TYPE3'	- 2
12	87228-KC5-921	EMBLEM, R. SIDE COVER	- 1
13	87229-KC5-921	EMBLEM, L. SIDE COVER	- 1

**SPECIFIED COLOR CHART (NO. 1, 2)**

SPECIFIED COLOR TYPE	A	B	C	D	E	MAIN BODY COLOR
1	RED	YELLOW 1	YELLOW 3	DARK GRAY METALLIC	SILVER 1	NH - 1 BLACK
2	VIOLET METALLIC	GREEN	LIGHT GREEN	DARK BLUE METALLIC	SILVER 2	NH - 1 BLACK
3	VIOLET METALLIC	ORANGE	YELLOW 2	DARK GRAY METALLIC	SILVER 3	NH - 1 BLACK

**SPECIFIED COLOR CHART (NO. 11)**

SPECIFIED COLOR TYPE	E	F	MAIN BODY COLOR
1	SILVER 1	YELLOW 3	NH - 1 BLACK
2	SILVER 2	RED	NH - 1 BLACK

**SPECIFIED COLOR CHART (NO. 3, 4)**

SPECIFIED COLOR TYPE	A	C	D	G	MAIN BODY COLOR
1	RED	YELLOW 3	DARK GRAY METALLIC	SILVER 3	NH - 1 BLACK
2	VIOLET METALLIC	LIGHT GREEN	DARK BLUE METALLIC	SILVER 3	NH - 1 BLACK
3	VIOLET METALLIC	YELLOW 2	DARK GRAY METALLIC	SILVER 3	NH - 1 BLACK

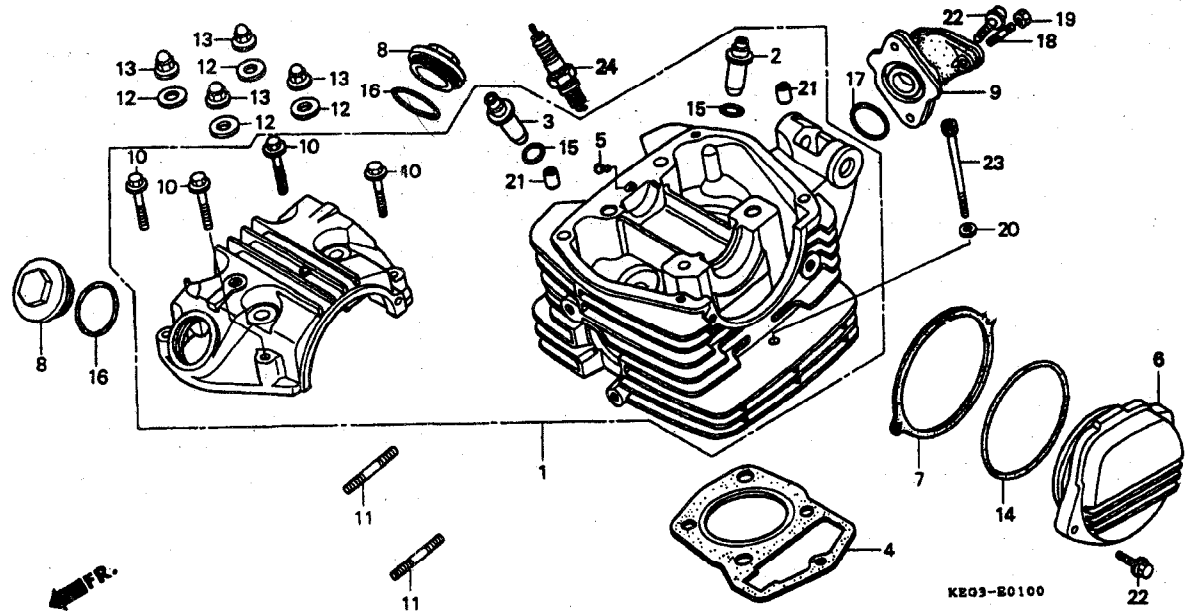
**SPECIFIED COLOR CHART (NO. 5, 6)**

SPECIFIED COLOR TYPE	A	B	C	D	E
1	RED	YELLOW 1	YELLOW 3	DARK GRAY METALLIC	SILVER 1
2	VIOLET METALLIC	GREEN	LIGHT GREEN	DARK BLUE METALLIC	SILVER 2
3	VIOLET METALLIC	ORANGE	YELLOW 2	DARK GRAY METALLIC	SILVER 3

**C 1**

**E-1**

Cylinder head

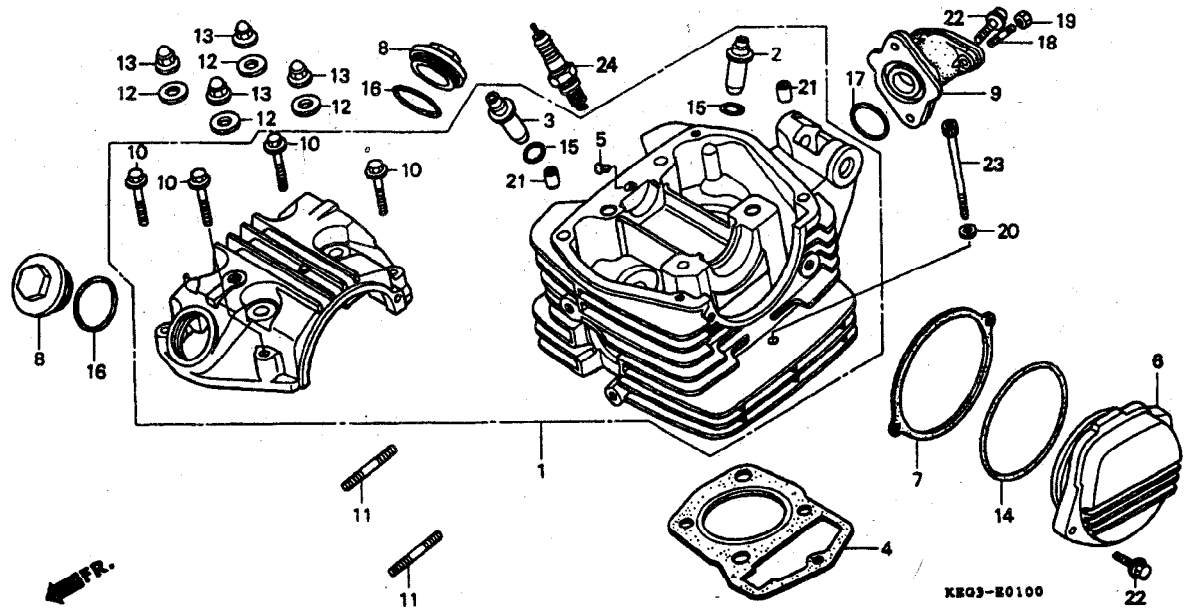


KEG3-B0100

Service item Bagian yang diservis	F.R.T.	Ref. No. Nomor	Part No. Nomor Part	Description Nama - Part	Reqd.No. Jumlah Gl. Max   Gl. PRO	Serial No. Nomor Seri	Notes Catatan
HEAD ASSY., CYLINDER .....	0.32	1	12000-KCM-000	HEAD ASSY., CYLINDER .....	1	-	
GUIDE, VALVE .....	*2.9		12000-KCN-000	HEAD ASSY., CYLINDER .....	-	1	
(INC. REAMING)		2	12204-439-970	GUIDE, IN. VALVE .....	1	1	
(TERMASUK REAMING)		3	12206-KCN-300	GUIDE, EX. VALVE .....	1	1	
(ADD 0.3 FOR EACH.)		4	12251-KEG-910	GASKET, CYLINDER HEAD .....	1	-	
(TAMBAHKAN 0,3 UNTUK MASING-MASING)			12251-KEH-910	GASKET, CYLINDER HEAD .....	-	1	
(EXC. VALVE REFACING)		5	12271-383-000	RUBBER, OIL SEAL .....	1	1	
(TIDAK TERMASUK SKIR KLEP)							
(ADD MORE 0.2 IF PERFORMED.)		6	12331-KCJ-710	COVER, L. CYLINDERHEAD .....	1	1	
(TAMBAHKAN 0,2 LAGI JIKA DILAKSANAKAN)		7	12339-KCJ-710	GASKET, PULSE GENERATOR BASE	1	1	
GASKET, CYLINDER HEAD .....	*2.5	8	12361-383-000	CAP, TAPPET ADJUSTING HOLE .....	2	2	
COVER, L. CYLINDER HEAD .....	0.2	9	1621 O-KCT-690	INSULATOR, CARBURETOR .....	1	1	
INSULATOR, CARBURETOR .....	0.4	10	90001-GHB-700	BOLT, FLANGE, 6 X 35 .....	4	4	
BOLT, STUD, 7 X 35 .....	0.3						
(ADD 0.1 FOR EACH.)		11	90041 -KW1-900	BOLT, STUD, 7 X 35 .....	2	2	
(TAMBAHKAN 0,1 UNTUK MASING-MASING)		12	90442-028-000	WASHER, SEALING, 8MM .....	4	4	
FLUG, SPARK .....	0.1	13	90443-107-000	NUT, CAP, 8MM .....	4	4	
		14	91301-107-000	O-RING, 75 X 2.5 .....	1	1	
		15	91301-200-000	O-RING, 10 X 1.6 .....	2	2	
		16	91303-KK3-830	O-RING, 3.5 X 3 .....	2	2	
		17	91304-HB3-003	O-RING 33.5 X 3.0 .....	1	1	
		18	92912-06016-0B	BOLT 2, STUD, 6 X 16 .....	2	2	
		19	94050-06000	NUT, FLANGE, 6MM .....	2	2	
		20	94101-06000-00	WASHER, PLAIN, 6MM .....	1		
		21	94301-08140	PIN, DOWEL, 8 X 14 .....	2	2	
		22	9600 I-06022-00	BOLT, FLANGE, 6 X 22 .....	4	4	
		23	96700-06110-00	BOLT, SOCKET, 6 X 110 .....	1	1	

**C 2**

**E - I**  
Cylinder head

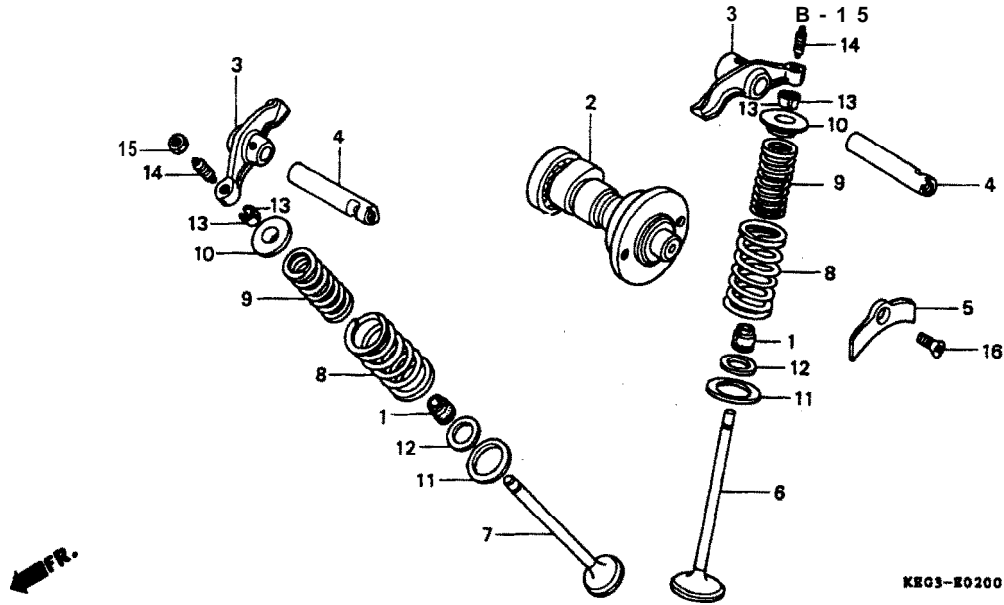


Service Item Bagian yang diservis	F.R.T.	Ref. No. Nomor petunjuk	Part No. Nomor Part	Description Nama - Part	Reqd.No. Jumlah GL Max II GL PRO II	Serial No. Nomor Serie	Notes Catatan
		24	98069-58921-03	PLUG, SPARK (X24EP-U9 ND).....	1 1		

**C 3**

**E - 2**

**Camshaft-Valve**



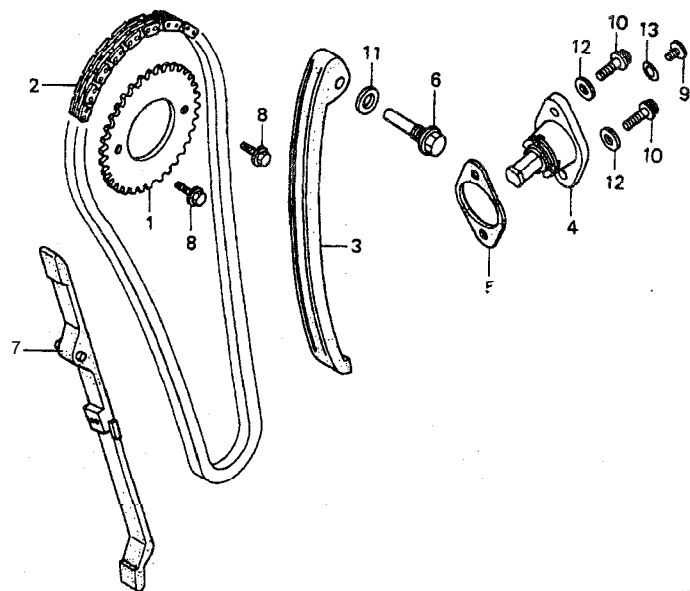
KEG3-K0200

Service item Bagian yang diservis	F.R.T.	Ref. No. Nomor petunjuk	Part No. Nomor Part	Description Nama - Part	Reqd.No. Jumlah (L. Max I L. GL. PRO II)	Serial No. Nomor Serie	Notes Catatan
CAMSHAFT COMP.....	'2.4	1	12208-413-003	SEAL, VALVE STEM .....	2 2		
ARM, VALVE ROCKER ADD 0.1 FOR EACH.)		2	14100-KEG-900	CAMSHAFTCOMP .....	1 -		
TAMBAHKAN 0,1 UNTUK MASING-MASING) NC. RELATIVE PART)		3	14100-KEH-900	CAMSHAFT COMP .....	- 1		
TERMASUK PART YANG BERHUBUNGAN)		4	14431-KEH-900	ARM, VALVE ROCKER .....	2 2		
VALVE.....	• 2.7	5	14451-437-000	SHAFT, VALVE ROCKER ARM .....	2 2		
ADD 0.2 FOR EACH.)			14456-KG2-950	PLATE, VALVE ROCKER ARM SHAFT SETTING 1 1			
TAMBAHKAN 0.2 UNTUK MASING-MASING) NC. REFACING)		6	14711-KCM-000	VALVE, IN .....	1 -		
TERMASUK SKIR (KLEP)		7	14711-KBB-900	VALVE, IN.....	- 1		
(XC. VALVE GUIDE REPLACEMENT)			14721-KCM-000	VALVE, EX.....	1 -		
TIDAK TERMASUK PENGGANTIAN VALVE (GUIDE)			14721-KBB-900	VALVE, EX.....	- 1		
SPRING, VALVE.....	"2.6	6	14751-383-005	SPRING, VALVE OUTER (NIPPON)....	2 2		
ADD 0.1 FOR EACH.)		9	14761-383-005	SPRING, VALVE INNER (NIPPON)....	2 2		
TAMBAHKAN 0,1 UNTUK MASING-MASING) NC. RELATIVE PART)		10	14771-107-020	RETAINER, VALVE SPRING .....	2 2		
TERMASUK PART YANG BERHUBUNGAN)		11	14775-107-000	SEAT, VALVE SPRING OUTER . . .	2 2		
		12	14776-107-010	SEAT, VALVE SPRING INNER .....	2 2		
		13	14781-MB4-000	COTTER, VALVE .....	4 4		
		14	90012-KN6-930	SCREW, TAPPET ADJUSTING .....	2 2		
		15	90206-250-000	NUT, TAPPET ADJUSTING .....	2 2		
		16	93600-06016-0A	SCREW, FLAT; 6 X 16 .....	1 1		

**C 4**

**E - 3**

Cam Chain-Tensioner



KEG3-E0300

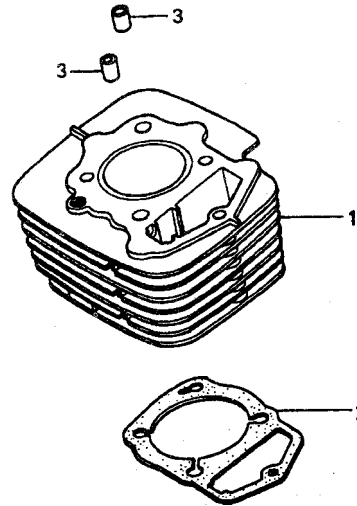
KEG3E0300

Service item Bagian yang diservis	F.R.T.	Ref. No. Nomor petunjuk	Part No. Nomor Part	Description Nama - Part	Reqd.No. Jumlah GL Max # GLPRO #	Serial No. Nomor Serie	Notes Catatan
SPROCKET, CAM.....	0.7	1	14321-KN6-930	SPROCKET, CAM . . . . .	1	-	
CHAIN, CAM .....	1.0		14321-KEH-900	SPROCKET, CAM . . . . .	-	1	
TENSIONER, CAM CHAIN .....	1.1	2	14401-KEH-931	CHAIN, CAM.....	1	1	
LIFTER ASSY., TENSIONER .....	0.4	3	14500-KW1-900	TENSIONER, CAM CHAIN . . . . .	1	1	
GUIDE, CAM CHAIN.....	*2.5	4	14520-KCT-691	LIFTERASSY., TENSIONER . . . . .	1	1	
		5	14523-KEH-910	GASKET, TENSIONER L I F T E R . . . . .	1	1	
		6	14535-437-000	BOLT, CAM CHAIN TENSIONER PIVOT . . . . .	1	1	
		7	14550-KCT-690	GUIDE, CAM CHAIN . . . . .	1	1	
		8	90002-KW1-900	BOLT, FLANGE, 6 X 10 . . . . .	2	2	
		9	90005-KY7-000	SCREW, PAN, 6 X 6 . . . . .	1	1	
		10	90071-MG8-000	BOLT, FLANGE SOCKET, 6 X 16 . . . . .	2	2	
		11	90475-703-000	WASHERC, 8MM . . . . .	1	1	
		12	90488-425-000	WASHER, SEALING, 6MM . . . . .	2	2	
		13	91306-MG3-000	O-RING, 1.5 X 9.5 . . . . .	1	1	

C 5

E 4

Cylinder



KEG3-BD400

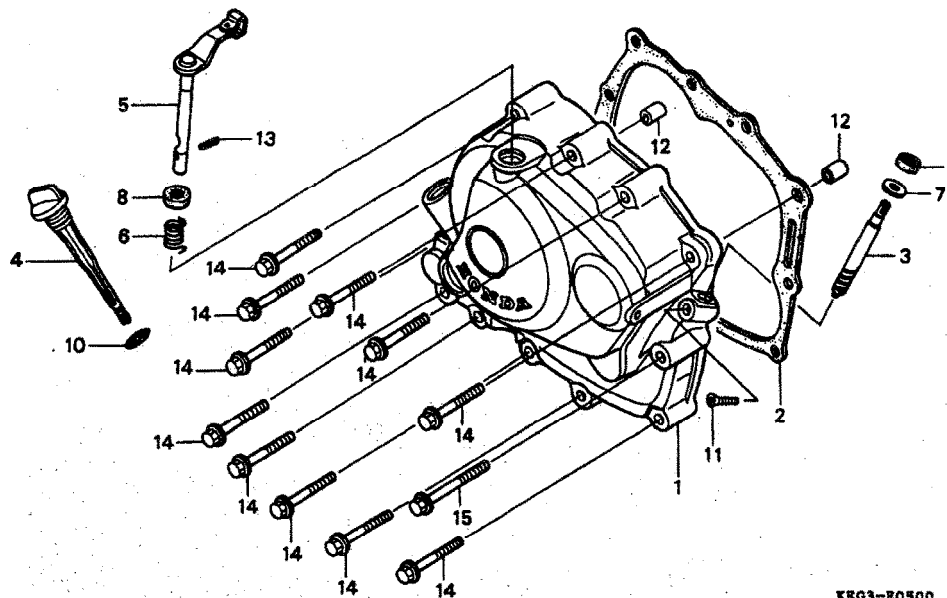
KEG3E114

Service item Bagian yang diservis	F.R.T.	Ref. No. Nomor	Part No. Nomor Part	Description Nama - Part	Reqd.No. Jumlah		Serial No. Nomor Serie	Notes Catatan
					GL Max II	GL PRO II		
CYLINDER COMP..... *2.6 . GASKET, CYLINDER		1	12100-KCM-000	CYLINDER COMP.....	1	-		
			12100-KEH-900	CYLINDER COMP...	-	1		
		2	12191-437-020	GASKET, CYLINDER..	1	1		
		3	94301-10200	PIN A, DOWEL, 10 x20	-	2		

C 6

E-5

Right crankcase cover



XBG3-80500

KEB06000

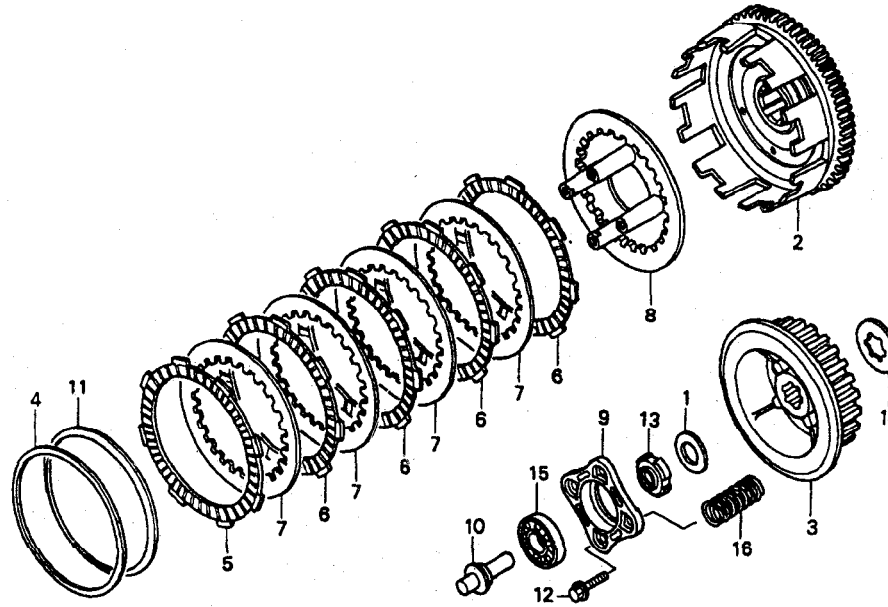
Service item Bagian yang diservis	F.R.T.	Ref. No. Nomor petunjuk	Part No. Nomor Part	Description Nama - Part	Reqd. No. Jumlah GL Max II GL PRO II	Serial No. Nomor Serie	Notes Catatan
COVER COMP., R. CRANKCASE.....	0.8	1	11330-KEH-900	COVER COMP., R. CRANKCASE.....	1 1		
GASKET, R. COVER.....	0.6	2	11393-KCJ-710	GASKET, R. COVER.....	1 1		
GEAR, TACHOMETER..... (INC. RELATIVE PART) (TERMASUK PART YANG BERHUBUNGAN)	0.7	3	12431-KC6-000	GEAR, TACHOMETER.....	1 -		
LEVER COMP., CLUTCH (INC. RELATIVE PART) (TERMASUK PART YANG BERHUBUNGAN)		4	15650-KEH-900	GAUGE, OIL LEVEL.....	1 4		
		5	22810-437-000	LEVER COMP., CLUTCH.....	1 1		
		6	22815-428-000	SPRING, CLUTCH LEVER . . . . .	1 1		
		7	90458-324-010	WASHER, THRUST, 6.7MM.....	1 1		
		8	91201-KEH-900	OIL SEAL, 12X22x5.....	1 1		
		9	91201-324-023	OIL SEAL, 6.5X14.5X7.....	1 1		
		10	91307-035-000	O-RING, 18X3.....	1 1		
		11	93700-05025-0A	SCREW, OVAL, 5X25.....	1 1		
		12	9430108140	PIN, DOWEL, 8X14.....	2 2		
		13	94305-30102	PIN, SPRING, 3X10.....	1 1		
		14	96001-06040-00	BOLT, FLANGE, 6X40.....	11 11		
		15	96001-06050-00	BOLT, FLANGE, 6X50.....	1 1		



C 7

E - 6

Clutch



KEG3-E0600



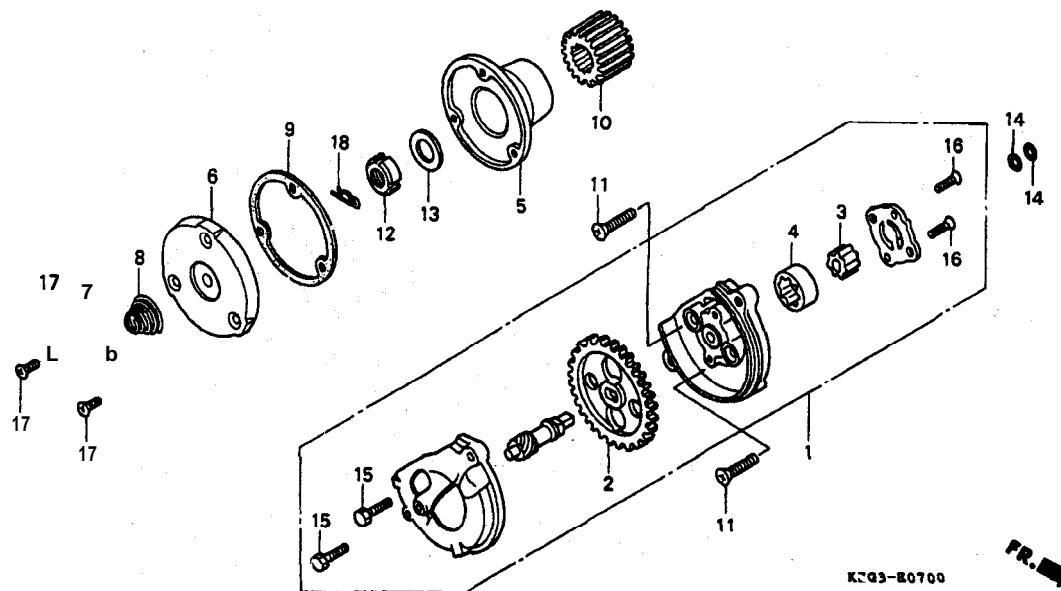
KEGJE1111

Service item Bagian yang diservis	F.R.T.	Ref. No. Nomor	Part No. Nomor Part	Description Nama - Part	Reqd.No. Jumlah GL Max    GL PRO	Serial No. Nomor Serie	Notes Catatan
OUTER COMP., CLUTCH.....	0.8	1	15451-107-000	WASHER, OIL FILTER ROTOR			
CENTER COMP., CLUTCH				LOCKING	1	1	
DISK, CLUTCH FRICTION		2	22100-KCS-650	OUTER COMP., CLUTCH.....	1	-	
(INC. RELATIVE PART)			22100-KEH-900	OUTER COMP., CLUTCH.....		1	
<b>(TERMASUK PART YANG BERHUBUNGAN)</b>		3	22121-KB5-720	CENTER COMP., CLUTCH.....	1	1	
(SAME TIME FOR TWO UNITS OR MORE)		4	22125-KW7-900	SEAT, JUDDER SPRING.....	1	1	
<b>(WAKTU SAMA UNTUK DUA UNIT ATAU LEBIH)</b>		5	22201-MJ8-000	DISK, CLUTCH FRICTION.....	1	1	
PLATE, CLUTCH PRESSURE		6	22201-166-000	DISK, CLUTCH FRICTION.....	4	4	
PLATE, CLUTCH LIFTER.....	0.7	7	2231 I-107-000	PLATE, CLUTCH.....	4	4	
SPRING, CLUTCH		6	22350-107-010	PLATE, CLUTCH PRESSURE.....	1	1	
(SAME TIME FOR TWO UNITS OR MORE)		9	22361-437-000	PLATE, CLUTCH LIFTER.....	1	1	
<b>(WAKTU SAMA UNTUK DUA UNIT ATAU LEBIH)</b>		10	22366-KCN-000	ROD, CLUTCH LIFTER.....	1	1	
ROD, CLUTCH LIFTER.....	0.6	11	22402-KW7-900	SPRING, JUDDER.....	1	1	
		12	90050-357-000	BOLT, SPECIAL FLANGE, 6X22.....	4	4	
		13	90231-KB5-720	NUT, LOCK, 16MM.....	1	1	
		14	90461-KB5-720	WASHER, SPLINE, 20MM.....	1	1	
		15	91002-KN6-932	BEARING, RADIAL BALL.....	1	1	
		16	95014-75110	SPRING 11, CLUTCH.....	4	4	

C 8

E - 7

Oil pump



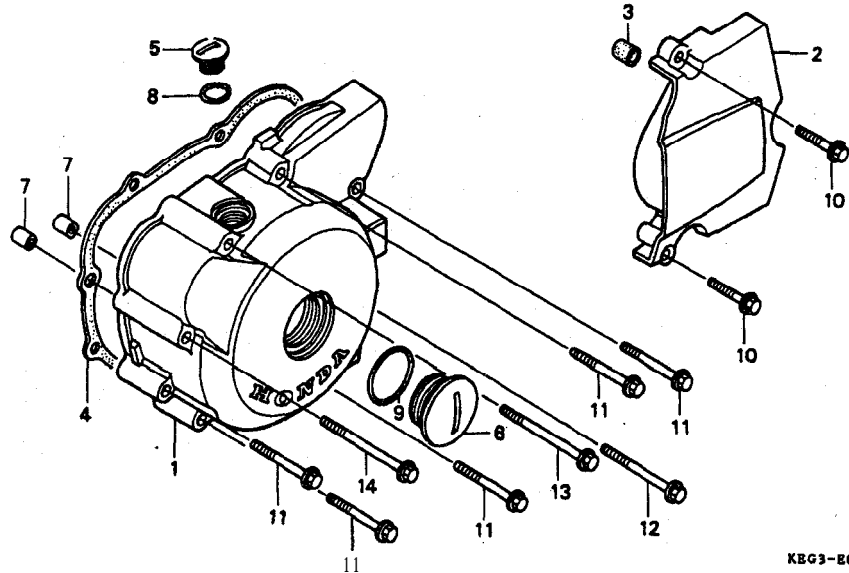
KEB3E110

Service item Bagian yang diservis	F.R.T.	Ref. No. Nomor petunjuk	Part No. Nomor Part	Description Nama - Part	Reqd.No. Jumlah Gl. Max II GL PRO II	Serial No. Nomor Serie	Notes Catatan
PUMP ASSY., OIL INC. RELATIVE PART) TERMASUK PART YANG BERTHUBUNGAN)	0.7	1	15100-KEG-900	OIL PUMP ASSY	1	-	
			151 00-KEH-900	OIL PUMP ASSY	-	1	
ROTOR COMP., OIL FILTER		2	15131-KEG-900	GEAR, OIL PUMP DRIVE (39T)	1	-	
GEAR, PRIMARY DRIVE			15131-KEH-900	GEAR, OIL PUMP DRIVE (37T)	-	1	
GEAR, OIL PUMP DRIVE	0.6	3	15331-399-000	ROTOR, OIL PUMP INNER (YAMADA)	1	1	
		4	15332-399-000	ROTOR, OIL PUMP OUTER (YAMADA)	1	1	
		5	15430-440-030	ROTOR COMP., OIL FILTER	1	1	
		6	15436-1 07-000	CAP, OIL FILTER ROTOR	1	1	
		7	15441 -KCS-650	THROUGH, OIL	1	1	
		a	15446-1 07-000	SPRING, OIL THROUGH	1	1	
		9	15459-1 07-000	GASKET, OIL FILTER ROTOR CAP	1	1	
		10	23121-KCS-650	GEAR, PRIMARY DRIVE ( 19 T)	1	-	
			23121-KEH-900	GEAR, PRIMARY DRIVE ( 21 T)	-	1	
		11	90101-440-000	SCREW, FLAT, 6X30	2	2	
		12	90231-KCS-651	NUT, LOCK, 16MM	1	1	
		13	90434-KN6-930	WASHER, 16MM	1	1	
		14	91304-KK3-830	O-RING, 9.4X2.4	2	2	
		15	92101-05020-0H	BOLT, HEX., 5X20	2	-	
			92101-05020-0A	BOLT, HEX., 5X20	-	2	
		16	93600-04012-1A	SCREW, FLAT, 4X12	2	2	
		17	93700-05012-0A	SCREW, OVAL, 5X12	3	3	
		18	94251-08000	PIN, LOCK, 8MM	1	1	

**C 9**

**E - 8**

Left crankcase cover



KEG3-B0800

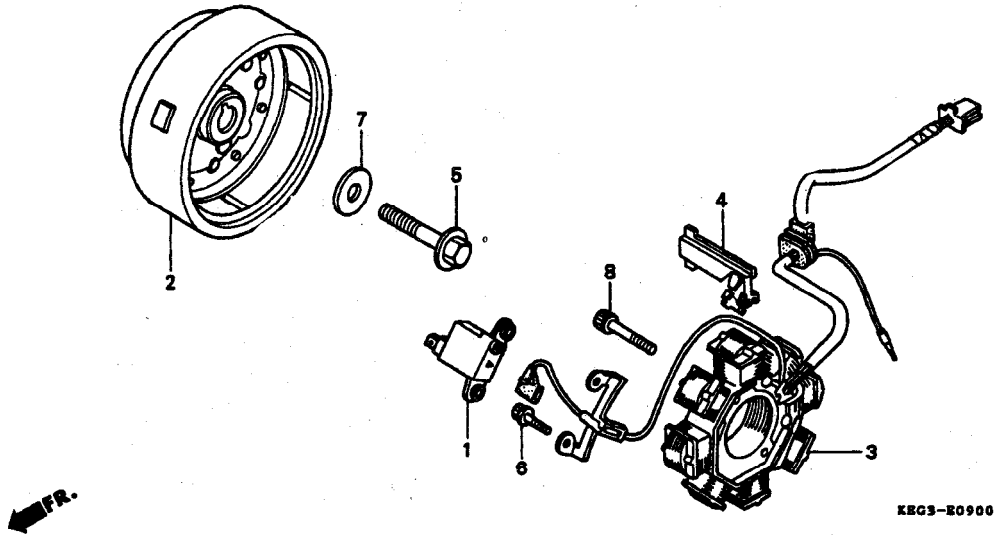
KEG1111

Service item Bagian yang diservis	F.R.T.	Ref. No. Nomor	Part No. Nomor Part	Description Nama - Part	Reqd.No. Jumlah GL Max # GL PRO #	Serial No. Nomor Serie	Notes Catatan
COVER, L. CRANKCASE.....	0.3	1	11341-KEH-900	COVER, L. CRANKCASE.....	1 1		
COVER, L. RR. CRANKCASE.....	0.1	2	11361-KEH-900	COVER, L. RR. CRANKCASE.....	1 1		
GASKET, L. COVER.....	0.2	3	11363-437-620	RUBBER, RR. COVER MOUNTING.....	1 1		
		4	11395KCJ-710	GASKET, L. COVER.....	1 1		
		5	90084-KCJ-710	CAP, A.C. GENERATOR.....	1 1		
		6	90087- KCJ-710	CAP, 30MM.....	1 1		
		7	90703-HC4-000	PIN, DOWEL, 10X14.....	2 2		
		8	91303-377-000	O-RING, 13.8X2.5.....	1 1		
		9	91356-425-003	O-RING, 29.7X2.4 (NOK).....	1 1		
		10	96001-06025-00	BOLT, FLANGE, 6X25.....	2 2		
		11	9600 I-06040-00	BOLT, FLANGE, 6X40.....	5 5		
		12	96001-06050-00	BOLT, FLANGE, 6X50.....	1 1		
		13	96001-06060-00	BOLT, FLANGE, 6X60.....	1 1		
		14	96001-06070-00	BOLT, FLANGE, 6X70.....	1 1		

# C 10

## E - Q

### Generator



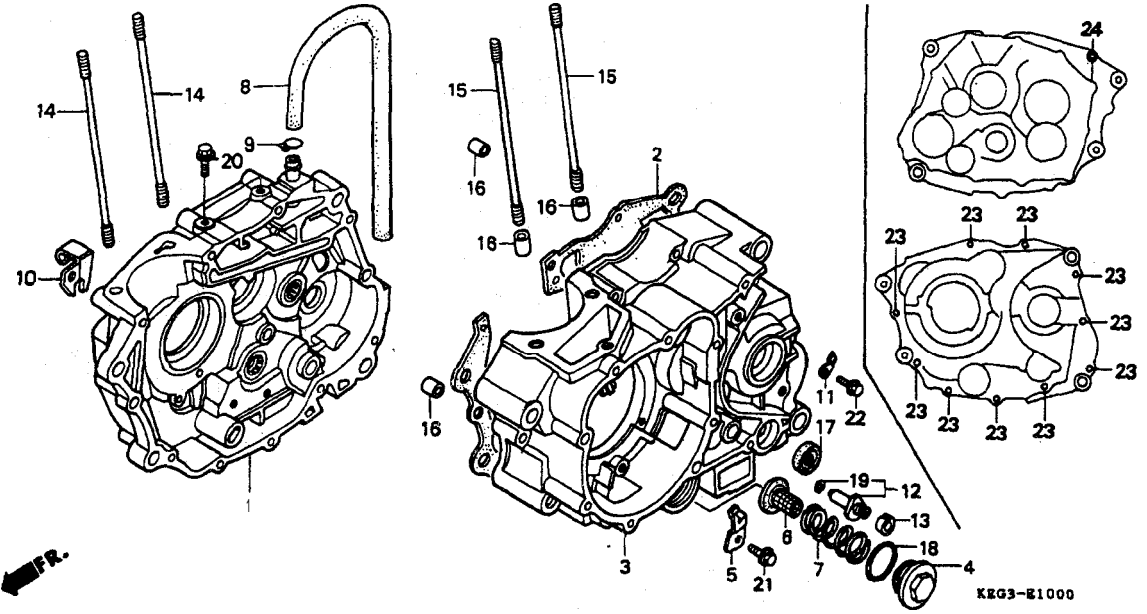
KEG3-R0900

Service item Bagian yang diservis	F.R.T.	Ref. No. Nomor	Part No. Nomor Part	Description Nama - Part	Reqd.No. Jumlah	Serial No. Nomor Serie	Notes Catatan
			petunjuk		GL Max # GL PRO I		
IGNITION PULSE GENERATOR COMP .....	0.3	1	30300-HA0-033	IGNITION PULSE GENERATOR COMP. (TEC)	1	1	
FLYWHEEL COMP.		2	31110-KEG-901	FLYWHEELCOMP .....	1	-	
STATOR COMP .....	0.4	3	31110-KEH-901	FLYWHEELCOMP .....	-	1	
		3	31120-KEH-901	STATORCOMP ..	1	1	
		4	32975-KEH-900	GUIDE, AC. GENERATOR CORD.....	1	1	
		5	90003-MN4-000	BOLT, FLANGE, 10X35.....	1	1	
		6	90064KAS-900	BOLT, FLANGE SOCKET, 5X14.....	2	2	
		7	90403-KN6-930	WASHER, 10x24.....	1	1	
		8	96600-06022-00	BOLT, SOCKET, 6X22.....	2	2	

# C 11

## E - 10

### Crankcase



KRG3-E1000

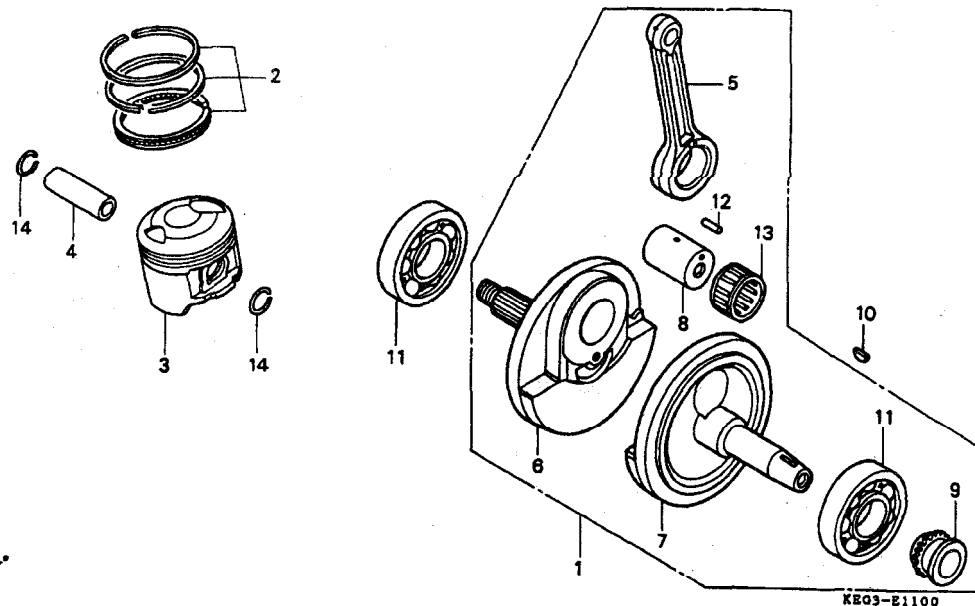
KEGE1000

Service item Bagian yang diservis	F. R. T.	Ref. No. Nomor	Part No. Nomor Part	Description Nama - Part	Reqd.No. Jumlah GL Max # GL PRO #	Serial No. Nomor Serie	Notes Catatan
CRANKCASE COMP., R.....	3.9	1	11100-KCJ-710	CRANKCASE COMP., R.....	1 1		
GASKET, CRANKCASE.....	*3.6	2	11191-KCJ-710	GASKET, CRANKCASE.....	1 1		
CRANKCASE COMP., L.....	4.5	3	11200-KCJ-710	CRANKCASE COMP., L.....	1 1		
SCREEN, OIL FILTER.....	0.1	4	12361-383-000	CAP, TAPPET ADJUSTING HOLE.....	1 1		
(INC. RELATIVE PART) TERMASUK PART YANG BERHUBUNGAN)		5	14513-KBB-900	PLATE, CAM CHAIN SETTING.....	1 1		
3 BOLT, CYLINDER STUD.....	*2.7	6	15421-107-000	SCREEN, OIL FILTER.....	1 1		
ADD 0.1 FOR EACH.) TAMBAHKAN 0,1 UNTUK MASING-MASING)		7	15426-107-000	SPRING, OIL FILTERSCREEN.....	1 1		
OIL SEAL, 14X28X7.....	1.0	8	15761-KEH-900	TUBE, BREATHER.....	1 1		
		9	15772-292-010	CLIP, BREATHERTUBE.....	1 1		
		10	22838 -437-000	HOLDER, CLUTCH WIRE.....	1 1		
		11	32976-KCT-690	CLAMPER, WIREHARNES.....	1 1		
		12	35750-GS3-003	CONTACT, NEUTRAL SWITCH.....	1 1		
		13	35752-KCT-690	SPACER, NEUTRAL SWITCH.....	1 1		
		14	90031-107-010	BOLT A, CYLINDERSTUD.....	2 2		
		15	90032-I 07-010	BOLT B, CYLINDERSTUD.....	2 2		
		16	90703-HC4-000	PIN, DOWEL, 10X14.....	4 4		
		17	91206-286-013	OIL SEAL, 14X28X7.....	1 1		
		18	91303-KK3-830	O-RING, 35X3.....	1 1		
		19	91312-107-000	O-RING, 7X1.7.....	1 1		
		20	95701-06012-00	BOLT, FLANGE, 6X12.....	2 2		
		21	95701-06012-08	BOLT, FLANGE, 6X12.....	1 1		
		22	96001-06014-00	BOLT, FLANGE, 6X14.....	1 1		
		23	96001-06050-00	BOLT, FLANGE, 6X50.....	10 10		
		24	96001-06060-00	BOLT, FLANGE, 6X60.....	1 1		

C 12

E - II

Crankshaft-Piston

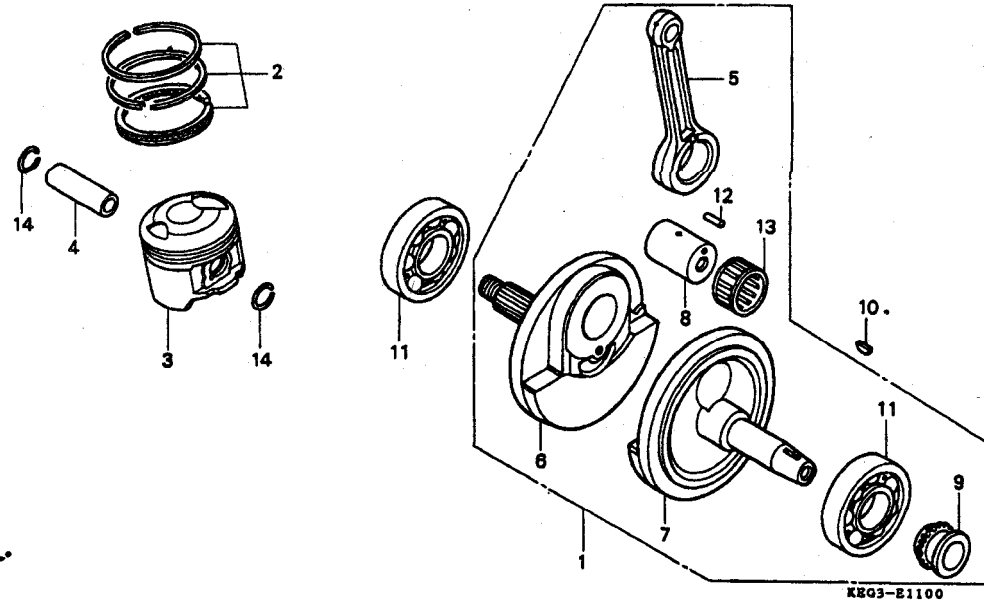


KEG3E1100

Service item Bagian yang diservis	F.R.T.	Ref. No. Nomor	Part No. Nomor Part	Description Nama - Part	Reqd.No. Jumlah GL Max II GL PRO II	Serial No. Nomor Serie	Notes Catatan
CRANKSHAFT COMP.....	*3.9	1	13000-KCT-690	CRANKSHAFT COMP.....	1	-	
RING SET, PISTON.....	*2.8	2	13000-KEH-900	CRANKSHAFT COMP.....	1	-	
PISTON			13011-KEG-305	RING SET, PISTON (STD.) . . . . .	1	-	
IN, PISTON	*2.7		13011-KCJ-305	RING SET, PISTON (STD.) . . . . .	-	1	
ROD, CONNECTING..... (ACTUAL TIME)		3	13101-KCM-000	P I S T O N . . . . .	1	-	
(WAKTU SEBENARNYA)			13101-KEH-900	PISTON . . . . .	-	1	
INC. RELATIVE PART)		4	13111-KN6-930	PIN, PISTON . . . . .	1	-	
TERMASUK PART YANG BERHUBUNGAN)			13111-440-000	PIN, PISTON . . . . .	-	1	
BEARING, RADIAL BALL, 2 8 X 7 2 X 1 8	*4.1	5	13201-KY0-890	ROD, CONNECTING . . . . .	1	-	
(ADD 0.2 FOR EACH.)			13201 -KCN-300	ROD, CONNECTING . . . . .	-	1	
TAMBAHKAN 0,2 UNTUK MASING-MASING)		6	13311-KCM-300	CRANKSHAFT, R . . . . .	1	-	
			13311-KEH-900	CRANKSHAFT, R . . . . .	-	1	
		7	13321 -KCM-300	CRANKSHAFT, L . . . . .	1	-	
			13321-KEH-900	CRANKSHAFT, L . . . . .	-	1	
		8	13380-KCN-300	PIN COMP., CRANK . . . . .	1	-	

E - II

Crankshaft-Piston



KE6E1100

Service item  
Bagian yang diservis

F.R.T.

Ref. No. Part No.  
Nomor Nomor Part  
petunjuk

Description  
Nama - Part

Reqd.No.  
Jumlah  
GL Max II GL PRO III

Serial No.  
Nomor Serie

Notes  
Catatan

9	14311-KN6-931	SPROCKET, TIMING .....	1	1
1 0	90701-HB6-010	KEY, WOODRUFF, 25X14X4 .....	1	1
11	91001-KCN-003	BEARING, RADIAL BALL, 28X72X18... 2	2	2
1 2	91102-KC6-003	ROLLER, 4X14.8A .....	18	18
1 3	91105-KW3-003	RETAINER, CONNECTING ROD		
		LARGE END	1	1
14	94601-15000	CLIP, PISTON PIN, 15MM .....	2	2

Selection table of connecting rod large end bearing roller  
(Radial Clearance 0 - 8 μm)  
Tabel pemilihan bantalan ujung besar batang penggerak  
(Toleransi Radial 0 - 8 μm)

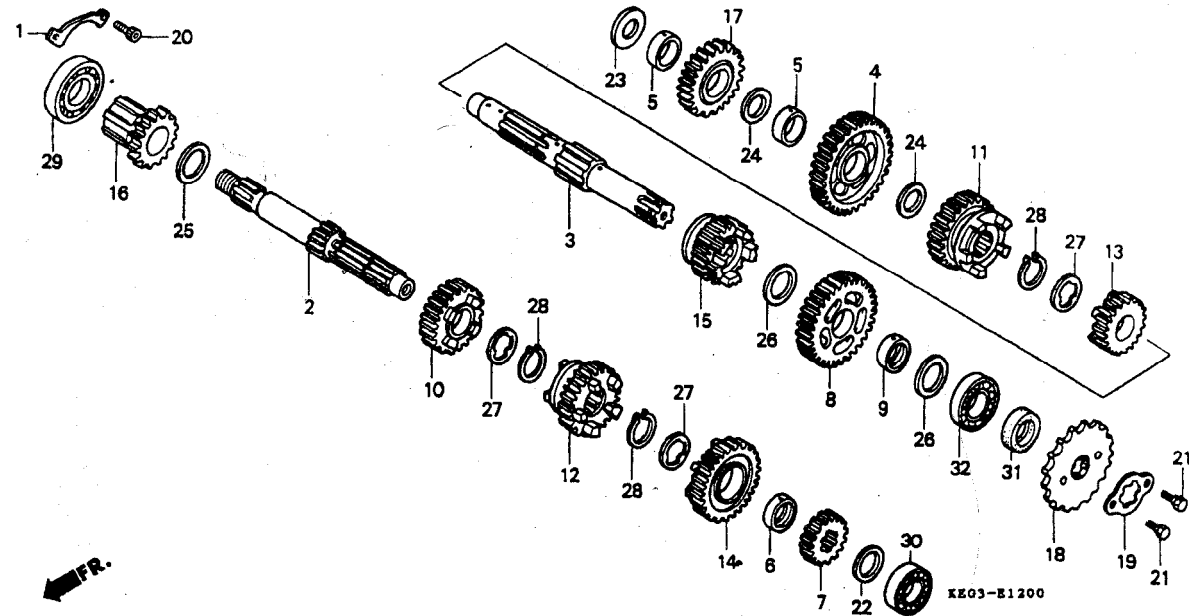
Connecting rod I.D. 38 φ	a	A	B	C
Crank pin O.D. 30 φ	-0.003 ~ -0.001	-0.001 ~ +0.001	+0.001 ~ +0.003	+0.000 ~ +0.005
1 or Green	-0.001 ~ +0.001	Blue 91103- KC6-003	Red 91102- KC6-003	
2 or Yellow	+0.001 ~ +0.003	Blue 91103- KC6-003		Red 91102- KC6-003
3 or White	+0.003 ~ +0.005	White 91104- KC6-003	Blue 91103- KC6-003	
4 or Blue	+0.005 ~ +0.007		White 91104- KC6-003	Blue 91103- KC6-003
5 or Brown	+0.007 ~ +0.009			White 91104- KC6-003

Connecting rod I.D. 38 φ	D	E	F
Crank pin O.D. 30 φ	+0.005 ~ +0.007	+0.007 ~ +0.009	+0.009 ~ +0.011
1 or Green	-0.001 ~ +0.001		
2 or Yellow	+0.001 ~ +0.003		
3 or White	+0.003 ~ +0.005	Red 91102- KC6-003	
4 or Blue	+0.005 ~ +0.007		Red 91102- KC6-003
5 or Brown	+0.007 ~ +0.009	Blue 91103- KC6-003	Red 91102- KC6-003

**C 14**

**E - 12**

Transmission



KE03-E1200

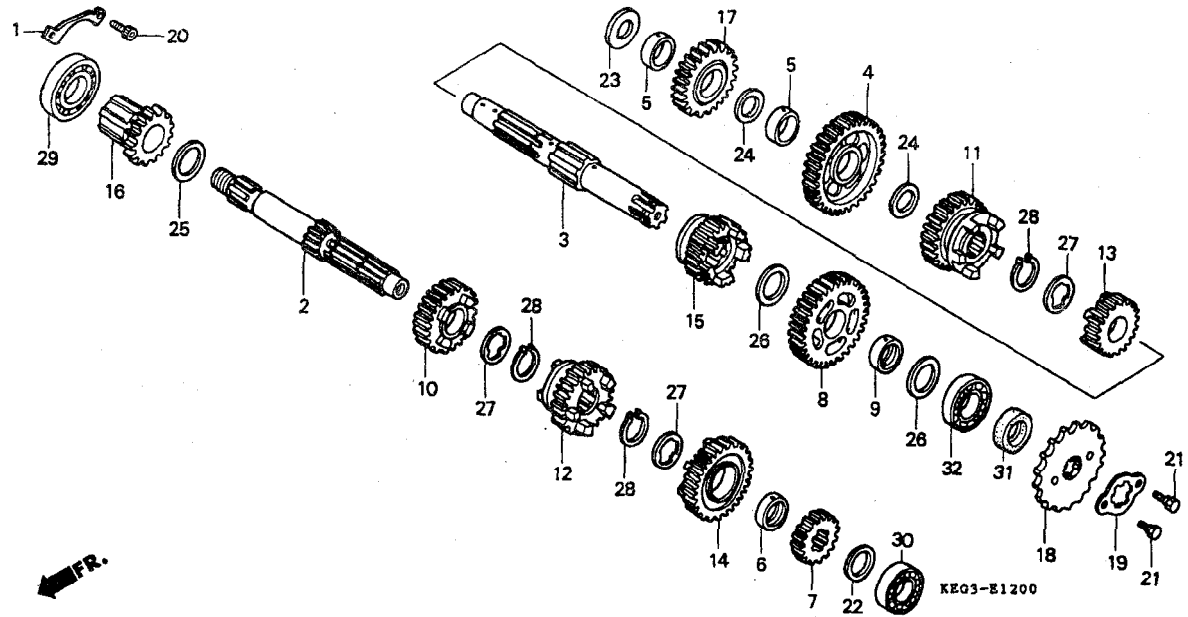
Service item Bagian yang diservis	F. R. T.	Ref. No. Nomor ditunjuk	Part No. Nomor Part	Description Nama - Part	Reqd.No. Jumlah GL Max II GL PRO II	Serial No. Nomor Serie	Notes Catatan
MAINSHAFT, TRANSMISSION	3.8	1	11108-KCN-000	PLATE, BEARING SETTING	1	1	
INC. RELATIVE PART)		2	23211-KEH-900	MAINSHAFT, TRANSMISSION	1	1	
TERMASUK PART YANG BERHUBUNGAN)		3	23221-KCT-690	COUNTERSHAFT, TRANSMISSION	1	1	
COUNTERSHAFT, TRANSMISSION		4	23426-KCN-000	GEAR, COUNTERSHAFT LOW ( 36T )	1	1	
INC. RELATIVE PART)		5	23427439-000	COLLAR, COUNTERSHAFT LOW GEAR	2	2	
TERMASUK PART YANG BERHUBUNGAN)		6	23431-KA2-000	BUSH, 20MM	1	1	
WHEN SERVICING COMP., UNIT,		7	23441-KCN-000	GEAR, MAINSHAFT SECOND	1	1	
F. R.T. IS 4.0)		8	23451-KCN-000	GEAR, COUNTERSHAFT SECOND (31T)	1	1	
JIKA UNIT LENGKAP DISERVIS,		9	23452-KW1-900	BUSH, 20X23X9	1	1	
F.R.T. ADALAH 4.0)		10	23461-KCN-000	GEAR, MAINSHAFT THIRD ( 19T )	1	1	
SPROCKET, DRIVE	0.2	11	23471-KCN-000	GEAR, COUNTERSHAFT THIRD (24T)	1	1	
		12	23481-KCN-000	GEAR, MAINSHAFT FOURTH ( 22T )	1	1	
		13	23491-KCN-000	GEAR, COUNTERSHAFT FOURTH ( 22T )	1	1	
		14	23501-KCN-000	GEAR, MAINSHAFT FIFTH (31T)	1	1	
		15	23511-KCN-010	GEAR, COUNTERSHAFT FIFTH ( 26T )	1	1	
		16	23520-KEH-900	GEAR COMP., STARTER ( 15T )	1	1	
		17	23531-KCT-690	GEAR ONLY, IDLE STARTER	1	1	
		18	23801-KCT-690	SPROCKET, DRIVE ( 14T )	1	1	
		19	2381 1-KR3-600	PLATE A2, FIXING	1	1	
		20	90001-KN6-930	BOLT, SOCKET, 6X16	2	2	
		21	90084-041-000	BOLT, DRIVE SPROCKET FIXING	2	2	
		22	90451-107-000	WASHER, THRUST, 15MM	1	1	
		23	90451-365-000	WASHER, THRUST, 15MM	1	1	



**C 15**

**E - 12**

Transmission

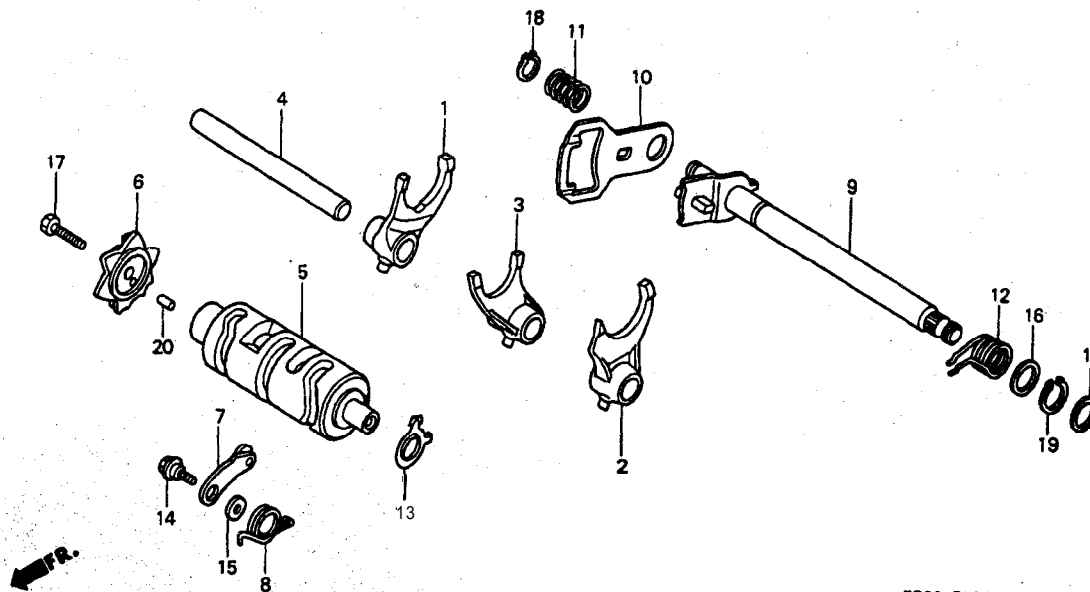


Service item Bagian yang diservis	F.R.T.	Ref. No. Nomor petunjuk	Part No. Nomor Part	Description Nama - Part	Reqd.No. Jumlah GL Max II GL PRO II	Serial No. Nomor Serie	Notes Catatan
		24	90452-437-000	WASHER, THRUST, 16.5MM.....	2 2		
		25	90453-107-000	WASHER, THRUST, 20MM. . . . .	1 1		
		26	90454-107-000	WASHER, THRUST, 20MM . . . . .	2 2		
		27	90455-107-000	WASHER, SPLINE, 20MM . . . . .	3 3		
		28	90605-200-000	SET RING, 20MM . . . . .	3 3		
		29	91005-965-691	BEARING, RADIAL BALL6006 . . . . .	1 1		
		30	91015-KK6-003	BEARING, RADIAL BALL 6202U.....	1 1		
		31	91201-KCS-920	OIL SEAL, 20X34X7 . . . . .	1 1		
		32	96100-62040-00	BEARING, RADIAL BALL. 6204 . . . . .	1 1		

C 16

E - 13

Gearshift drum



KR03-B1300

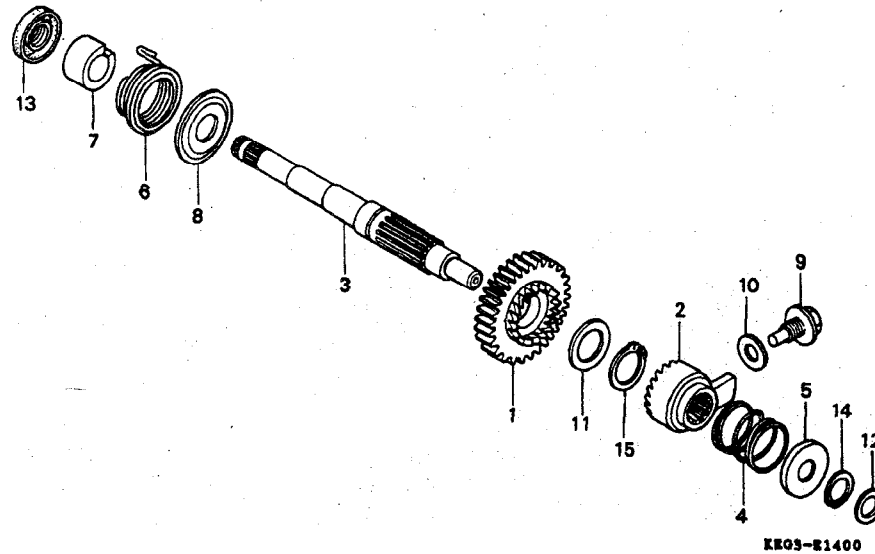
KR03E1300

Service item Bagian yang disetvis	F.R.T.	Ref. No. Nomor petunjuk	Part No. Nomor Part	Description Nama - Part	Reqd.No. Jumlah Cl. Max 1 <sup>st</sup> Col. PPG #	Serial No. Nomor Serie	Notes Catatan
FORK, GEARSHIFT.....	3.8	1	2421 1-446-650	FORK, R. GEARSHIFT.....	1	1	
(SAME TIME FOR TWO UNITS OR MORE)		2	24221427-910	FORK, L. GEARSHIFT.....	1	1	
(WAKTU SAMA UNTUK DUA UNIT ATAU LEBIH)		3	24231-107-610	FORK, CENTER GEARSHIFT.....	1	1	
. DRUM, GEARSHIFT		4	24241 -KCS-650	SHAFT, GEARSHIFT FORK GUIDE.....	1	1	
CAM, GEARSHIFT.....	0.9	5	24301-KCN-000	DRUM, GEARSHIFT.....	1	1	
. SPINDLE COMP., GEARSHIFT		6	24411-KCN-999	CAM, GEARSHIFT.....	1	1	
(INC. RELATIVE PART)		7	24430-KW1-900	STOPPER COMP., GEARSHIFT DRUM	1	1	
(TERMASUK PART YANG BERHUBUNGAN)		8	24435-KCN-000	SPRING, GEARSHIFT DRUM STOPPER	1	1	
STOPPER COMP., GEARSHIFT DRUM.....	0.8	9	2461 0-KC6-000	SPINDLE COMP., GEARSHIFT.....	1	1	
(INC. RELATIVE PART)		10	24621-107-760	PLATE, GEARSHIFT.....	1	1	
(TERMASUK PART YANG BERHUBUNGAN)		11	24631-107-000	SPRING, GEARSHIFT PLATE.....	1	1	
. PLATE, GEARSHIFT		12	24651-107-900	SPRING, GEARSHIFT RETURN.....	1	1	
		13	35753-KG2-951	ROTOR, NEUTRAL SWITCH.....	1	1	
		14	90023-KW1-900	BOLT, GEARSHIFT DRUM STOPPER	1	1	
				ARM PIVOT	1	1	
		15	90408-KW1-900	WASHER, 8MM.....	1	1	
		16	90451-001-000	WASHER, THRUST, 14MM.....	2	2	
		17	92101-06025-0A	BOLT, HEX., 6X25.....	1	1	
		18	94516-12696	CIRCLIP, EXTERNAL, 12MM.....	1	1	
		19	94510-14000	CIRCLIP, EXTERNAL, 14MM.....	1	1	
		20	9622649168	ROLLER, 4X10.....	1	1	

D 1

E - 14

Kick stater spindle



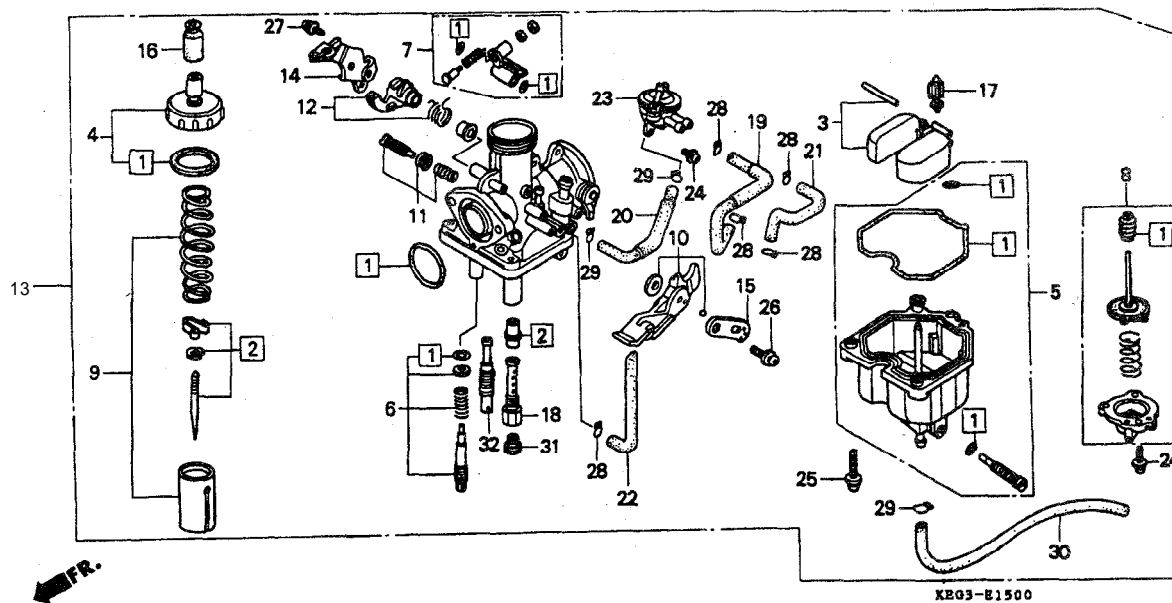
KE03-E1400

Service item Bagian yang diservis	F.R.T.	Ref. No. Nomor petunjuk	Part No. Nomor Part	Description Nama - Part	Reqd.No. Jumlah GL Max II GL PRO II	Serial No. Nomor Serie	Notes Catatan
SPINDLE, KICK STARTER ..... (INC. RELATIVE PART) (TERMASUK PART YANG BERHUBUNGAN)	*3.7	1	28211-KCT-690	PINION, KICK STARTER.....	1	1	
		2	28221-437-000	RATCHET, KICK STARTER.....	1	1	
		3	28251-KC6-000	SPINDLE, KICK STARTER .....	1	1	
		4	28253-KA2-000	SPRING, KICK STARTER RATCHET	1	1	
		5	28254-437-000	SEAT, RATCHET SPRING .....	1	1	
		6	28261-KCJ-710	SPRING, KICK STARTER .....	1	1	
		7	28262-437-000	COLLAR, KICK SPINDLE .....	1	1	
		8	28263-KCJ-710	RETAINER, STARTER SPRING .....	1	1	
		9	90004-437-000	BOLT, KICK RATCHET .....	1	1	
		10	90401-KCJ-710	WASHER, 12MM .....	1	1	
		11	90453-I 07-000	WASHER A, THRUST, 20MM .....	1	1	
		12	90459-107-000	WASHER, THRUST, 12MM .....	1	1	
		13	91204-259-003	OIL SEAL, 16X28X7 .....	1	1	
		14	94510-16000	CIRCLIP, EXTERNAL, 16MM .....	1	1	
		15	94510-20000	CIRCLIP, EXTERNAL, 20MM .....	1	1	

**D 2**

**E-15**

**Carburetor**



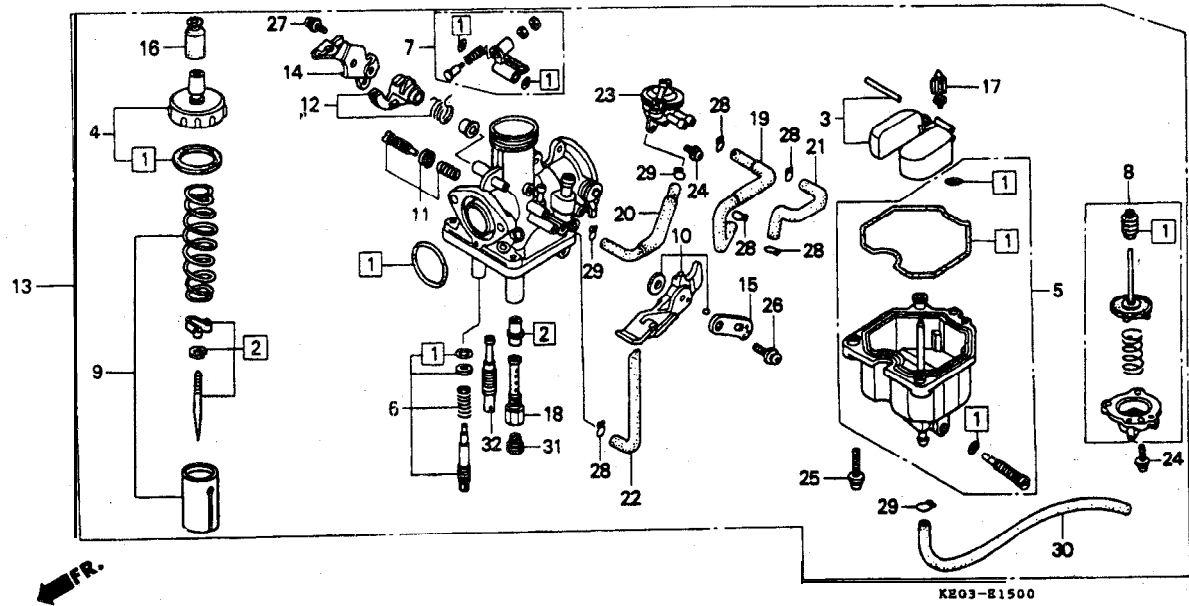
KE03-E1500

Service item Bagian yang disetvis	F.R.T.	Ref. No. Nomor petunjuk	Part No. Nomor Part	Description Nama - Part	Reqd.No. Jumlah GL Max II GL PRO II	Serial No. Nomor Serie	Notes Catatan
NEEDLE SET, JET.....	0.6	1	16010-KEH-900	GASKET SET.....	1 1		
FLOAT SET .....	0.5	2	16012-KEG-900	NEEDLE SET, JET .....	1 -		
VALVE COMP., FLOAT JET, MAIN,			1601 2-KEH-900	NEEDLE SET, JET .....	- 1		
TOP SET.....	0.2	3	16013-KEH-900	FLOAT SET .....	1 1		
CHAMBER SET, FLOAT .....	0.3	4	16014-440-912	TOP SET .....	1 1		
VALVE SET, THROTTLE CARBURETOR ASSY .....	0.4	5	16015-KEG-900 16015-KEH-900	CHAMBER SET, FLOAT..: CHAMBER SET, FLOAT .....	1 - - 1		
		6	16016-KCT-690	SCREW SET A.....	1 1		
		7	16018-KEH-900	ARM SET, PUMP .....	1 1		
		8	16021-KYO-600 16021-KC5-004	DIAPHRAGM SET, PUMP .....	1 -		
		9	16022-KEG-900 16022-KEH-900	DIAPHRAGM SET, PUMP .....	- 1		
		10	16025-KEH-900	VALVE SET, THROTTLE .....	1 -		
		11	16028-KEH-900	VALVE SET, THROTTLE .....	- 1		
		12	16031-KEG-900 16031-KEH-900	LEVER SET, CHOKE .....	1 1		
		13	161 00-KEG-900 16100-KEH-900	SCREW SET B.....	1 1		
		14	16119-KEH-900	ARM SET B, LINK .....	1 1		
		15	16119-440-004	ARM SET B, LINK .....	- 1		
		16	16148-KB1-921	CARBURETOR ASSY .....	1 -		
		17	16155-413-751	CARBURETORASSY .....	- 1		
		18	16165-KEG-900 16165-KEH-900	PLATE, STAY .....	1 1		
		19	16196-KEH-900	PLATE, STAY .....	1 1		
		20	16197-KEH-900	CAP, CABLE SEALING .....	1 1		
				VALVE COMP., FLOAT .....	1 1		
				HOLDER, NEEDLE JET .....	1 -		
				HOLDER, NEEDLE JET .....	- 1		
				TUBE COMP.....	- 1		
				TUBE COMP.....	- 1		

D 3

E - 15

Carburetor



KE03-B1500

Service item Bagian yang diservis	F.R.T.	Ref. No. Nomor petunjuk	Part No. Nomor Part	Description Nama - Part	Reqd.No. Jumlah GL Max II GL PRO II	Serial No. Nomor Serie	Notes Catatan
		21	16198-KEH-900	TUBE.....	- 1		
		22	16199-KEH-900	TUBE, AIR VENT.....	- 1		
		23	1651 O-KEH-900	VALVE ASSY., AIR CUT.....	- 1		
		24	93892-04012-18	SCREW-WASHER, 4X12.....	3 5		
		25	93892-04016-18	SCREW-WASHER, 4X16.....	3 3		
		26	93892-05012-18	SCREW-WASHER, 5X12.....	1 1		
		27	93892-05014-18	SCREW-WASHER, 5X14.....	1 1		
		28	95002-02089	CLIP, TUBE (88).....	1 5		
		29	95002-02659	CLIP, TUBE (86.5).....	1 3		
		30	95005-35420-50	TUBE.....	1 1		
		31	99101-GHB-105	JET, MAIN, #105.....	1		
			99101-GHB-108	JET, MAIN, #108.....	- 1		
		32	99104-KEG-900	JET, SLOW, #40.....	1		
			99103-437-038	JET, SLOW, #38.....	- 1		