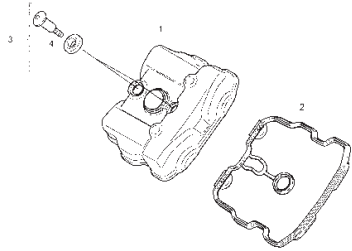


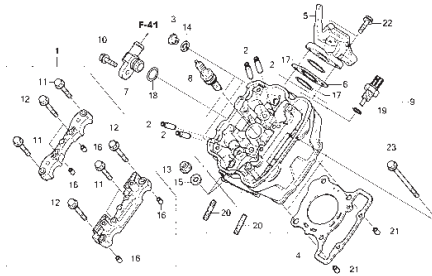
KELOMPOK MESIN

E-1 CYLINDER HEAD COVER



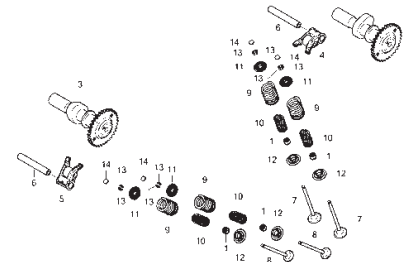
K598D120

E-2 CYLINDER HEAD



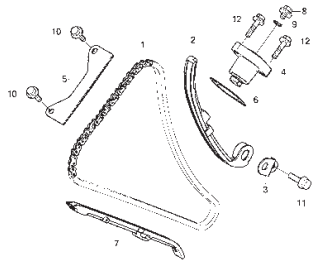
K598D120

E-3 CAMSHAFT/VALVE



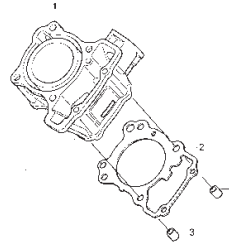
K598D120

E-4 CAM CHAIN/TENSIONER



K598D120

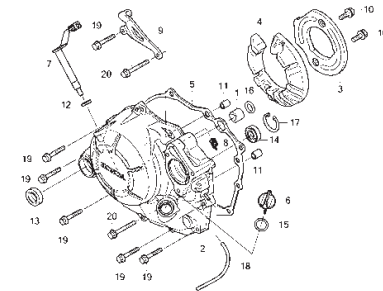
E-5 CYLINDER



FR.

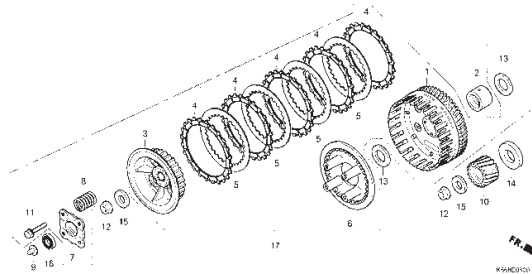
K598D120

E-6 RIGHT CRANKCASE COVER



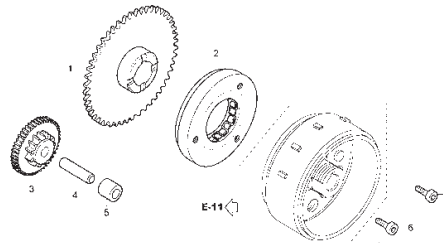
K598D120

E-8 CLUTCH



K598D120

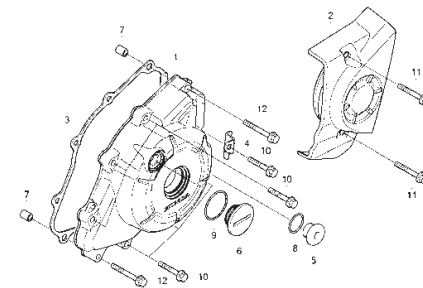
E-9 STARTING CLUTCH



FR.

K598D120

E-10 LEFT CRANKCASE COVER



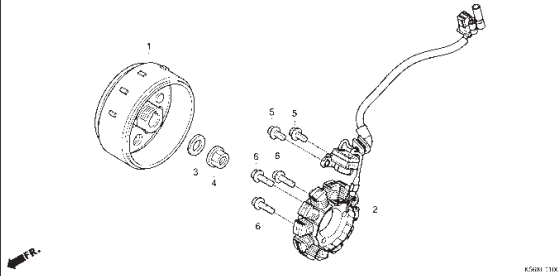
K598D120

2

KELOMPOK MESIN

E-11

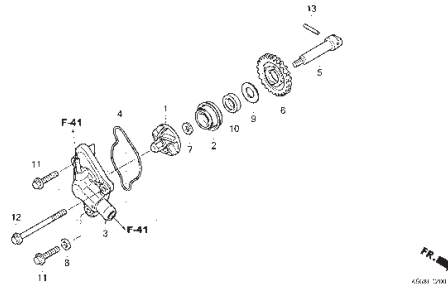
GENERATOR



K56H1100

E-12

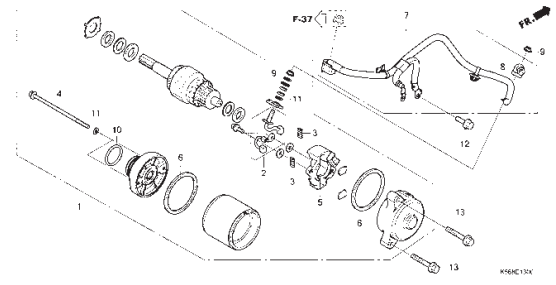
WATER PUMP



K56H1200

E-13

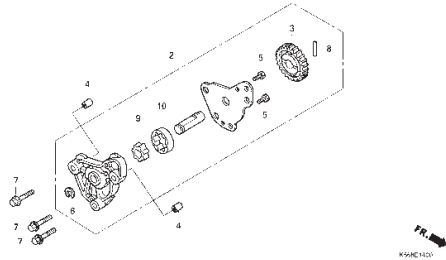
STARTER MOTOR



K56H1304

E-14

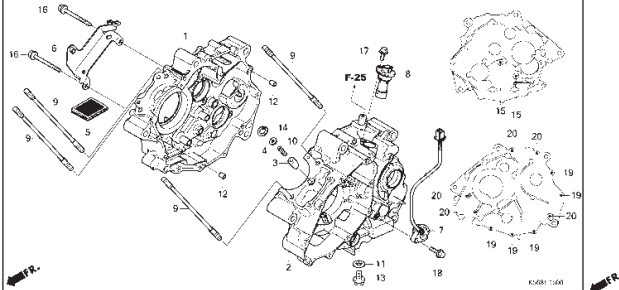
OIL PUMP



K56H1402

E-15

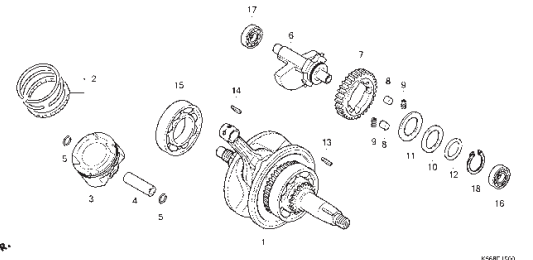
CRANKCASE



K56H1500

E-16

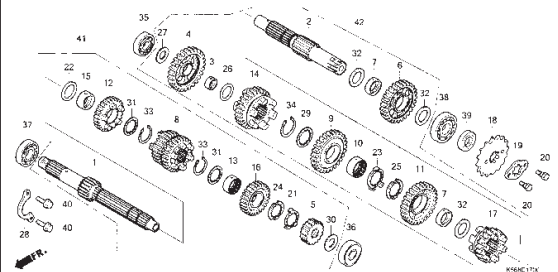
CRANKSHAFT/PISTON



K56H1500

E-17

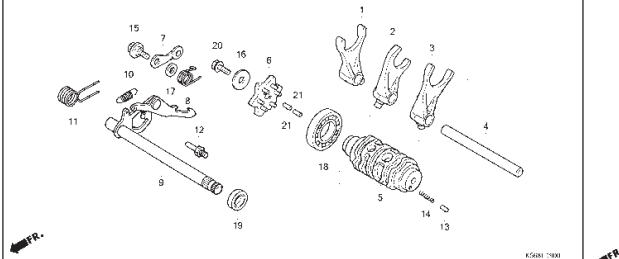
TRANSMISSION



K56H1704

E-19

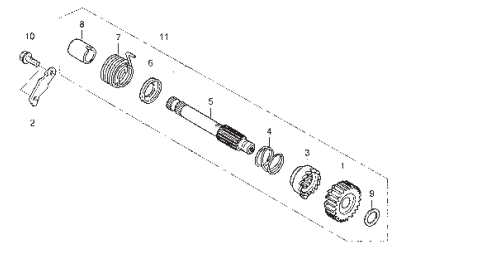
GEARSHIFT DRUM



K56H1900

E-20

KICK STARTER SPINDLE



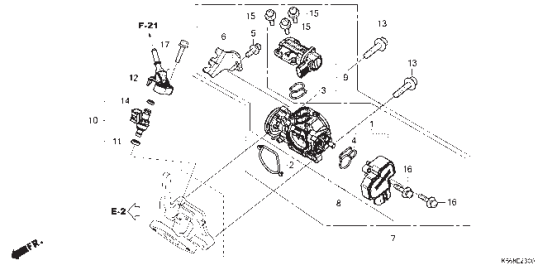
K56H2000

2

KELOMPOK MESIN

E-23

THROTTLE BODY

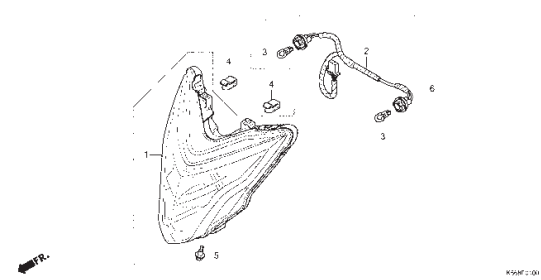


2

KELOMPOK RANGKA

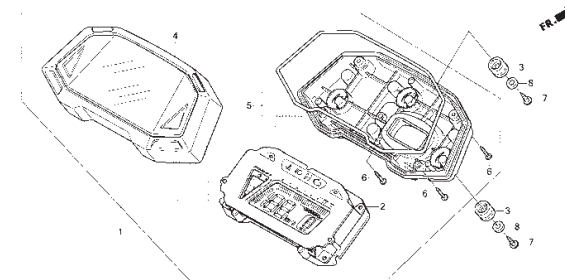
F-1

HEADLIGHT



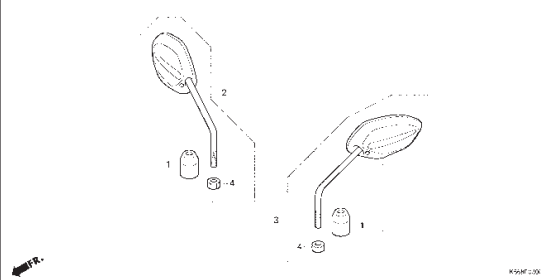
F-2

METER



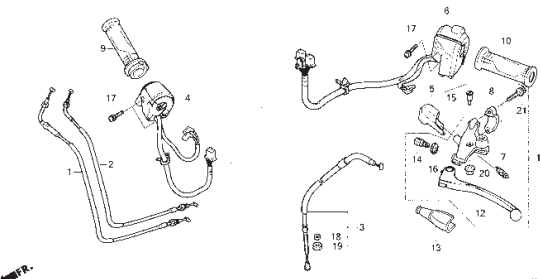
F-3

MIRROR



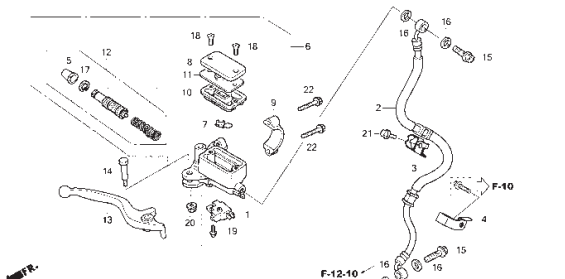
F-4

HANDLE LEVER/SWITCH/CABLE



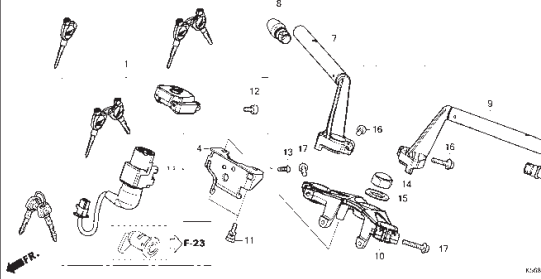
F-5

FRONT BRAKE
MASTER CYLINDER



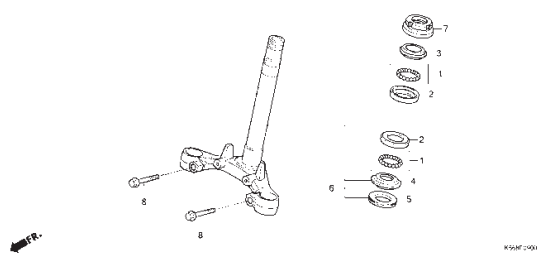
F-7

HANDLE PIPE/TOP BRIDGE



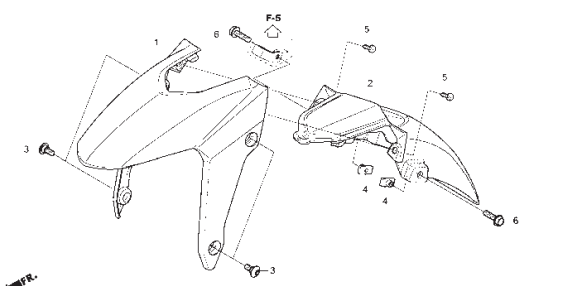
F-9

STEERING STEM



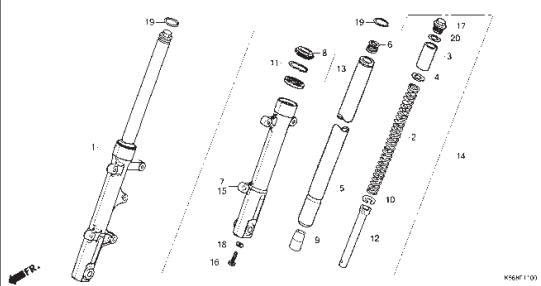
F-10

FRONT FENDER



F-11

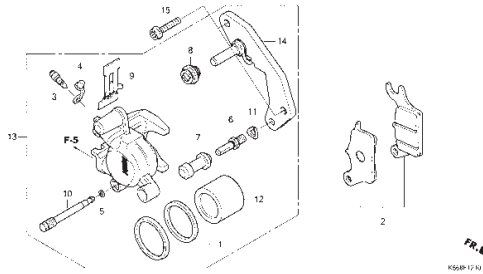
FRONT FORK



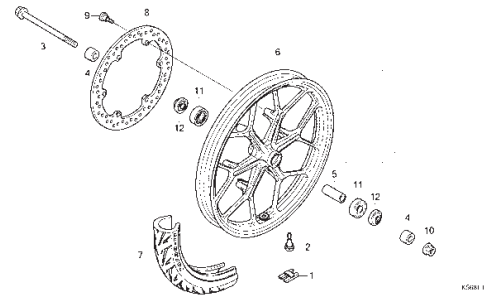
3

KELOMPOK RANGKA

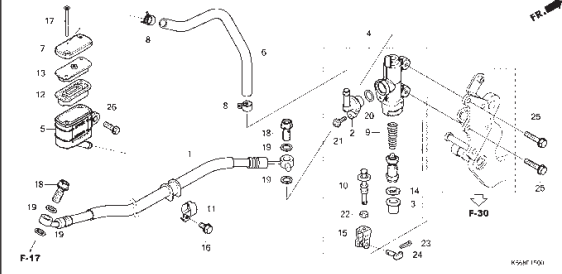
F-12-10 FRONT BRAKE CALIPER



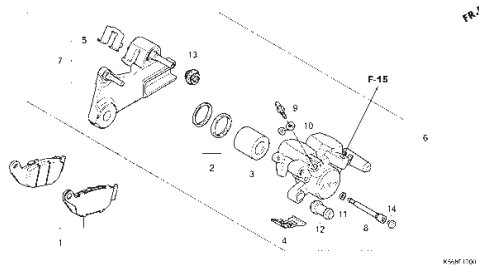
F-14-40 FRONT WHEEL



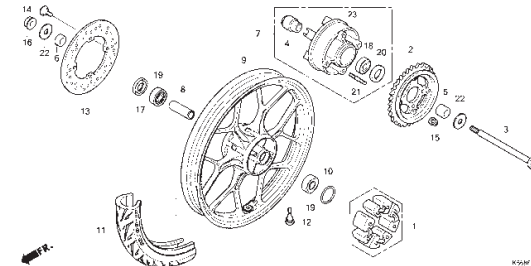
F-15 REAR BRAKE MASTER CYLINDER



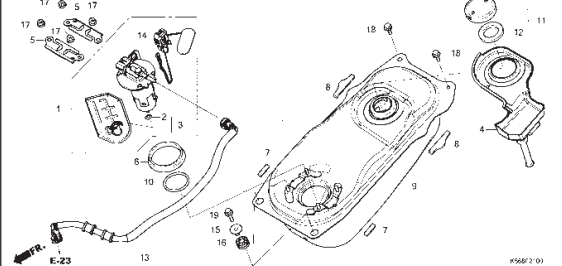
F-17 REAR BRAKE CALIPER



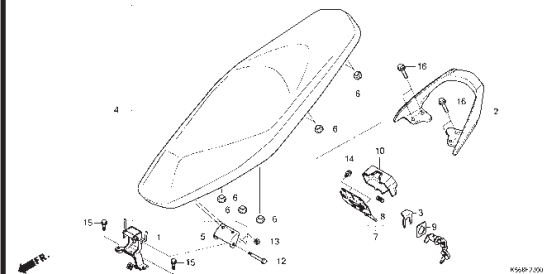
F-19-40 REAR WHEEL



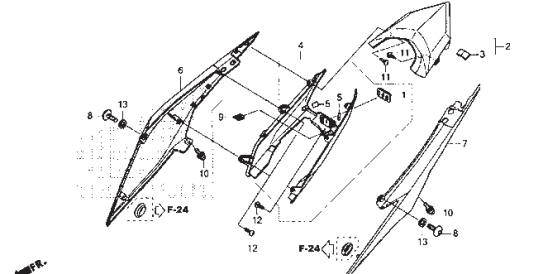
F-21 FUEL TANK



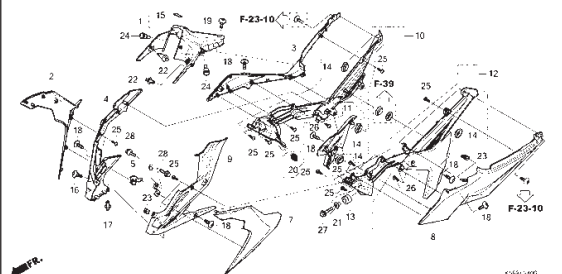
F-23 SEAT



F-23-10 BODY COVER



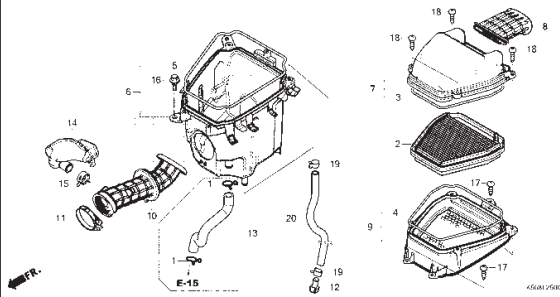
F-24 SIDE COVER



KELOMPOK RANGKA

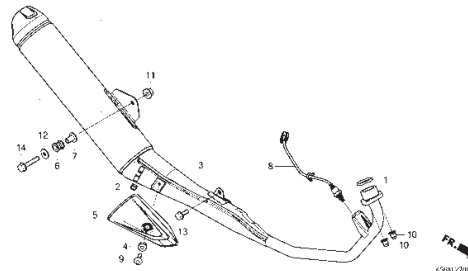
F-25

AIR CLEANER



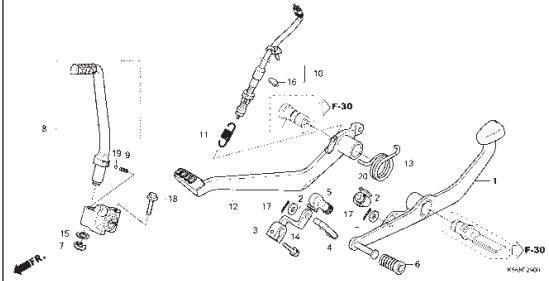
F-27

EXHAUST MUFFLER



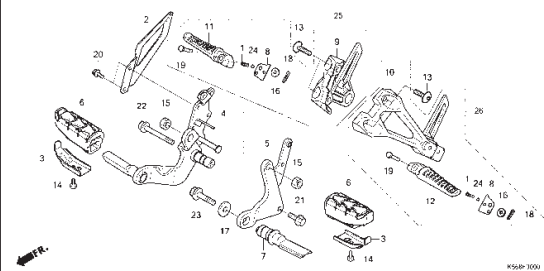
F-29

PEDAL



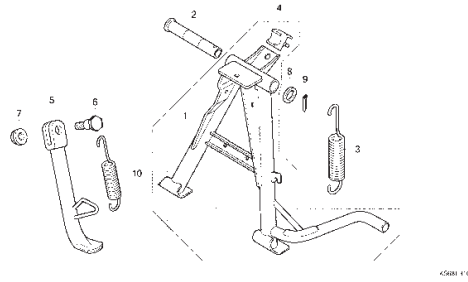
F-30

STEP



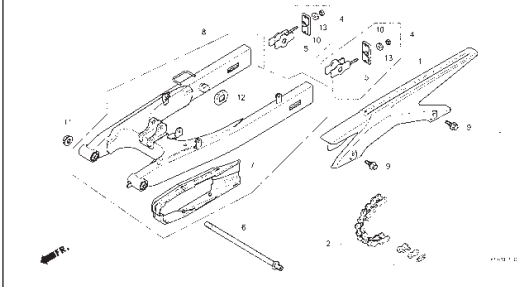
F-31

STAND



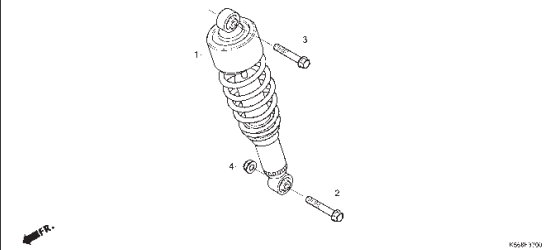
F-32

SWINGARM



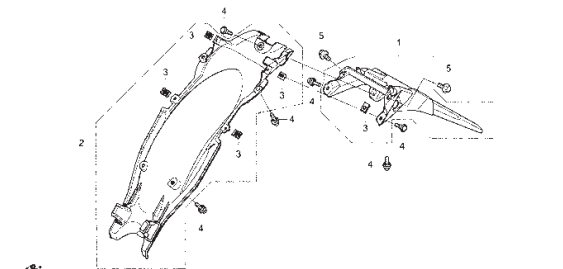
F-33

REAR CUSHION

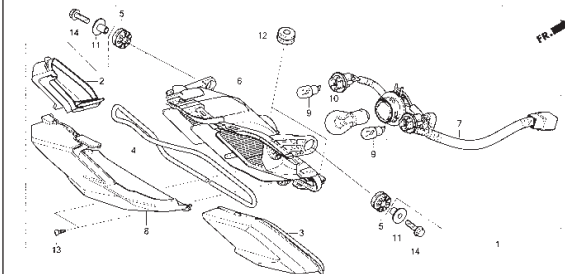


F-34

REAR FENDER



F-36-10 REAR COMBINATION LIGHT

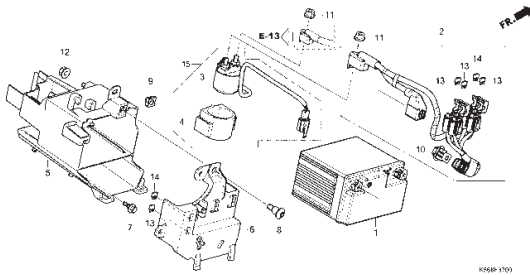


3

KELOMPOK RANGKA

F-37

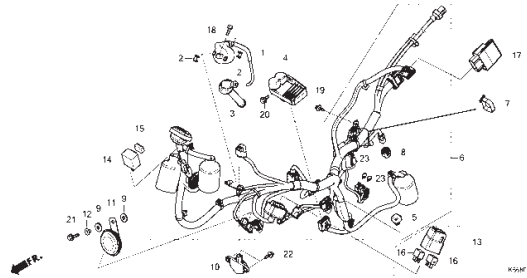
BATTERY



K56P-1100

F-38

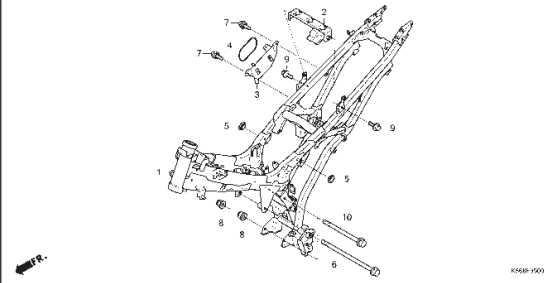
WIRE HARNESS



K56F-1001

F-39

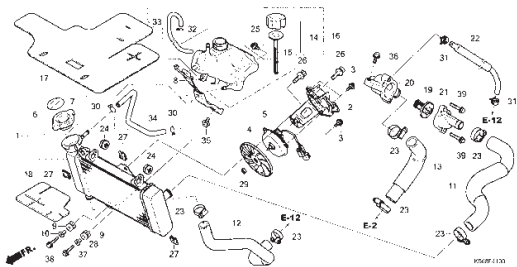
FRAME BODY



K56P-1100

F-41

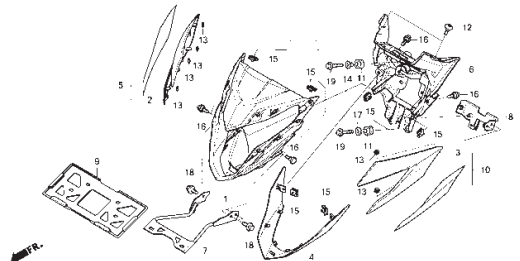
RADIATOR



K56F-1101

F-43

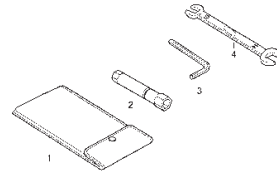
FRONT COWL



K56F-1101

F-48

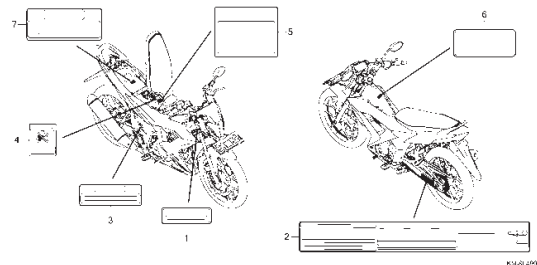
TOOLS



K56F-1101

F-49

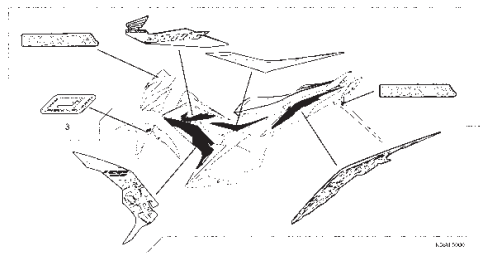
CAUTION LABEL



K56R-1100

F-50

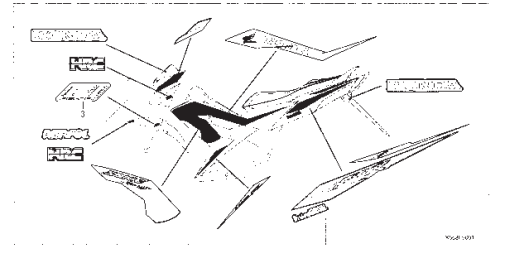
MARK/STRIPE(FS150R-STANDARD)



K56R-1100

F-50-1

MARK/STRIPE(FS150R-REPSOL)

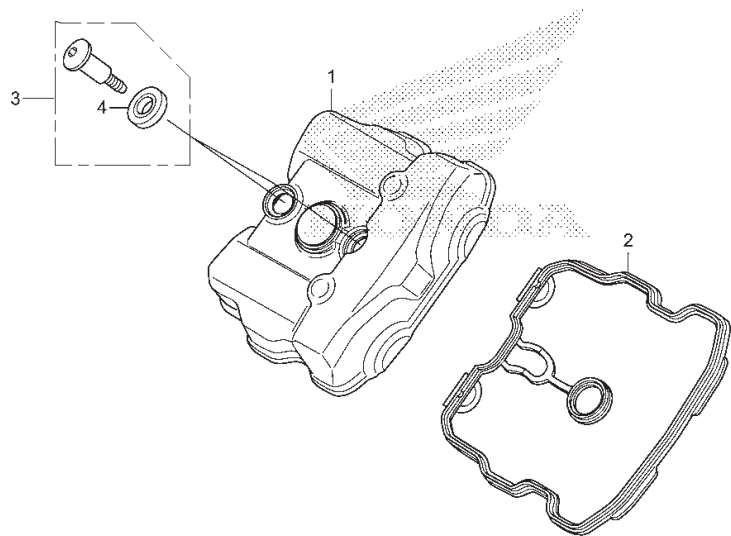


K56R-1101

3

E-1

CYLINDER HEAD COVER



No. Ref.	L.O.N.	(Nomor ref. relatif) Deskripsi	F.R.T.
1	1111C4	COVER, CYLINDER HEAD.....	0,8
2	1111D2	GASKET, CYLINDER HEAD COVER....	0,8

FR.

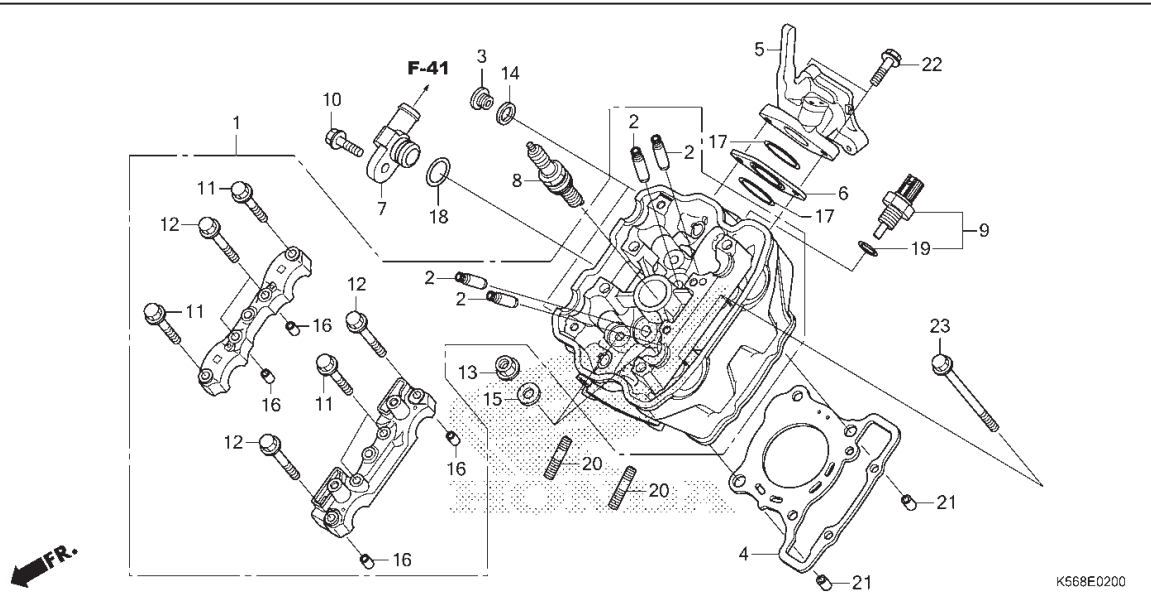
K568E0100

No. Ref.	No. Part	Deskripsi	Jumlah SONIC 150R (FS150R) 2015(G)	No. Seri	Kode Parts Catalog
1	12311-K56-N20	COVER, CYLINDER HEAD	1	REPSOL
	12311-K56-N00	1	STANDARD
2	12391-K56-N00	GASKET COMP., CYLINDER HEAD COVER	1		
3	9001A-KWC-900	BOLT, HEAD COVER	2		
4	90543-MV9-671	RUBBER, MOUNTING	2		

2

E-2

CYLINDER HEAD



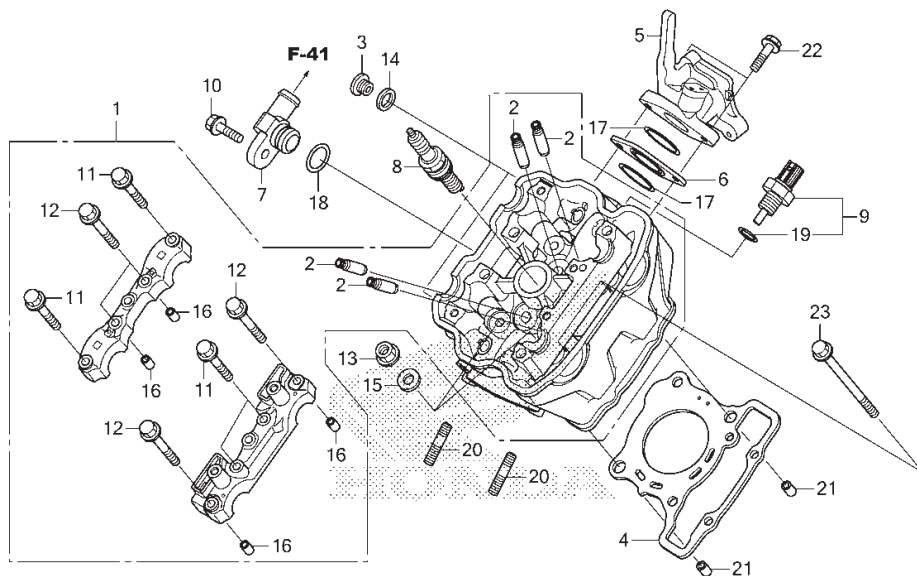
No. Ref.	L.O.N.	(Nomor ref. relatif) Deskripsi	F.R.T.
1	111106	HEAD, CYLINDER.....	3,4
		.TERMASUK: Penyetelan dan skir klep	
2	1111L9	GUIDE, INTAKE VALVE(SATU).....	3,0
		.TERMASUK: Reaming	
		.TERMASUK: Penyetelan dan skir klep	
	1111L9A	.Ganti semua intake valve guide tambahkan.....	0,3
	1111MO	GUIDE, EXHAUST VALVE(SATU).....	3,0
		.TERMASUK: Reaming	
		.TERMASUK: Penyetelan dan skir klep	
	1111MOA	.Ganti semua intake valve guide tambahkan.....	0,3
	1111M9	GUIDE, VALVE :UNTUK 1 KENDARAAN	3,9
		.TERMASUK: Reaming	
		.TERMASUK: Penyetelan dan skir klep	
4	111115	GASKET, CYLINDER HEAD.....	2,1
5		(6,17)	
	111107	MANIFOLD, INTAKE.....	0,8

No. Ref.	No. Part	Deskripsi	Jumlah SONIC 150R (FS150R) 2015(G)	No. Seri	Kode Parts Catalog
1	12010-K56-N00	HEAD ASSY., CYLINDER	1		
2	12205-KYJ-305	GUIDE, EX. VALVE(O.S.)	4		
3	12207-KYJ-900	BOLT, SEALING, 12MM	2		
4	12251-K56-N01	GASKET, CYLINDER HEAD (STD./O.25/O.50)	1		
	12251-K56-N02	GASKET, CYLINDER HEAD(NLK) (STD./O.25/O.50)	1		
5	17111-K56-N00	PIPE, IN.	1		
6	17119-K56-N00	INSULATOR, IN. PIPE	1		
7	19064-KPP-900	JOINT, WATER	1		
8	31919-K25-601	PLUG, SPARK(MR9C-9N)(NG)	1		
	31919-K25-602	PLUG, SPARK(U27EPR-N9)(DS)	1		
9	37870-KZR-601	SENSOR ASSY., WATER TEMP	1		
10	90004-GHB-661	BOLT, FLANGE, 6X22	1		
11	90017-K56-N00	BOLT, FLANGE, 6X32	4		
12	90019-K56-N00	BOLT, FLANGE, 6X40	4		
13	90202-KGB-611	NUT, FLANGE, 8MM	4		
14	90418-KYJ-900	WASHER, 12.2X17X1.5	2		
15	90483-K15-900	WASHER, 8MM	4		
16	90702-KRM-840	DOWEL PIN, 8X14	4		
	94301-08141	4		
17	91301-K56-N00	O-RING, IN. PIPE	2		
18	91301-KV7-671	O-RING, 14.8X1.9	1		
19	91307-PLC-004	O-RING, 9.5X1.9	1		
20	92900-08025-OE	BOLT, STUD, 8X25	2		



E-2

CYLINDER HEAD



K568E0200

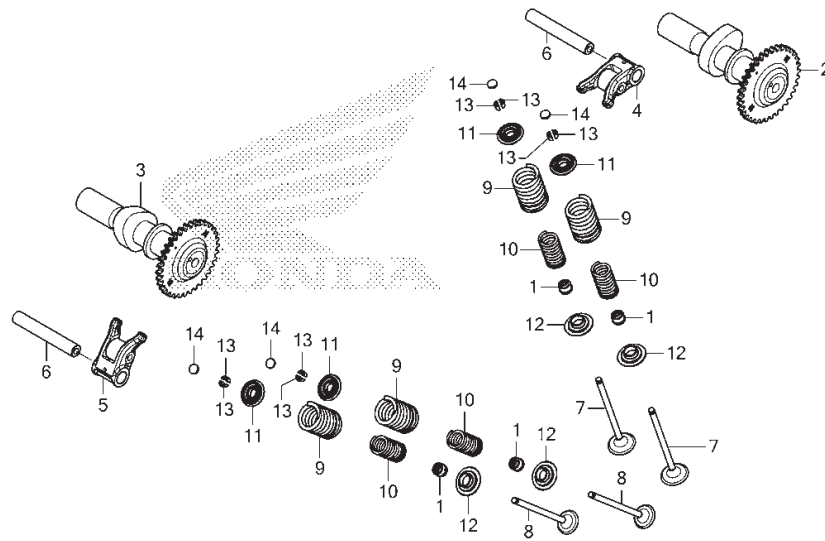
No. Ref.	L.O.N.	(Nomor ref. relatif) Deskripsi	F.R.T.
7		(18)	
8	114150	JOINT, WATER.....	0,7
9	614130	PLUG, SPARK.....	0,6
		(19)	
	6171A9	SENSOR, WATER TEMP.....	0,8

No. Ref.	No. Part	Deskripsi	Jumlah SONIC 150R (FS150R) 2015(G)	No. Seri	Kode Parts Catalog
21	94301-10120	DOWEL PIN, 10X12	2		
22	95701-06025-00	BOLT, FLANGE, 6X25	2		
23	95701-06115-00	BOLT, FLANGE, 6X115	2		

2

E-3

CAMSHAFT/VALVE



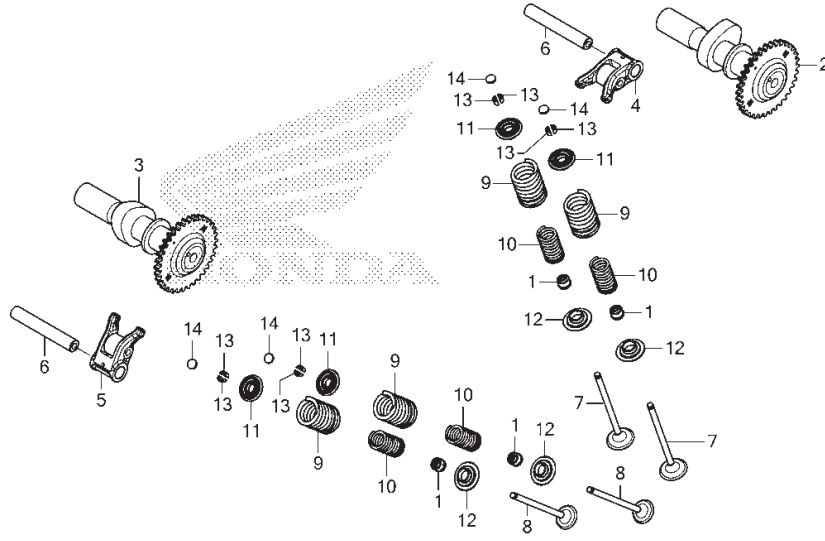
No. Ref.	L.O.N.	(Nomor ref. relatif) Deskripsi	F.R.T.
2	1111E5	CAMSHAFT :INTAKE..... .TERMASUK: Penyetelan jarak renggang klep	1,6
3	1111E6	CAMSHAFT :EXHAUST..... .TERMASUK: Penyetelan jarak renggang klep	1,6
	1111T4	CAMSHAFT :UNTUK 1 KENDARAAN.... .TERMASUK: Penyetelan jarak renggang klep	1,7
4	1111K8	ARM, INTAKE VALVE ROCKER(SATU) .TERMASUK: Penyetelan klep	1,5
5	1111K9	ARM, EXHAUST VALVE ROCKER(SATU) .TERMASUK: Penyetelan klep	1,5
	1111L8	ARM, VALVE ROCKER :UNTUK 1 KENDARAAN..... .TERMASUK: Penyetelan klep	1,5
7	1111N0	VALVE, INTAKE(SATU)..... .TERMASUK: Refacing	2,5
	1111N0A	.Ganti semua intake valve tambahkan	0,2
8	1111N1	VALVE, EXHAUST(SATU)..... .TERMASUK: Refacing	2,5
	1111N1A	.Ganti semua intake valve tambahkan	0,2

No. Ref.	No. Part	Deskripsi	Jumlah SONIC 150R (FS150R) 2015(G)	No. Seri	Kode Parts Catalog
1	12209-K56-N01	SEAL, VALVE STEM(NO)	4		
	12209-MLO-722	SEAL, VALVE STEM(AR)	4		
2	14110-K56-N00	CAMSHAFT COMP., IN.	1		
3	14210-K56-N00	CAMSHAFT COMP., EX.	1		
4	14430-K56-N00	ARM COMP., IN. VALVE ROCKER ...	1		
5	14440-K56-N00	ARM COMP., EX. VALVE ROCKER ...	1		
6	14451-K56-N00	SHAFT, ROCKER ARM	2		
7	14711-K56-N00	VALVE, IN.	2		
8	14721-K56-N00	VALVE, EX.	2		
9	14751-K56-N01	SPRING, VALVE OUTER	4		
10	14761-K56-N01	SPRING, VALVE INNER	4		
11	14771-MFL-000	RETAINER, VALVE SPRING	4		
12	14775-K56-N00	SEAT, VALVE SPRING	4		
13	14781-MLO-720	COTTER, VALVE	8		
14	14913-KT7-013	SHIM, TAPPET(1.500)	4		
	14914-KT7-013	SHIM, TAPPET(1.525)	4		
	14915-KT7-013	SHIM, TAPPET(1.550)	4		
	14916-KT7-013	SHIM, TAPPET(1.575)	4		
	14917-KT7-013	SHIM, TAPPET(1.600)	4		
	14918-KT7-013	SHIM, TAPPET(1.625)	4		
	14919-KT7-013	SHIM, TAPPET(1.650)	4		
	14920-KT7-013	SHIM, TAPPET(1.675)	4		
	14921-KT7-013	SHIM, TAPPET(1.700)	4		
	14922-KT7-013	SHIM, TAPPET(1.725)	4		
	14923-KT7-013	SHIM, TAPPET(1.750)	4		
	14924-KT7-013	SHIM, TAPPET(1.775)	4		



E-3

CAMSHAFT/VALVE



No. Ref.	L.O.N.	(Nomor ref. relatif) Deskripsi	F.R.T.
(8)	1111P0	VALVE :UNTUK 1 KENDARAAN.....	3,1
		TERMASUK: Refacing (1,10,11,12,13)	
9	1111P2	INTAKE VALVE SPRING DAN/ATAU STEM SEAL(SATU).....	2,3
	1111P2A	.Ganti semua intake valve tambahkan	0,1
	1111P3	EXHAUST VALVE SPRING DAN/ATAU STEM SEAL(SATU).....	2,3
	1111P3A	.Ganti semua intake valve tambahkan	0,1
	1111Q2	VALVE SPRING DAN/ATAU STEM SEAL :UNTUK 1 KENDARAAN.....	2,6

FR.

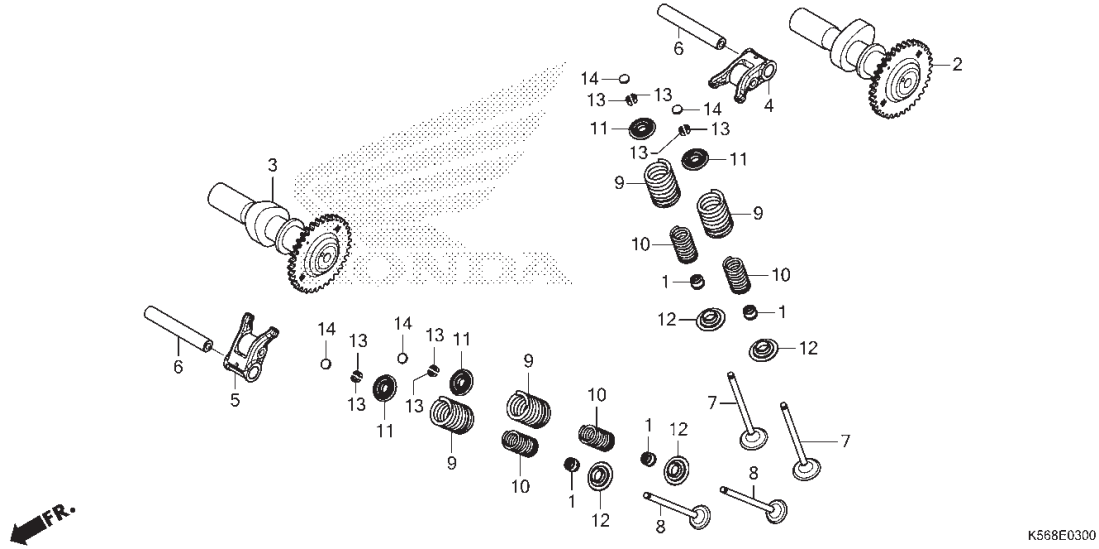
K568E0300

No. Ref.	No. Part	Deskripsi	Jumlah SONIC 150R (FS150R) 2015(G)	No. Seri	Kode Parts Catalog
(14)	14925-KT7-013	SHIM, TAPPET (1.800)	4		
	14926-KT7-013	SHIM, TAPPET (1.825)	4		
	14927-KT7-013	SHIM, TAPPET (1.850)	4		
	14928-KT7-013	SHIM, TAPPET (1.875)	4		
	14929-KT7-013	SHIM, TAPPET (1.900)	4		
	14930-KT7-013	SHIM, TAPPET (1.925)	4		
	14931-KT7-013	SHIM, TAPPET (1.950)	4		
	14932-KT7-013	SHIM, TAPPET (1.975)	4		
	14933-KT7-013	SHIM, TAPPET (2.000)	4		
	14934-KT7-013	SHIM, TAPPET (2.025)	4		
	14935-KT7-013	SHIM, TAPPET (2.050)	4		
	14936-KT7-013	SHIM, TAPPET (2.075)	4		
	14937-KT7-013	SHIM, TAPPET (2.100)	4		
	14938-KT7-013	SHIM, TAPPET (2.125)	4		
	14939-KT7-013	SHIM, TAPPET (2.150)	4		
	14940-KT7-013	SHIM, TAPPET (2.175)	4		
	14941-KT7-013	SHIM, TAPPET (2.200)	4		
	14942-KT7-013	SHIM, TAPPET (2.225)	4		
	14943-KT7-013	SHIM, TAPPET (2.250)	4		
	14944-KT7-013	SHIM, TAPPET (2.275)	4		
	14945-KT7-013	SHIM, TAPPET (2.300)	4		
	14946-KT7-013	SHIM, TAPPET (2.325)	4		
	14947-KT7-013	SHIM, TAPPET (2.350)	4		
	14948-KT7-013	SHIM, TAPPET (2.375)	4		
	14949-KT7-013	SHIM, TAPPET (2.400)	4		
	14950-KT7-013	SHIM, TAPPET (2.425)	4		
	14951-KT7-013	SHIM, TAPPET (2.450)	4		
	14952-KT7-013	SHIM, TAPPET (2.475)	4		

2

E-3

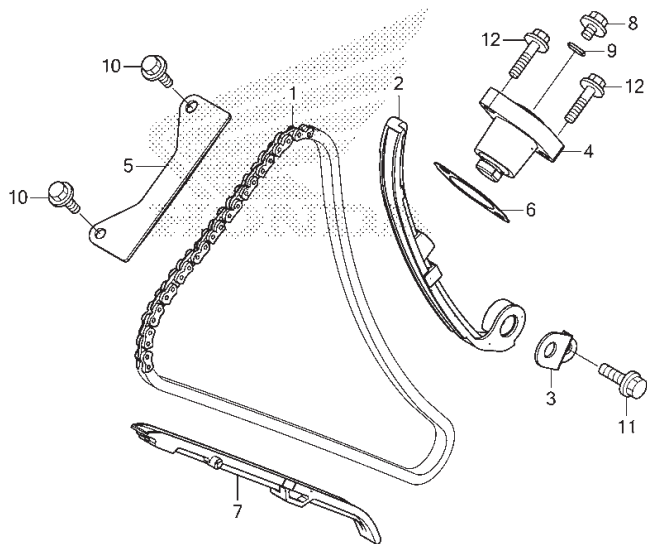
CAMSHAFT/VALVE



No. Ref.	No. Part	Deskripsi	Jumlah SONIC 150R (FS150R) 2015(G)	No. Seri	Kode Parts Catalog
(14)	14953-KT7-013	SHIM, TAPPET(2.500)	4		
	14954-KT7-013	SHIM, TAPPET(2.525)	4		
	14955-KT7-013	SHIM, TAPPET(2.550)	4		
	14956-KT7-013	SHIM, TAPPET(2.575)	4		
	14957-KT7-013	SHIM, TAPPET(2.600)	4		
	14958-KT7-013	SHIM, TAPPET(2.625)	4		
	14959-KT7-013	SHIM, TAPPET(2.650)	4		
	14960-KT7-013	SHIM, TAPPET(2.675)	4		
	14961-KT7-013	SHIM, TAPPET(2.700)	4		
	14962-KT7-013	SHIM, TAPPET(2.725)	4		
	14963-KT7-013	SHIM, TAPPET(2.750)	4		
	14964-KT7-013	SHIM, TAPPET(2.775)	4		
	14965-KT7-013	SHIM, TAPPET(2.800)	4		
	14966-KT7-013	SHIM, TAPPET(2.825)	4		
	14967-KT7-013	SHIM, TAPPET(2.850)	4		
	14968-KT7-013	SHIM, TAPPET(2.875)	4		
	14969-KT7-013	SHIM, TAPPET(2.900)	4		

E-4

CAM CHAIN/TENSIONER



K568E0400

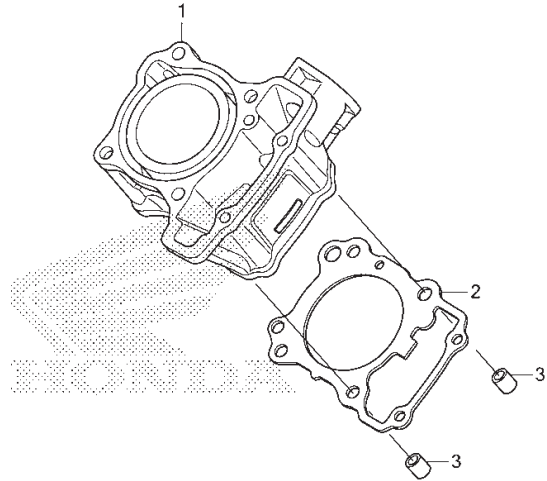
No. Ref.	L.O.N.	(Nomor ref. relatif) Deskripsi	F.R.T.
1	110140	CHAIN, CAM.....	1,9
2	111130	TENSIONER, CAM CHAIN.....	1,9
4		(6)	
	111133	LIFTER, TENSIONER.....	0,6
5	1111G9	GUIDE B, CAM CHAIN.....	0,8
7	111139	GUIDE, CAM CHAIN.....	2,1

No. Ref.	No. Part	Deskripsi	Jumlah SONIC 150R (FS150R) 2015(G)	No. Seri	Kode Parts Catalog
1	14401-K56-N01	CHAIN, CAM(120L)	1		
2	14510-K56-N00	TENSIONER COMP., CAM CHAIN	1		
3	14515-K56-N00	PLATE, TENSIONER SETTING	1		
4	14520-KPP-T01	LIFTER ASSY., TENSIONER	1		
5	14546-K56-N00	GUIDE B, CAM CHAIN	1		
6	14560-KSP-910	GASKET, TENSIONER LIFTER	1		
7	14611-K56-N00	GUIDE A, CAM CHAIN	1		
8	90005-K56-N00	BOLT, FLANGE, 6X6	1		
9	91306-MG3-001	O-RING, 1.5X9.5	1		
10	95701-06014-0	BOLT, FLANGE, 6X14	2		
11	96001-06014-00	BOLT, FLANGE, 6X14	1		
12	96001-06022-00	BOLT, FLANGE, 6X22	2		

2

E-5

CYLINDER



K668E0500

No. Ref.	L.O.N.	(Nomor ref. relatif) Deskripsi	F.R.T.
1	1111A5	CYLINDER.....	2,3
2	111102	GASKET, CYLINDER.....	2,2

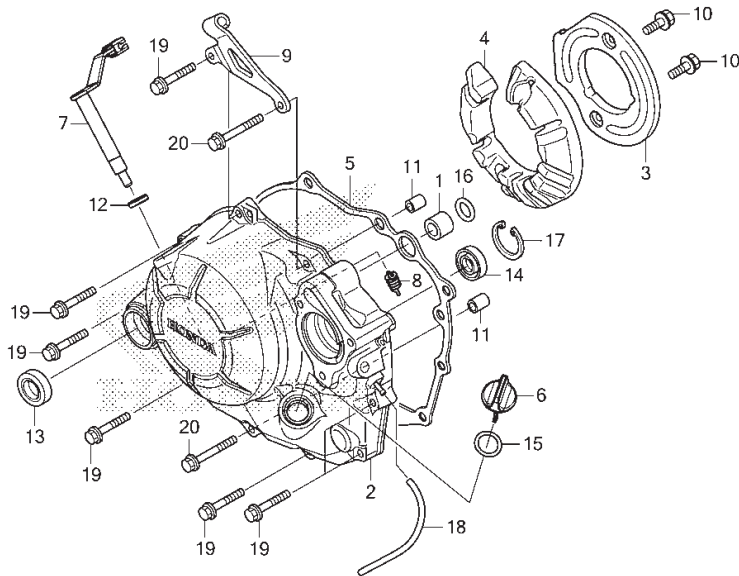
←FR.

No. Ref.	No. Part	Deskripsi	Jumlah SONIC 150R (FS150R) 2015(G)	No. Seri	Kode Parts Catalog
1	12100-K56-N00	CYLINDER COMP.	1		
2	12191-K56-N01	GASKET, CYLINDER	1		
3	94301-10120	DOWEL PIN, 10X12	2		



E-6

RIGHT CRANKCASE COVER



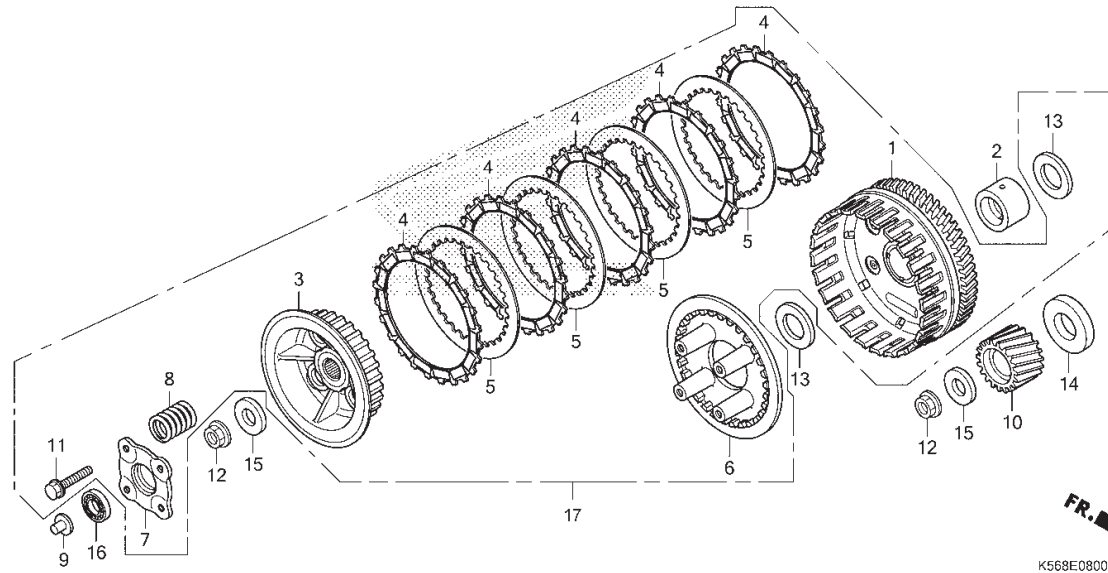
No. Ref.	L.O.N.	(Nomor ref. relatif) Deskripsi	F.R.T.
2	110159	COVER, CRANKCASE :RIGHT..... (16)	1,7
5	110158	GASKET, CRANKCASE COVER :RIGHT (12)	1,1
7	2121A7	LEVER, CLUTCH.....	1,1
13	112105	OIL SEAL, KICK STARTER SPINDLE	1,2
14	1101K3	OIL SEAL, CRANKCASE COVER :RIGHT.....	1,2

No. Ref.	No. Part	Deskripsi	Jumlah SONIC 150R (FS150R) 2015(G)	No. Seri	Kode Parts Catalog
1	11102-K56-N00	COLLAR, WATER PASS, 13X8	1		
2	11330-K56-N20	COVER COMP., R. CRANKCASE	1	REPSOL
	11330-K56-N00	1	STANDARD
3	11333-KGH-901	PLATE, R. COVER	1		
4	11334-K56-N00	RUBBER, R. COVER	1		
5	11394-K56-N00	GASKET, R. CRANKCASE COVER	1		
6	15651-KGH-900	GAUGE, OIL LEVEL	1		
7	22810-K56-N00	LEVER COMP., CLUTCH	1		
8	22815-KM7-700	SPRING, CLUTCH LEVER	1		
9	22821-K56-N00	RECEIVER, CLUTCH CABLE	1		
10	90001-K56-N00	BOLT, FLANGE, 6X14	2		
11	90702-HC4-001	DOWEL PIN, 8X16	2		
12	91202-KSP-911	OIL SEAL, 12X18X4	1		
13	91204-MC7-003	OIL SEAL, 16X28X7	1		
14	91205-KF0-003	OIL SEAL, 12X20X5	1		
15	91307-035-005	O-RING, 18X3	1		
16	91322-K56-N01	O-RING, 12.8X1.8	1		
17	94520-22000	CIRCLIP, INTERNAL, 22MM	1		
18	95005-50180-30	TUBE, 5X180(95005-50001-30M) ..	1		
19	96001-06030-00	BOLT, FLANGE, 6X30	7		
20	96001-06040-00	BOLT, FLANGE, 6X40	2		

2

E-8

CLUTCH



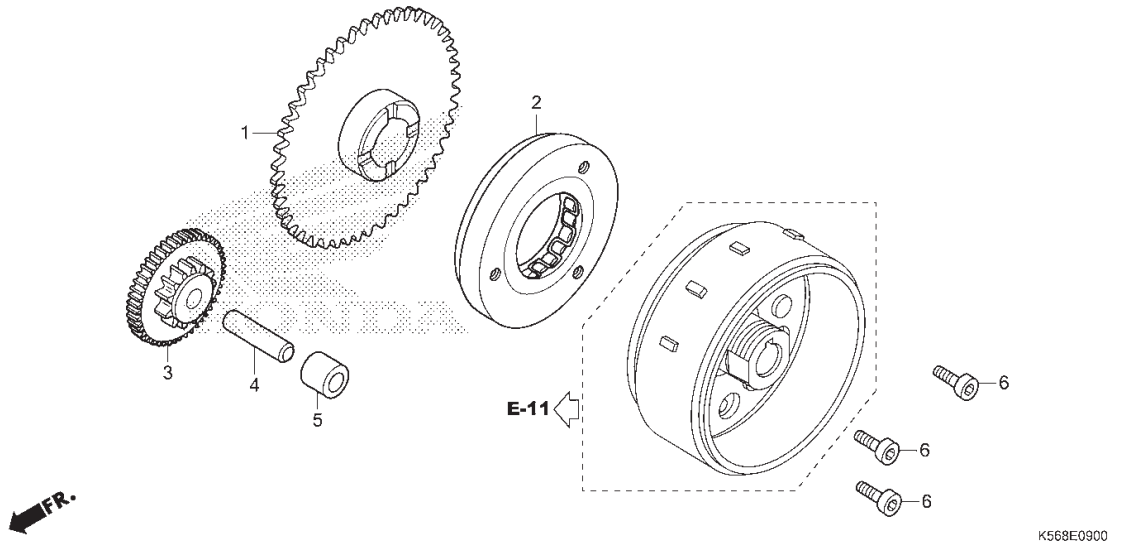
No. Ref.	L.O.N.	(Nomor ref. relatif) Deskripsi	F.R.T.
1	2121A0	OUTER, CLUTCH.....	1,4
3	212112	CENTER, CLUTCH.....	1,3
4		(5)	
4	2121A1	DISC, CLUTCH FRICTION.....	1,4
		.CATATAN: Waktu sama untuk dua unit atau lebih	
6	2121A3	PLATE, CLUTCH PRESSURE.....	1,4
7	2121A4	PLATE, CLUTCH LIFTER.....	1,2
8	212107	SPRING, CLUTCH.....	1,2
		.CATATAN: Waktu sama untuk dua unit atau lebih	
9	2121B6	ROD, CLUTCH LIFTER.....	1,1
10	211105	GEAR, PRIMARY DRIVE.....	1,6
16	2121B4	BEARING, CLUTCH LIFTER.....	1,1

No. Ref.	No. Part	Deskripsi	Jumlah SONIC 150R (FS150R) 2015(G)	No. Seri	Kode Parts Catalog
1	22100-K56-N01	OUTER COMP., CLUTCH(75T)	1		
2	22105-K56-N00	GUIDE, CLUTCH OUTER	1		
3	22121-K56-N01	CENTER, CLUTCH	1		
4	22201-K56-N01	DISK, CLUTCH FRICTION	5		
5	22321-KWW-742	PLATE, CLUTCH	4		
6	22350-K56-N01	PLATE, CLUTCH PRESSURE	1		
7	22361-K56-N01	PLATE, CLUTCH LIFTER	1		
8	22401-K56-N01	SPRING, CLUTCH	4		
9	22849-K15-900	ROD, CLUTCH LIFTER	1		
10	23121-K56-N00	GEAR A, PRIMARY DRIVE(23T)	1		
		(WHITE)			
	23122-K56-N00	GEAR B, PRIMARY DRIVE(23T)	1		
		(BLUE)			
	23123-K56-N00	GEAR C, PRIMARY DRIVE(23T)	1		
		(YELLOW)			
11	90008-KT7-001	BOLT, FLANGE, 6X25	4		
12	90202-KRM-840	NUT, SPECIAL FLANGE, 14MM	2		
13	90401-KY4-902	WASHER, PLAIN, 17MM	2		
14	90434-K56-N00	WASHER, 20MM	1		
15	90462-KWW-740	WASHER, 14.1MM	2		
16	91007-KE1-003	BEARING, RADIAL BALL, 6903	1		
17	22000-K56-N01	CLUCTH ASSY.	1		



E-9

STARTING CLUTCH



No. Ref.	L.O.N.	(Nomor ref. relatif) Deskripsi	F.R.T.
1	612120	GEAR, STARTER DRIVEN.....	0,8
2	612131	OUTER, STARTING CLUTCH.....	0,9
3	612125	GEAR, STARTER REDUCTION.....	0,8

2

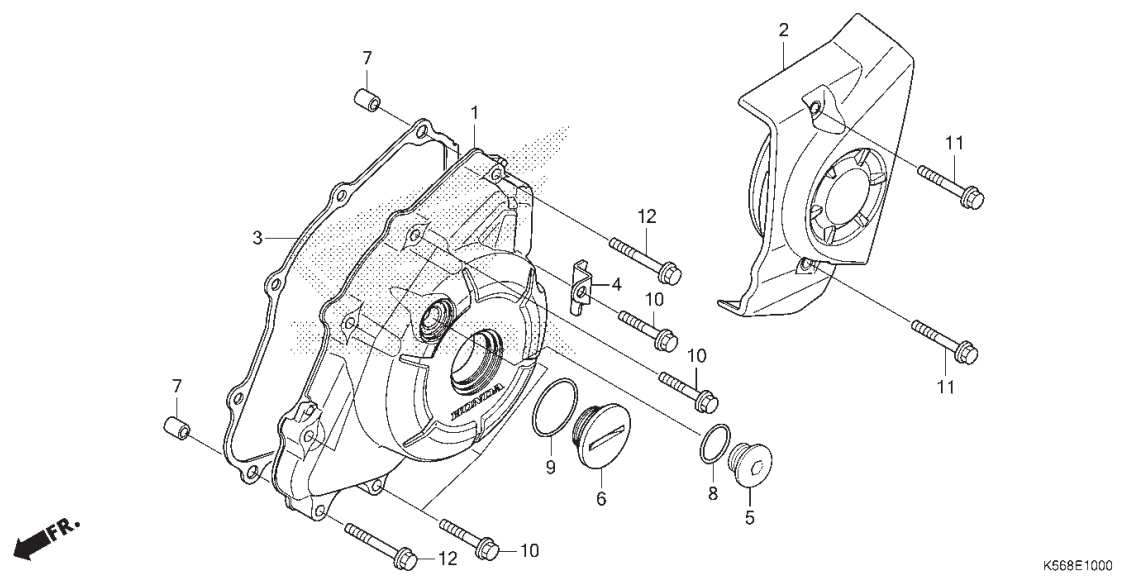
FR.

K568E0900

No. Ref.	No. Part	Deskripsi	Jumlah SONIC 150R (FS150R) 2015(G)	No. Seri	Kode Parts Catalog
1	28110-KGH-911	GEAR COMP., STARTER DRIVEN	1		
2	28125-HC3-017	OUTER COMP., STARTING CLUTCH ..	1		
3	28131-K15-901	GEAR, STARTER REDUCTION	1		
4	28132-KGH-911	SHAFT, REDUCTION GEAR	1		
5	28133-KPP-901	COLLAR, STARTER REDUCTION	1		
6	90010-KM1-001	BOLT, SOCKET, 8X18	3		

E-10

LEFT CRANKCASE COVER



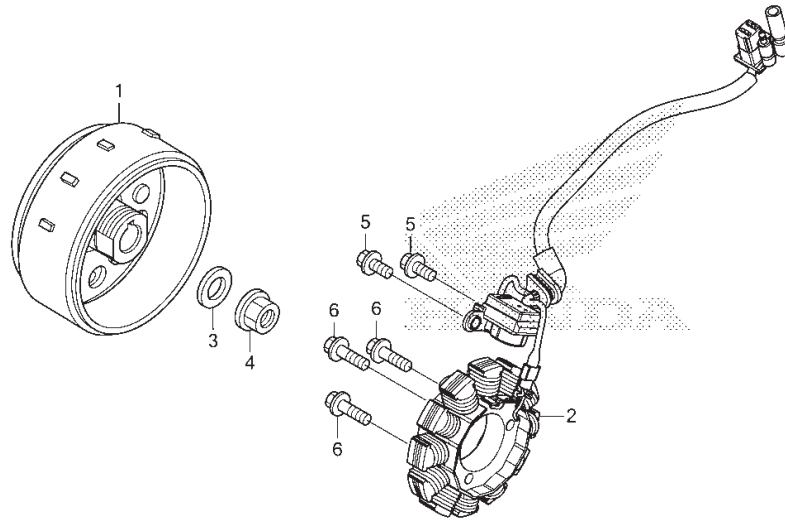
No. Ref.	L.O.N.	(Nomor ref. relatif) Deskripsi	F.R.T.
1	1101A6	COVER, CRANKCASE :LEFT.....	0,8
2	1101B0	COVER, CRANKCASE :LEFT REAR....	0,1
3	1101A3	GASKET, CRANKCASE COVER :LEFT..	0,7

No. Ref.	No. Part	Deskripsi	Jumlah SONIC 150R (FS150R) 2015(G)	No. Seri	Kode Parts Catalog
1	11341-K56-N20	COVER, L. CRANKCASE	1	REPSOL
	11341-K56-N00	1	STANDARD
2	11360-K56-N00	COVER COMP., L. RR.	1		
3	11395-K56-N00	GASKET, L. CRANKCASE COVER ...	1		
4	32123-K56-N00	GUARD, CHANGE SWITCH CORD	1		
5	90084-K03-N30	CAP, 14MM	1		
6	90087-KGH-900	CAP, 30MM	1		
7	90702-KFM-901	DOWEL PIN, 8X12	2		
8	91323-K56-N00	O-RING, 13.8X2.4	1		
9	91356-KWV-000	O-RING, 30MM	1		
10	96001-06030-00	BOLT, FLANGE, 6X30	7		
11	96001-06035-00	BOLT, FLANGE, 6X35	2		
12	96001-06040-00	BOLT, FLANGE, 6X40	2		



E-11

GENERATOR



No. Ref.	L.O.N.	(Nomor ref. relatif) Deskripsi	F.R.T.
1	613105	ROTOR ATAU FLYWHEEL.....	0,9
2	6131A3	STATOR.....	0,9

FR. ←

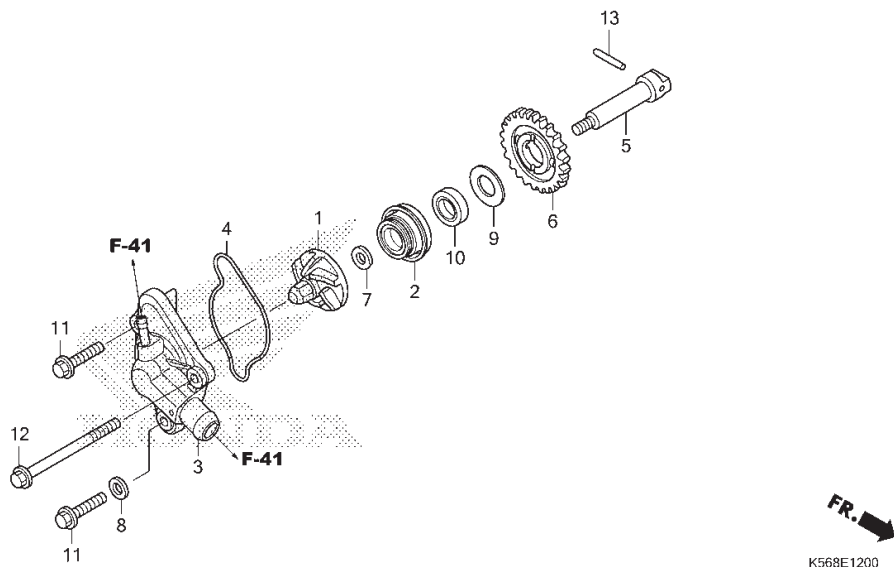
K568E1100

No. Ref.	No. Part	Deskripsi	Jumlah SONIC 150R (FS150R) 2015(G)	No. Seri	Kode Parts Catalog
1	31110-K56-N01	FLYWHEEL COMP.	1		
2	31120-K56-N01	STATOR COMP.	1		
3	90439-KWZ-900	WASHER, 12X24X2.3	1		
4	94050-12001	NUT, FLANGE, 12MM	1		
5	96001-06016-00	BOLT, FLANGE, 6X16	2		
6	96001-06025-00	BOLT, FLANGE, 6X25	3		

2

E-12

WATER PUMP



No. Ref.	L.O.N.	(Nomor ref. relatif) Deskripsi	F.R.T.
1	114105	IMPELLER, WATER PUMP.....	1,1
2		(10)	
3	114110	MECHANICAL SEAL, WATER PUMP....	1,4
		(4)	
5	1141B0	COVER, WATER PUMP.....	0,6
5	1141E7	SHAFT, WATER PUMP.....	1,2
6	114142	SPROCKET ATAU GEAR, WATER PUMP DRIVEN.....	1,2

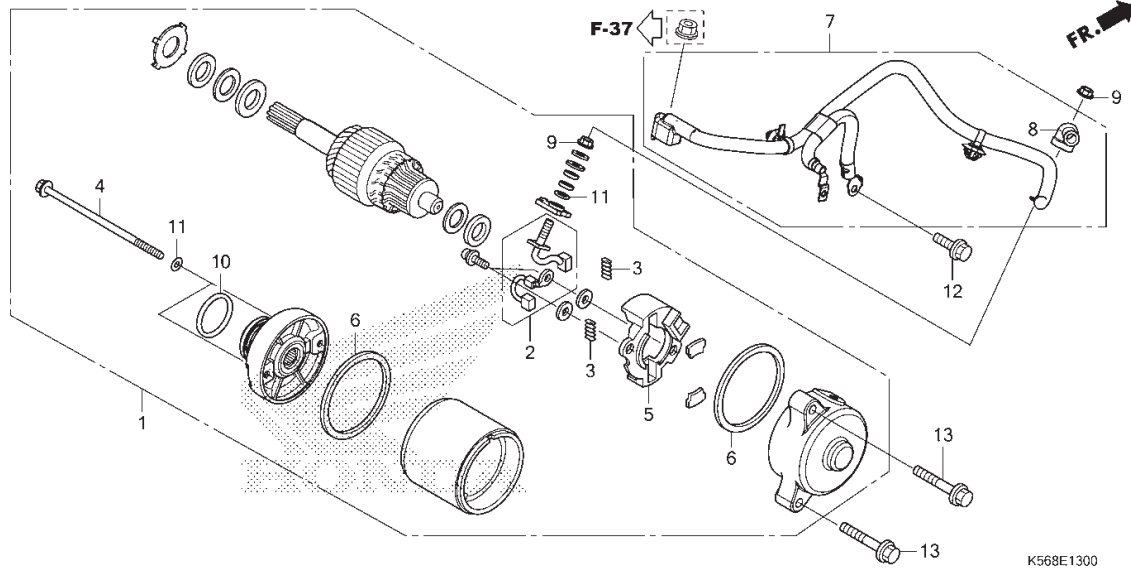
K568E1200

No. Ref.	No. Part	Deskripsi	Jumlah SONIC 150R (FS150R) 2015(G)	No. Seri	Kode Parts Catalog
1	19215-KGH-901	IMPELLER, WATER PUMP	1		
2	19217-P72-014	SEAL, MECHANICAL	1		
3	19220-K56-N20	COVER COMP., WATER PUMP	1	REPSOL
	19220-K56-N00	1	STANDARD
4	19226-K56-N00	GASKET, WATER PUMP	1		
5	19241-K56-N00	SHAFT, WATER PUMP	1		
6	19242-K56-N00	GEAR, WATER PUMP DRIVEN(25T) ..	1		
7	90423-KW6-900	WASHER, 7X13X1.2	1		
8	90463-ML7-000	WASHER, SEALING, 6.5MM	1		
9	90608-072-001	WASHER, 12MM	1		
10	91205-KF0-005	OIL SEAL, 12X20X5	1		
11	96001-06022-00	BOLT, FLANGE, 6X22	2		
12	96001-06065-00	BOLT, FLANGE, 6X65	1		
13	96220-40238	ROLLER, 4X23.8	1		



E-13

STARTER MOTOR



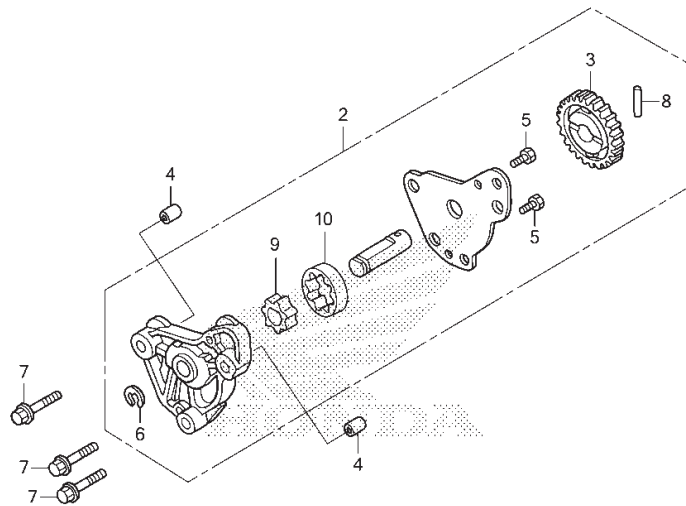
No. Ref.	L.O.N.	(Nomor ref. relatif) Deskripsi	F.R.T.
1		(10)	
2	612105	MOTOR, STARTING.....	0,7
		(3,5,6)	
3	6121A4	TERMINAL, BRUSH(STARTER).....	0,9
7	612115	CABLE, STARTER MOTOR.....	0,7

2

No. Ref.	No. Part	Deskripsi	Jumlah SONIC 150R (FS150R) 2015(G)	No. Seri	Kode Parts Catalog
1	31200-K56-N01	MOTOR ASSY., STARTER	1		
2	31201-KPT-A01	TERMINAL SET, BRUSH	1		
3	31204-KG8-004	SPRING, CARBON BRUSH	2		
4	31205-KTC-921	BOLT, SETTING	2		
5	31206-KPP-T01	HOLDER, BRUSH	1		
6	31207-MBE-009	RING	2		
7	32410-K56-N00	CABLE, STARTER MOTOR & EARTH ..	1		
8	32411-253-001	COVER, STARTER MOTOR TERMINAL ..	1		
9	90071-MB0-001	NUT-WASHER, 6MM	2		
10	91309-425-004	O-RING, 24.4X3.1	1		
11	91320-MB0-000	O-RING, 4X2	3		
12	95701-06014-0	BOLT, FLANGE, 6X14	1		
13	95701-06028-01	BOLT, FLANGE, 6X28	2		

E-14

OIL PUMP



FR. →
K568E1400

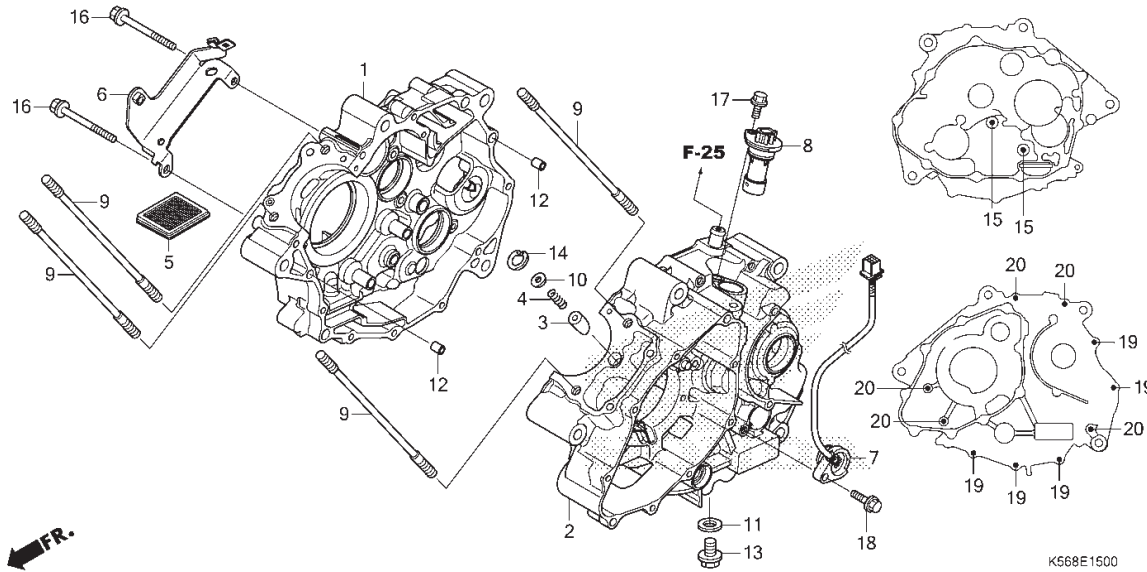
No. Ref.	L.O.N.	(Nomor ref. relatif) Deskripsi	F.R.T.
2	113105	PUMP ASSY., OIL.....	1,1
3	1131C4	GEAR, OIL PUMP DRIVEN.....	1,2

No. Ref.	No. Part	Deskripsi	Jumlah SONIC 150R (FS150R) 2015(G)	No. Seri	Kode Parts Catalog
2	15100-KPP-T01	OIL PUMP ASSY.	1		
3	15133-KPP-T00	GEAR, OIL PUMP DRIVEN(25T)	1		
4	90702-KFM-901	DOWEL PIN, 8X12	2		
5	93301-05012-0J	BOLT, HEX., 5X12	2		
6	94540-06018	E-RING, 6MM	1		
7	95701-06035-00	BOLT, FLANGE, 6X35	3		
8	96220-40238	ROLLER, 4X23.8	1		
9	15331-436-000	ROTOR OIL, PUMP INNER,	1		
10	15332-436-000	ROTOR OIL, PUMP OUTER	1		



E-15

CRANKCASE



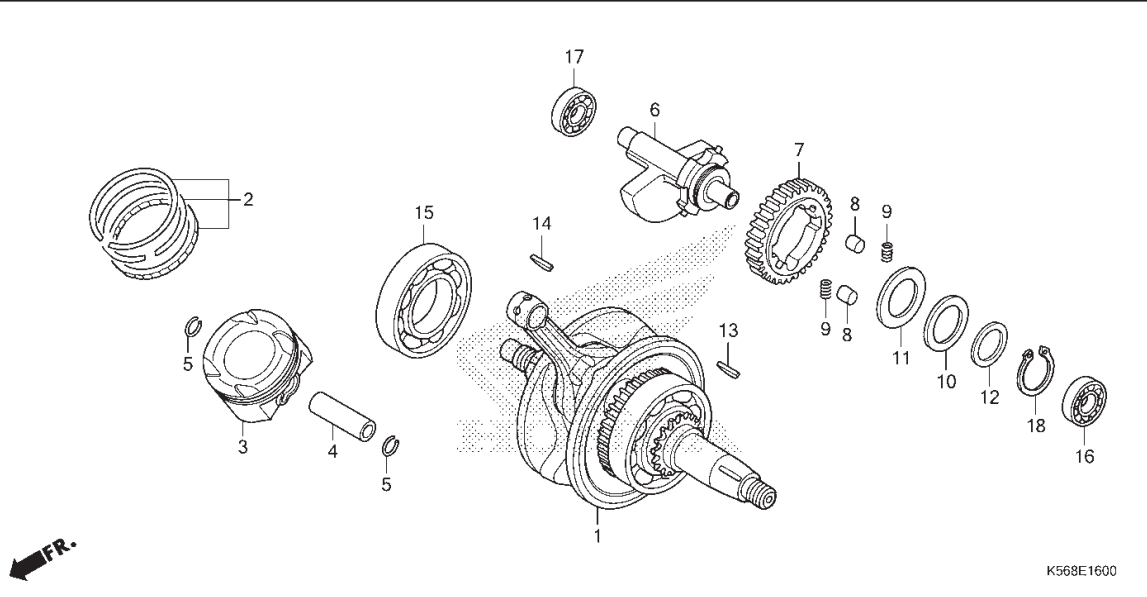
No. Ref.	L.O.N.	(Nomor ref. relatif) Deskripsi	F.R.T.
1	110120	CRANKCASE :RIGHT..... .TERMASUK: Penurunan dan pemasangan mesin	6,7
2	110115	CRANKCASE :LEFT..... .TERMASUK: Penurunan dan pemasangan mesin	6,1
	1101A2	CRANKCASE :KEDUA-DUANYA..... .TERMASUK: Penurunan dan pemasangan mesin	7,5
5	1131B5	SCREEN, OIL FILTER.....	1,1
7	615125	SWITCH, GEAR CHANGE.....	0,7
8	617198	SENSOR, SPEEDOMETER.....	0,7

No. Ref.	No. Part	Deskripsi	Jumlah SONIC 150R (FS150R) 2015(G)	No. Seri	Kode Parts Catalog
1	11100-K56-305	CRANKCASE COMP., R.....	1		
2	11200-K56-305	CRANKCASE SET, L.....	1		
3	14521-KPP-900	PLUG, BEARING PUSH.....	1		
4	14531-KPP-900	SPRING, BEARING PUSH.....	1		
5	15421-KSP-910	SCREEN, OIL FILTER.....	1		
6	32121-K56-N00	STAY COMP., CABLE.....	1		
7	35759-K56-N01	CONTACT ASSY., CHANGE SWITCH ..	1		
8	37700-K56-N01	SENSOR ASSY., SPEED.....	1		
9	90031-K56-N00	BOLT, CYLINDER STUD.....	4		
10	90403-KPP-900	WASHER, 3X11X1.0.....	1		
11	90407-259-000	PACKING, DRAIN COCK, 12.5X20 ..	1		
12	90701-HC4-000	DOWEL PIN, 8X12.....	2		
13	92800-12000	BOLT, DRAIN PLUG, 12MM.....	1		
14	94520-12000	CIRCLIP, INTERNAL, 12MM.....	1		
15	95701-06035-00	BOLT, FLANGE, 6X35.....	2		
16	95701-06065-00	BOLT, FLANGE, 6X65.....	2		
17	96001-06016-00	BOLT, FLANGE, 6X16.....	1		
18	96001-06018-00	BOLT, FLANGE, 6X18.....	1		
19	96001-06040-00	BOLT, FLANGE, 6X40.....	5		
20	96001-06065-00	BOLT, FLANGE, 6X65.....	5		

2

E-16

CRANKSHAFT/PISTON



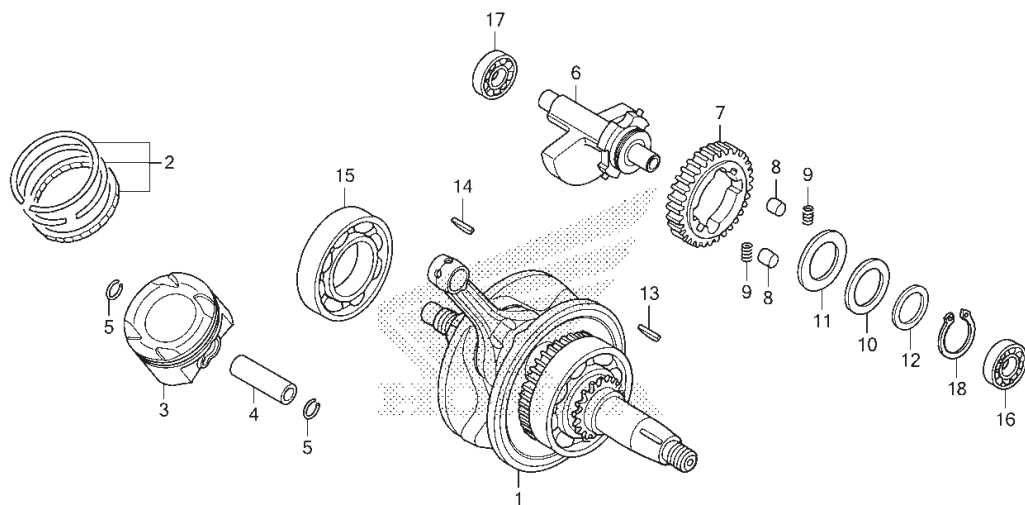
No. Ref.	L.O.N.	(Nomor ref. relatif) Deskripsi	F.R.T.
1	1101B5	CRANKSHAFT.....	5,6
		.TERMASUK: Penurunan dan pemasangan mesin (2,4,5)	
3	111103	PISTON RING DAN/ATAU PISTON(SATU)	2,4
6	110185	SHAFT, BALANCER.....	5,6
		.TERMASUK: Penurunan dan pemasangan mesin (8,9)	
7	1101L5	GEAR, BALANCER DRIVEN.....	5,6
		.TERMASUK: Penurunan dan pemasangan mesin	
15	1101B7	BEARING, CRANKSHAFT :RIGHT.....	5,8
		.TERMASUK: Penurunan dan pemasangan mesin	
16	1101G3	BEARING, BALANCER SHAFT :LEFT..	5,6
		.TERMASUK: Penurunan dan pemasangan mesin	
17	1101G4	BEARING, BALANCER SHAFT :RIGHT	5,8
		.TERMASUK: Penurunan dan pemasangan mesin	

No. Ref.	No. Part	Deskripsi	Jumlah SONIC 150R (FS150R) 2015(G)	No. Seri	Kode Parts Catalog
1	13000-K56-N00	CRANKSHAFT COMP.	1		
2	13011-K56-N00	RING SET, PISTON(STD.)	1		
	13021-K56-N00	RING SET, PISTON(O.S. 0.25) ...	(1)		
	13031-K56-N00	RING SET, PISTON(O.S. 0.50) ...	(1)		
3	13101-K56-N00	PISTON(STD.)	1		
	13102-K56-N00	PISTON(O.S. 0.25)	(1)		
	13103-K56-N00	PISTON(O.S. 0.50)	(1)		
4	13111-K56-N00	PIN, PISTON	1		
5	13115-KZY-701	CLIP, PISTON PIN, 14MM	2		
6	13420-K56-N00	WEIGHT COMP., BALANCER	1		
7	13422-KPP-86Z	GEAR A, BALANCER DRIVEN(43T) (WHITE)	1		
	13423-KPP-860	GEAR B, BALANCER DRIVEN(43T) (BLUE)	1		
	13424-KPP-860	GEAR C, BALANCER DRIVEN(43T) (YELLOW)	1		
8	13425-KGH-900	RUBBER, BALANCER DUMPER(IKP) ..	2		
	13425-KWC-900	RUBBER, BALANCER DUMPER (TT) ..	2		
9	13427-KPP-860	SPRING, BALANCER GEAR	2		
10	13538-KGH-901	SPRING, THRUST	1		
11	90401-KPP-900	WASHER, 28.2X45X1.0	1		
12	90402-KRM-840	WASHER, 28.1X36X1.8	1		
13	90741-KFB-001	KEY, WOODRUFF, 4MM	1		
14	90741-KGH-900	KEY, WOODRUFF, 4MM	1		
15	91001-KPP-901	BEARING, R. RADIAL BALL SPECIAL, 6207	1		



E-16

CRANKSHAFT/PISTON



FR.

K568E1600

No. Ref.	L.O.N.	(Nomor ref. relatif) Deskripsi	F.R.T.
----------	--------	-----------------------------------	--------

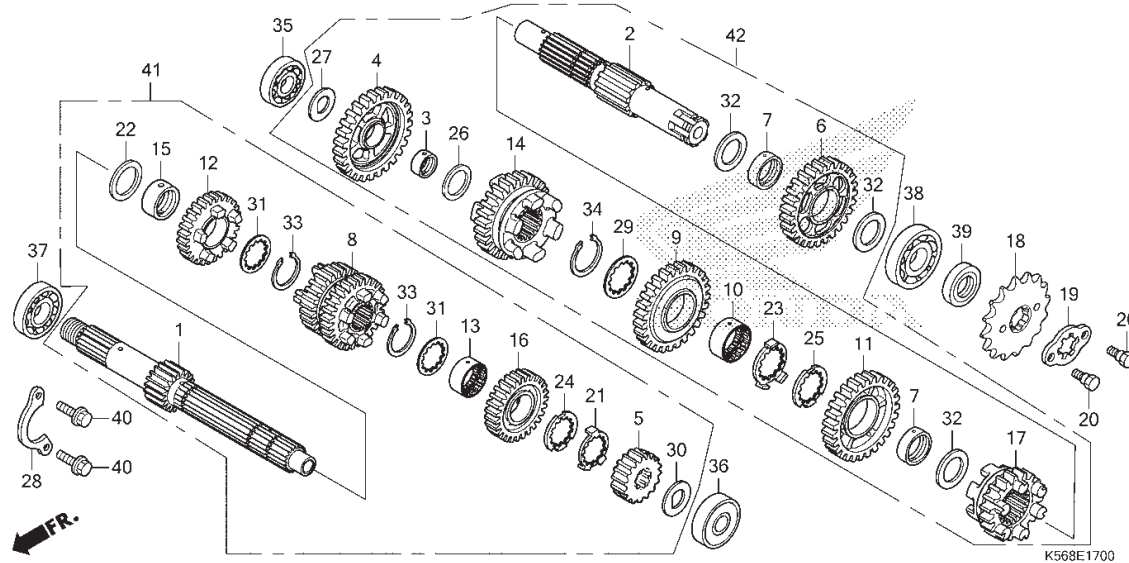
(17)	1101G5	BEARING, BALANCER SHAFT :KEDUA-DUANYA 6,0 .TERMASUK: Penurunan dan pemasangan mesin	
------	--------	--	--

No. Ref.	No. Part	Deskripsi	Jumlah SONIC 150R (FS150R) 2015(G)	No. Seri	Kode Parts Catalog
16	91003-KPP-931	BEARING, RADIAL BALL, 6201	1		
17	91008-K56-N01	BEARING, RADIAL BALL, 6301	1		
18	94510-28000	CIRCLIP, EXTERNAL, 28MM	1		



E-17

TRANSMISSION



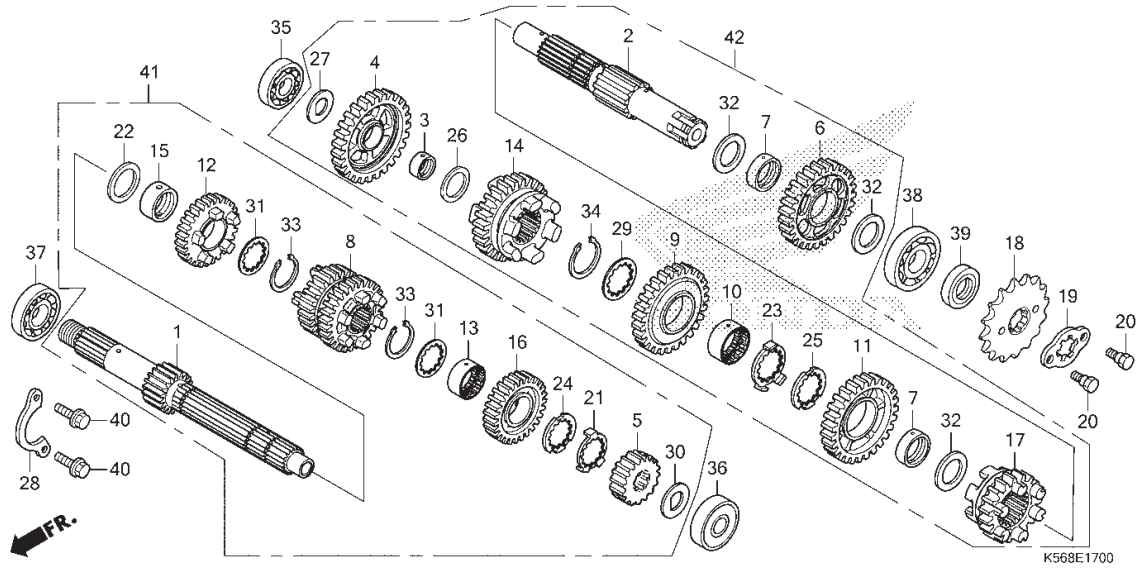
No. Ref.	L.O.N.	(Nomor ref. relatif) Deskripsi	F.R.T.
1		(5,8,12,16)	
210141		MAINSHAFT, TRANSMISSION.....	5,7
		.TERMASUK: Penurunan dan pemasangan mesin	
210141A		.Ganti countershaft tambahkan..	0,1
2		(4,6,9,11,14,17)	
210142		COUNTERSHAFT, TRANSMISSION.....	5,7
		.TERMASUK: Penurunan dan pemasangan mesin	
210142A		.Ganti mainshaft tambahkan.....	0,1
18	213135	SPROCKET, DRIVE.....	0,2
35	2101C8	BEARING, COUNTERSHAFT :RIGHT...	5,8
		.TERMASUK: Penurunan dan pemasangan mesin	
36	2101C2	BEARING, MAINSHAFT :LEFT.....	5,6
		.TERMASUK: Penurunan dan pemasangan mesin	
37	2101C5	BEARING, MAINSHAFT :RIGHT.....	5,8
		.TERMASUK: Penurunan dan pemasangan mesin	
	2101C6	BEARING, MAINSHAFT :KEDUA-DUANYA	6,0
		.TERMASUK: Penurunan dan pemasangan mesin	

No. Ref.	No. Part	Deskripsi	Jumlah SONIC 150R (FS150R) 2015(G)	No. Seri	Kode Parts Catalog
1	23211-K56-N00	MAINSHAFT(12T)	1		
2	23221-K56-N00	COUNTERSHAFT	1		
3	23415-HB3-000	BUSH, 15MM	1		
4	23421-K56-N00	GEAR, COUNTERSHAFT FIRST(37T) .	1		
5	23431-K56-N00	GEAR, MAINSHAFT SECOND(17T) ...	1		
6	23441-K56-N00	GEAR, COUNTERSHAFT SECOND(33T)	1		
7	23442-K56-N00	BUSH, 20MM	2		
8	23451-K56-N00	GEAR, MAINSHAFT THIRD & FOURTH	1		
9	23461-K56-N00	GEAR, COUNTERSHAFT THIRD(30T)	1		
10	23465-K56-N00	BUSH, SPLINE, 20MM	1		
11	23481-K56-N00	GEAR, COUNTERSHAFT FOURTH(27T)	1		
12	23491-K56-N00	GEAR, MAINSHAFT FIFTH(24T)	1		
13	23492-KSP-910	COLLAR, SPLINE, 17X20X11	1		
14	23501-K56-N00	GEAR, COUNTERSHAFT FIFTH(25T) .	1		
15	23502-KTY-D30	BUSH, 20MM	1		
16	23511-K56-N00	GEAR, MAINSHAFT SIXTH(26T)	1		
17	23521-K56-N01	GEAR, COUNTERSHAFT SIXTH(24T) .	1		
18	23801-KBP-901	SPROCKET, DRIVE(15T)	1		
19	23811-KR3-600	PLATE A2, FIXING	1		
20	90084-041-000	BOLT, DRIVE SPROCKET FIXING ...	2		
21	90401-K56-N00	WASHER, LOCK, 17MM	1		
22	90401-KTY-D30	WASHER, THRUST, 17MM	1		
23	90401-KVK-900	WASHER, LOCK, 20X19X1.0	1		
24	90402-K56-N00	WASHER, SPLINE, 17MM	1		



E-17

TRANSMISSION



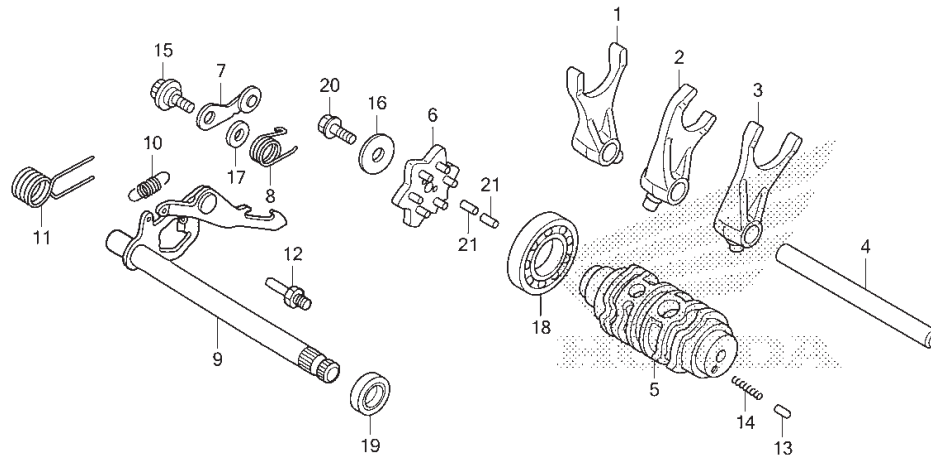
No. Ref.	L.O.N.	(Nomor ref. relatif) Deskripsi	F.R.T.
38	2101C7	BEARING, COUNTERSHAFT :LEFT....	5,6
		.TERMASUK: Penurunan dan pemasangan mesin	
	2101C9	BEARING, COUNTERSHAFT :KEDUA-DUANYA	6,0
		.TERMASUK: Penurunan dan pemasangan mesin	
	2101D4	BEARING, MAINSHAFT DAN COUNTERSHAFT :SEMUA.....	6,2
		.TERMASUK: Penurunan dan pemasangan mesin	
39	2101G7	OIL SEAL, COUNTERSHAFT :LEFT...	5,6
		.TERMASUK: Penurunan dan pemasangan mesin	

No. Ref.	No. Part	Deskripsi	Jumlah SONIC 150R (FS150R) 2015(G)	No. Seri	Kode Parts Catalog
25	90402-KVK-900	WASHER, THRUST, 20X19X1.0	1		
26	90412-187-001	WASHER, THRUST, 15MM	1		
27	90412-K56-N00	WASHER, SPECIAL, 15MM	1		
28	90441-KW7-931	PLATE, BEARING HOLDER	1		
29	90451-K56-N00	WASHER, SPLINE, 20MM	1		
30	90452-KGH-901	WASHER, SPECIAL, 12MM	1		
31	90452-KRM-840	WASHER, SPLINE, 17X23X1.6	2		
32	90454-KPH-900	WASHER, 25X20.2X1	3		
33	90601-KRM-840	CIRCLIP, 17MM	2		
34	90605-KVS-900	SET RING, 20MM	1		
35	91004-K56-N01	BEARING, RADIAL BALL, 6202U ...	1		
36	91005-K56-N01	BEARING, RADIAL BALL, 6201U ...	1		
37	91006-K56-N01	BEARING, RADIAL BALL, 6203 (SK)	1		
	91006-K56-N02	BEARING, RADIAL BALL, 6203 (FK)	1		
38	91010-K56-N01	BEARING, RADIAL BALL, 6204	1		
39	91216-KGH-902	OIL SEAL, 20X34X7	1		
40	95701-06014-0	BOLT, FLANGE, 6X14	2		
41	23010-K56-N01	SHAFT ASSY., MAIN	1		
42	23020-K56-N02	SHAFT ASSY., COUNTER	1		

2

E-19

GEARSHIFT DRUM



K568E1900

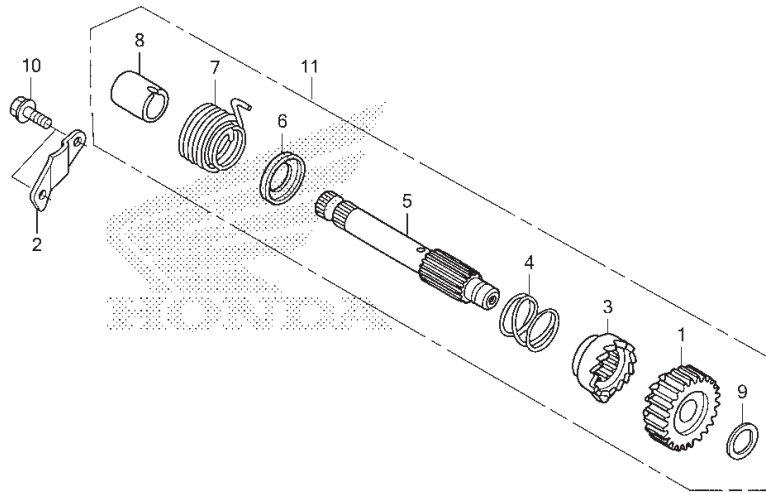
No. Ref.	L.O.N.	(Nomor ref. relatif) Deskripsi	F.R.T.
1		(2,3)	
1	210112	FORK, GEARSHIFT.....	5,6
		.TERMASUK: Penurunan dan pemasangan mesin	
		.CATATAN: Waktu sama untuk dua unit atau lebih	
5	2101A9	DRUM, GEARSHIFT.....	5,6
		.TERMASUK: Penurunan dan pemasangan mesin	
6	2101D6	PLATE, GEARSHIFT DRUM STOPPER..	1,1
7	210125	STOPPER ATAU SPRING, SHIFT DRUM	1,1
9	210122	SPINDLE, GEARSHIFT.....	1,6
18	2101C3	BEARING, GEARSHIFT DRUM.....	5,8
		.TERMASUK: Penurunan dan pemasangan mesin	
19	1101F9	OIL SEAL, GEARSHIFT SPINDLE....	1,6



No. Ref.	No. Part	Deskripsi	Jumlah SONIC 150R (FS150R) 2015(G)	No. Seri	Kode Parts Catalog
1	24211-K56-N00	FORK, R. GEARSHIFT	1		
2	24212-KPP-901	FORK, CENTER GEARSHIFT	1		
3	24213-K56-N00	FORK, L. GEARSHIFT	1		
4	24241-KPP-901	SHAFT, GEARSHIFT FORK	1		
5	24301-K56-N00	DRUM, GEARSHIFT	1		
6	24410-K15-900	PLATE COMP., SHIFT DRUM	1		
7	24430-K56-N00	STOPPER COMP., GEARSHIFT DRUM .	1		
8	24436-KTY-D30	SPRING, GEARSHIFT DRUM STOPPER	1		
9	24610-KPP-900	SPINDLE COMP., GEARSHIFT	1		
10	24641-KBP-901	SPRING, GEARSHIFT ARM	1		
11	24651-KTY-D30	SPRING, GEARSHIFT RETURN	1		
12	24652-035-000	PIN, SHIFT RETURN SPRING	1		
13	35751-KPH-900	CAP, CHANGE SWITCH CONTACT	1		
14	35752-KPH-900	SPRING, CHANGE SWITCH CONTACT .	1		
15	90022-MG8-000	PIVOT, SHIFT DRUM STOPPER ARM .	1		
16	90402-KW7-901	WASHER, THRUST, 6MM	1		
17	90435-HB3-000	WASHER, 6.1MM	1		
18	91009-K31-901	BEARING, RADIAL BALL, 6905 (NK)	1		
	91015-K56-N01	BEARING, RADIAL BALL, 6905 (SK)	1		
19	91209-KWC-901	OIL SEAL, 12X22X7	1		
20	95701-06016-00	BOLT, FLANGE, 6X16	1		
21	96220-30086	ROLLER, 3X8.5	2		

E-20

KICK STARTER SPINDLE



FR.

K568E2000

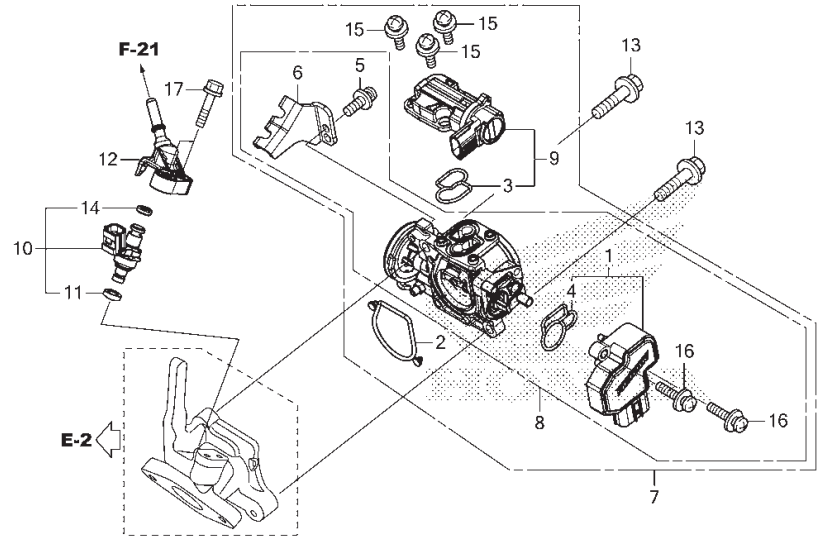
No. Ref.	L.O.N.	(Nomor ref. relatif) Deskripsi	F.R.T.
1		(3,4)	
1	1121A0	PINION, KICK STARTER.....	1,1
5	1121A2	SPINDLE, KICK STARTER.....	1,1
7	112103	SPRING, KICK STARTER RETURN....	1,1

No. Ref.	No. Part	Deskripsi	Jumlah SONIC 150R (FS150R) 2015(G)	No. Seri	Kode Parts Catalog
1	28211-K56-N00	PINION, KICK STARTER(22T)	1		
2	28215-KGH-901	PLATE, KICK STOPPER	1		
3	28221-K56-N00	RATCHET, STARTER DRIVE	1		
4	28223-KM7-702	SPRING, RATCHET	1		
5	28251-K15-900	SPINDLE, KICK STARTER	1		
6	28254-437-001	SEAT, RATCHET SPRING	1		
7	28261-KGH-901	SPRING, KICK RETURN	1		
8	28282-KGH-901	COLLAR, KICK SPRING	1		
9	90451-KGH-901	WASHER, SPECIAL, 14MM	1		
10	95701-06016-00	BOLT, FLANGE, 6X16	2		
11	28200-K56-N00	KICK STARTER ASSY.	1		

2

E-23

THROTTLE BODY



No. Ref.	L.O.N.	(Nomor ref. relatif) Deskripsi	F.R.T.
1		(4)	
7	617115	SENSOR, THROTTLE.....	0,8
		(2)	
8	311132	BODY ASSY., THROTTLE.....	0,8
9	311130	BODY, THROTTLE.....	0,8
		(3)	
10	3111N5	VALVE, IDLE AIR CONTROL.....	0,5
		(11,12,14)	
	311145	INJECTOR, FUEL.....	0,7

FR.

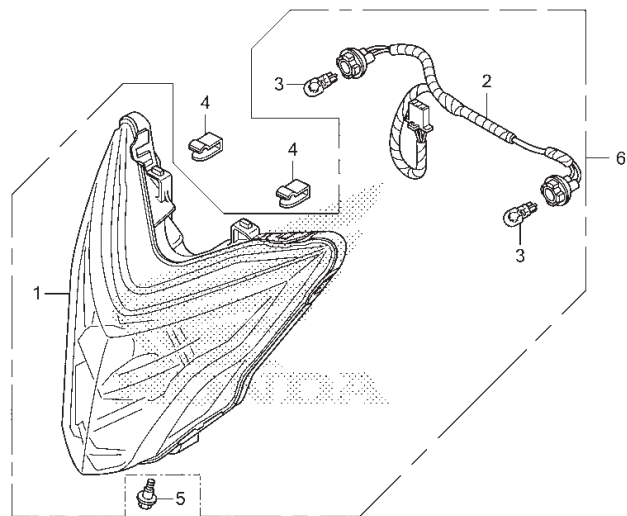
K568E2300

No. Ref.	No. Part	Deskripsi	Jumlah SONIC 150R (FS150R) 2015(G)	No. Seri	Kode Parts Catalog
1	16060-KVS-J01	SENSOR SET	1		
2	16075-K40-F01	O-RING, THROTTLE BODY	1		
3	16076-K35-V01	O-RING	1		
4	16077-K35-V01	O-RING	1		
5	16081-K56-N01	SCREW-WASHER, TORX(5X12)	1		
6	16169-K56-N01	STAY, WIRE	1		
7	16400-K56-N01	THROTTLE BODY ASSY.(GQ1LA A) ..	1		
8	16410-K56-N01	BODY SET	1		
9	16430-K56-N01	VALVE SET, IDLE AIR CONTROL ...	1		
10	16450-K56-N01	INJECTOR ASSY., FUEL	1		
11	16472-KPC-D51	RING, SEAL	1		
12	17560-K56-N00	JOINT COMP., INJECTOR	1		
13	90004-GHB-671	BOLT, FLANGE, 6X25	2		
14	91301-GGL-J02	O-RING, 6.3X2.2	1		
15	93891-04010-18	SCREW-WASHER, 4X10	3		
16	93891-04016-18	SCREW-WASHER, 4X16	2		
17	95701-06022-01	BOLT, FLANGE, 6X22	2		



F-1

HEADLIGHT



K568F0100

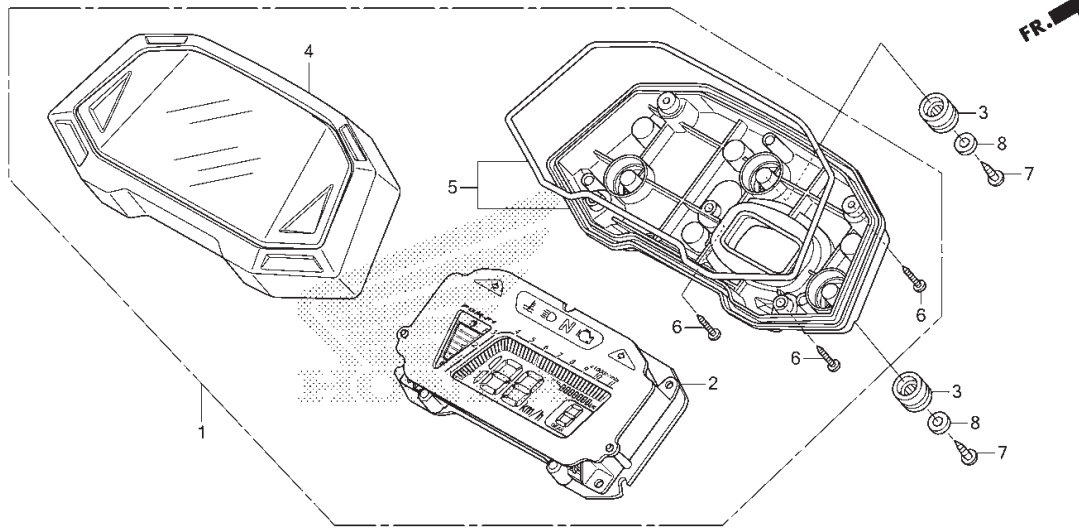
No. Ref.	L.O.N.	(Nomor ref. relatif) Deskripsi	F.R.T.
1	6161A7	HEADLIGHT UNIT.....	0,5
2	6161AA	SOCKET, WINKER :FRONT.....	0,3
3	616133	BULB, WINKER :FRONT.....	0,2
.CATATAN: Waktu sama untuk dua unit			
	6161G0	BULB, WINKER :UNTUK 1 KENDARAAN	0,2

No. Ref.	No. Part	Deskripsi	Jumlah SONIC 150R (FS150R) 2015(G)	No. Seri	Kode Parts Catalog
1	33110-K56-N01	HEADLIGHT UNIT	1		
2	33150-K56-N01	SOCKET COMP., WINKER LIGHT	1		
3	34905-KSS-C02	BULB, WINKER(12V 10W) (AMBER) ...	2		
4	53209-GAH-000	CLIP, HEADLIGHT	2		
5	90101-KZL-930	BOLT, ADJUSTING	1		
6	33100-K56-N01	LIGHT ASSY., HEAD	1		

3

F-2

METER



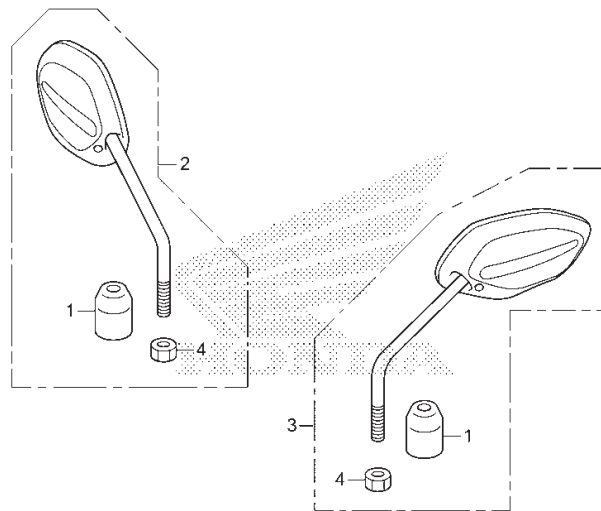
No. Ref.	L.O.N.	(Nomor ref. relatif) Deskripsi	F.R.T.
1	8121A1	METER ASSY., COMBINATION.....	0,3
2	8121A2	METER, COMBINATION.....	0,4
4	8121B4	CASE, METER :UPPER.....	0,3
5	8121B5	CASE, METER :LOWER.....	0,3

No. Ref.	No. Part	Deskripsi	Jumlah SONIC 150R (FS150R) 2015(G)	No. Seri	Kode Parts Catalog
1	37100-K56-N01	METER ASSY., COMBINATION(KPH) ..	1		
2	37130-K56-N00	METER COMP., LCD	1		
3	37215-KZZ-900	RUBBER, METER SETTING	3		
4	37610-K56-N00	CASE ASSY., UPPER	1		
5	37620-K56-N00	CASE ASSY., UNDER	1		
6	93903-22520	SCREW, TAPPING, 3X20	5		
7	93913-25381	SCREW, TAPPING, 5X14(PO)	3		
8	94103-0570	WASHER, PLAIN, 5MM	3		

3

F-3

MIRROR



FR.

K568F0300

No. Ref.	L.O.N.	(Nomor ref. relatif) Deskripsi	F.R.T.
----------	--------	-----------------------------------	--------

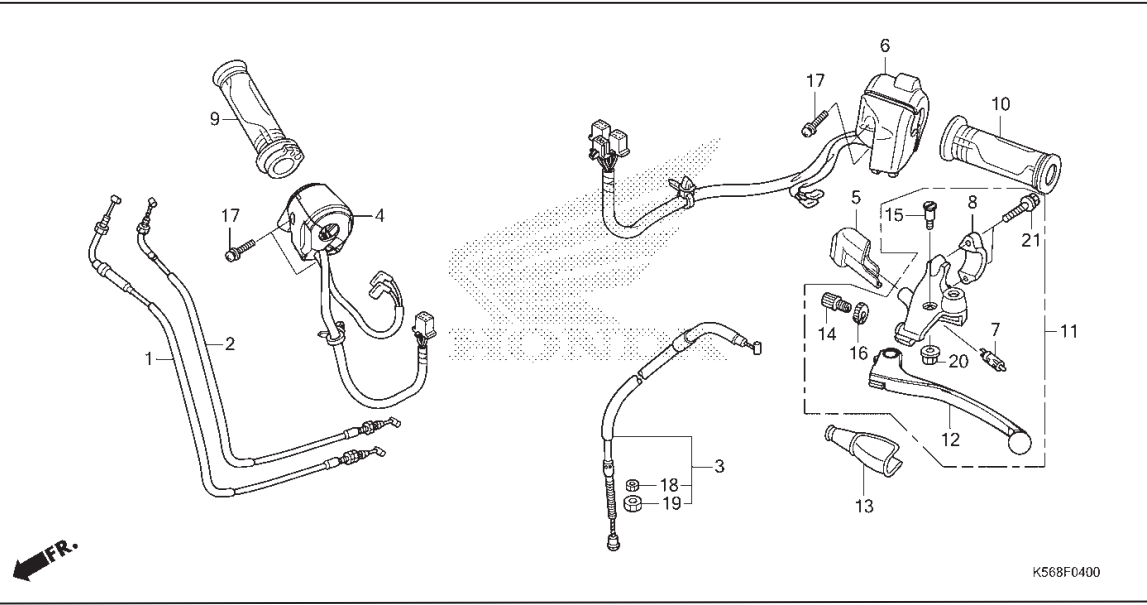
TIDAK ADA INFORMASI

No. Ref.	No. Part	Deskripsi	Jumlah SONIC 150R (FS150R) 2015(G)	No. Seri	Kode Parts Catalog
1	88113-KCJ-660	CAP, LOCK NUT	2		
2	88110-K56-N00	MIRROR ASSY., R. BACK	1		
3	88120-K56-N00	MIRROR ASSY., L. BACK	1		
4	94002-10000-0S	NUT, HEX., 10MM	2		

3

F-4

HANDLE LEVER/SWITCH/CABLE



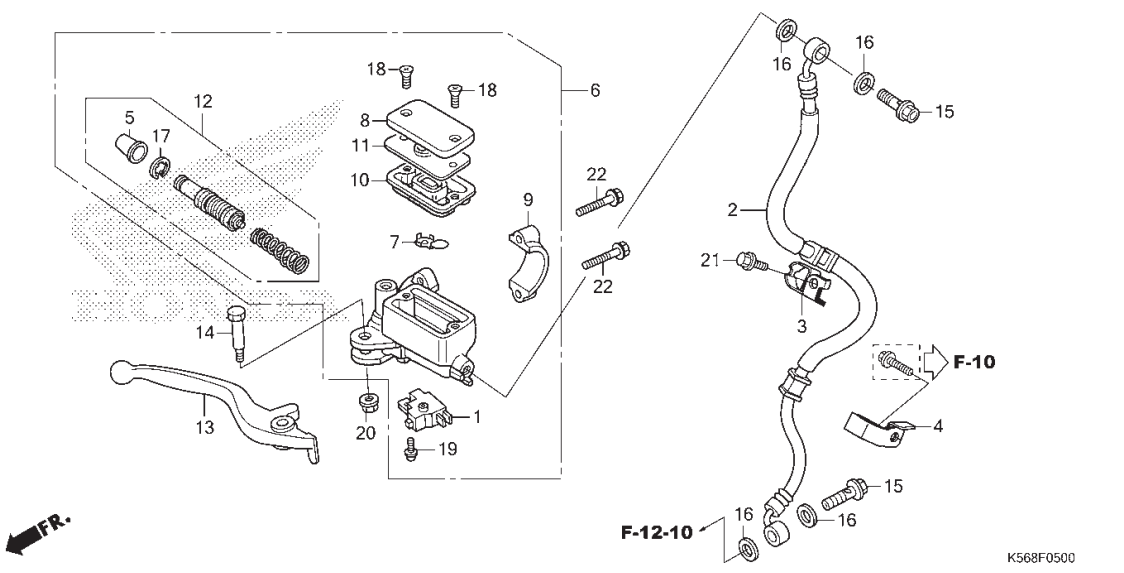
No. Ref.	L.O.N.	(Nomor ref. relatif) Deskripsi	F.R.T.
1		(2)	
	811100	CABLE, THROTTLE.....	0,8
		.CATATAN: Waktu sama untuk dua unit	
3	811115	CABLE, CLUTCH.....	0,6
4	615116	SWITCH, STARTER.....	0,5
6	615118	SWITCH, WINKER.....	0,5
7	6151A9	SWITCH, CLUTCH.....	0,4
9	810150	GRIP, THROTTLE.....	0,3
10	8101C0	GRIP, HANDLE :LEFT.....	0,1
11	8101C8	BRACKET, HANDLE LEVER :LEFT....	0,3
		CATATAN: Tidak termasuk No. Ref. 7,8,12,14,15,16,20,21	
12	8101C6	LEVER, HANDLE :LEFT.....	0,2
	8101F5	LEVER, HANDLE :KEDUA-DUANYA....	0,3

No. Ref.	No. Part	Deskripsi	Jumlah SONIC 150R (FS150R) 2015(G)	No. Seri	Kode Parts Catalog
1	17910-K56-N00	CABLE COMP. A, THROTTLE	1		
2	17920-K56-N00	CABLE COMP. B, THROTTLE	1		
3	22870-K56-N00	CABLE COMP., CLUTCH	1		
4	35150-K56-N01	SWITCH ASSY., STARTER	1		
5	35152-KRY-971	COVER, CLUTCH SWITCH	1		
6	35200-K56-N01	SWITCH ASSY., WINKER	1		
7	35330-413-003	SWITCH COMP., FR. LEVER	1		
8	45517-166-007	HOLDER, MASTER CYLINDER	1		
9	53140-K15-900	GRIP COMP., THROTTLE	1		
10	53166-KYJ-901	GRIP, L. HANDLE	1		
11	53170-KYE-900	LEVER ASSY., HANDLE	1		
12	53178-KYE-900	LEVER COMP., L. HANDLE	1		
13	53180-425-010	BOOT, HANDLE LEVER	1		
14	53192-349-690	BOLT, CLUTCH WIRE ADJUSTING	1		
15	90113-438-000	BOLT, L. STEERING HANDLE LEVER PIVOT	1		
16	90321-MR8-001	NUT, FIXING	1		
17	93892-05020-07	SCREW-WASHER, 5X20	4		
18	94002-08000-0S	NUT, HEX., 8MM	1		
19	94030-08000	NUT, HEX., 8MM	1		
20	94050-06000	NUT, FLANGE, 6MM	1		
21	96001-06022-07	BOLT, FLANGE, 6X22	2		



F-5

FRONT BRAKE MASTER CYLINDER



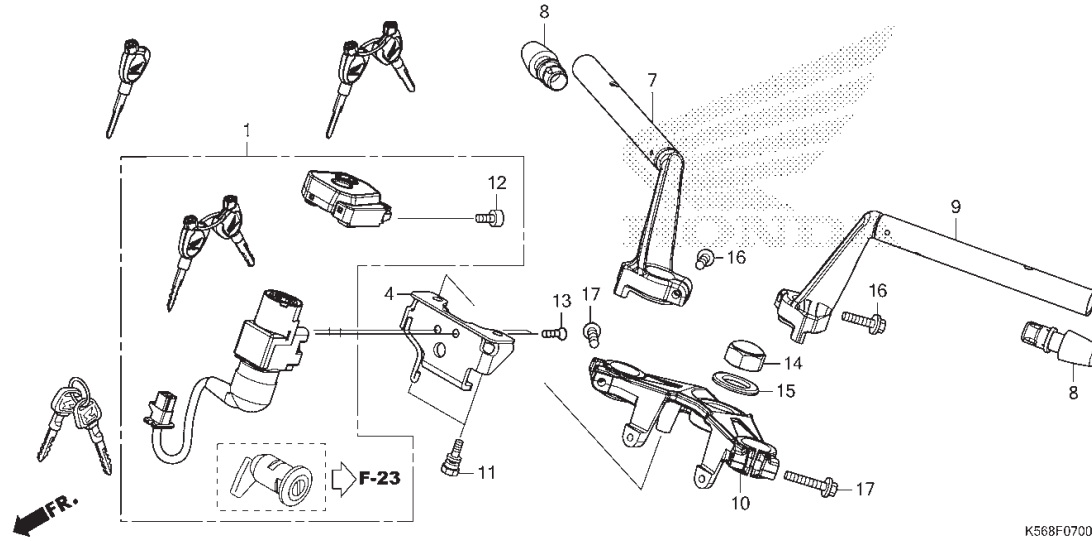
No. Ref.	L.O.N.	(Nomor ref. relatif) Deskripsi	F.R.T.
1	6151B2	SWITCH, FRONT STOP.....	0,2
2	7121A0	HOSE, FRONT BRAKE.....	0,4
6	712105	CYLINDER, FRONT BRAKE MASTER... .TERMASUK: Pembuangan angin palsu	0,5
10	7121G6	DIAPHRAGM, FRONT BRAKE MASTER CYLINDER.....	0,1
12	7121G9	PISTON SET, FRONT BRAKE MASTER .TERMASUK: Pembuangan angin palsu	0,4
13	8101C7	LEVER, HANDLE :RIGHT.....	0,1
	8101F5	LEVER, HANDLE :KEDUA-DUANYA....	0,3



No. Ref.	No. Part	Deskripsi	Jumlah SONIC 150R (FS150R) 2015(G)	No. Seri	Kode Parts Catalog
1	35340-KWB-601	SWITCH ASSY., FR. STOP	1		
2	45126-K56-N01	HOSE COMP., FR. BRAKE	1		
3	45155-K56-N00	CLAMPER A, FR. BRAKE HOSE	1		
4	45156-K56-N00	CLAMPER B, FR. BRAKE HOSE	1		
5	45504-410-004	BOOT COMP.	1		
6	45510-KZY-702	CYLINDER SUB ASSY., FR. BRAKE MASTER	1		
7	45512-MA6-007	PROTECTOR	1		
8	45513-HA2-007	CAP, MASTER CYLINDER	1		
9	45517-166-007	HOLDER, MASTER CYLINDER	1		
10	45520-GE2-007	DIAPHRAGM	1		
11	45521-K21-902	PLATE, DIAPHRAGM	1		
12	45530-471-831	CYLINDER SET, MASTER	1		
13	53175-KSP-B51	LEVER, R. STEERING HANDLE	1		
14	90114-KGH-900	BOLT, HANDLE LEVER PIVOT	1		
15	90145-GAZ-981	BOLT, OIL, 10X22	2		
16	90545-300-000	WASHER, OIL BOLT	4		
17	90651-MA5-672	CIRCLIP	1		
18	93600-04012-1G	SCREW, FLAT, 4X12	2		
19	93893-04012-17	SCREW-WASHER, 4X12	1		
20	94050-0600	NUT, FLANGE, 6MM	1		
21	96001-06012-07	BOLT, FLANGE, 6X12	1		
22	96001-06022-07	BOLT, FLANGE, 6X22	2		

F-7

HANDLE PIPE/TOP BRIDGE



K568F0700

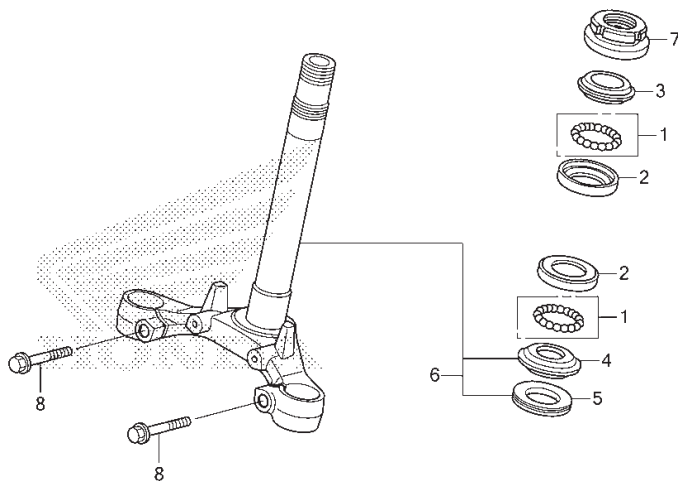
No. Ref.	L.O.N.	(Nomor ref. relatif) Deskripsi	F.R.T.
1	6151A1	KEY SET.....	0,7
7	8101B1	PIPE, STEERING HANDLE :RIGHT...	0,3
9	8101B0	PIPE, STEERING HANDLE :LEFT....	0,3
	8101B2	PIPE, STEERING HANDLE :	
		KEDUA-DUANYA.....	0,5
10	510110	BRIDGE, FORK TOP.....	0,4

No. Ref.	No. Part	Deskripsi	Jumlah SONIC 150R (FS150R) 2015(G)	No. Seri	Kode Parts Catalog
1	35010-K56-N00	KEY SET	1		
4	35105-K56-N00	STAY, COMBINATION SWITCH	1		
7	53100-K56-N00	PIPE, R. STEERING HANDLE	1		
8	53105-K56-N00	END, STEERING HANDLE	2		
9	53150-K56-N00	PIPE, L. STEERING HANDLE	1		
10	53230-K56-N00ZA	BRIDGE, FORK TOP *NH255M*	1		
		SHIMMER SILVER METALLIC	1		
11	90107-KPP-860	BOLT, BREAK OFF	2		
12	90111-MR5-000	BOLT, SOCKET, 5X9	1		
13	90164-KZL-A00	SCREW, U-LOCK FLAT, 6X12	2		
14	90304-KSP-901	NUT, STEERING STEM	1		
15	90503-KSP-900	WASHER, STEERING STEM	1		
16	95701-08032-00	BOLT, FLANGE, 8X32	2		
17	95701-08040-01	BOLT, FLANGE, 8X40	2		



F-9

STEERING STEM



K568F0900

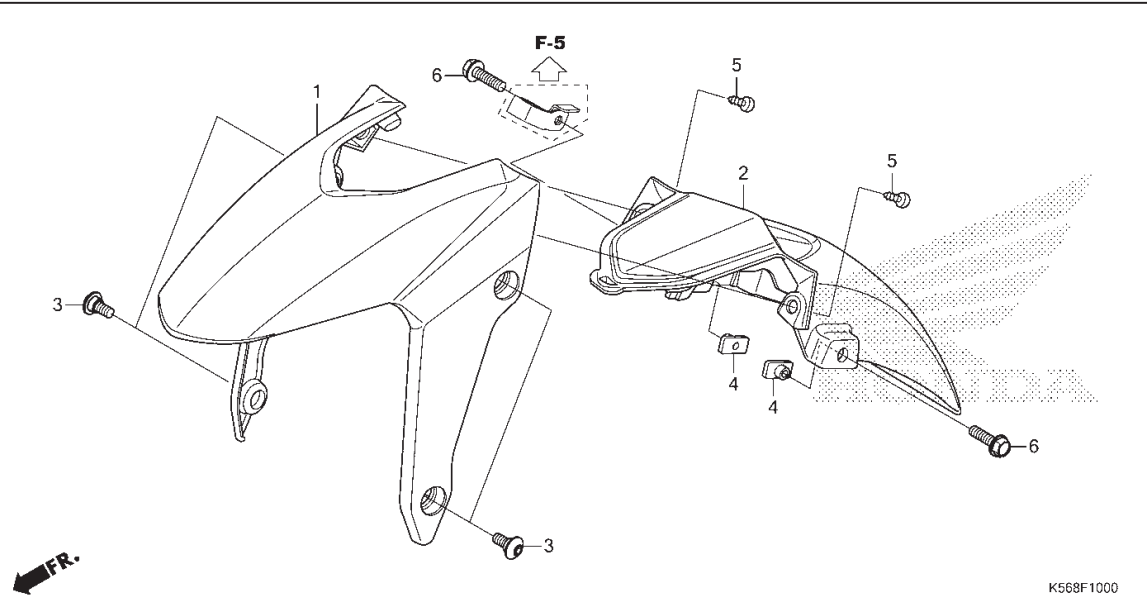
No. Ref.	L.O.N.	(Nomor ref. relatif) Deskripsi	F.R.T.
2		(1)	
	5101A0	RACE, STEERING BALL :UPPER.....	1,0
	5101A1	RACE, STEERING BALL :LOWER.....	1,2
	5101C9	RACE, STEERING BALL : KEDUA-DUANYA.....	1,2
3	5101A9	RACE, STEERING TOP CONE.....	1,0
4		(1,5)	
	5101B0	RACE, STEERING BOTTOM CONE.....	1,2
6	510100	STEM ATAU SHAFT ASSY., STEERING	1,0
		CATATAN: Termasuk No. Ref. 1,2	
7	5101B2	THREAD, STEERING HEAD TOP.....	0,8

No. Ref.	No. Part	Deskripsi	Jumlah SONIC 150R (FS150R) 2015(G)	No. Seri	Kode Parts Catalog
1	06531-KW6-840	BALL ASSY., STEEL, #8X18	2		
2	50301-KTR-900	RACE, STEERING TOP BALL	2		
3	53211-268-011	RACE, STEERING TOP CONE	1		
4	53212-200-000	RACE, STEERING BOTTOM CONE	1		
5	53214-200-000	DUST SEAL, STEERING HEAD	1		
6	5320A-K56-N00	STEM, STEERING	1		
7	53220-KSP-860	THREAD COMP., STEERING HEAD	1		
8	95701-08035-00	BOLT, FLANGE, 8X35	2		

3

F-10

FRONT FENDER



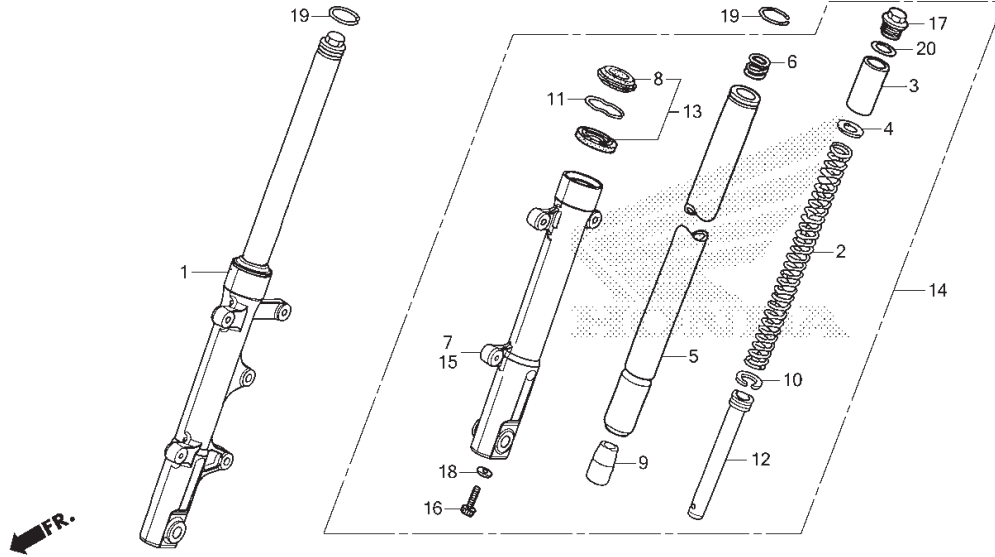
No. Ref.	L.O.N.	(Nomor ref. relatif) Deskripsi	F.R.T.
1	413103	FENDER A, FRONT.....	0,2
2	413104	FENDER B, FRONT.....	0,2

No. Ref.	No. Part	Deskripsi	Jumlah SONIC 150R (FS150R) 2015(G)	No. Seri	Kode Parts Catalog
1	61100-K56-N00FMB	FENDER A, FR.(WL)			
		NH1	1	REPSOL, STANDARD
	61100-K56-N00SMM	*RP195* .SPACE MAGENTA METALLIC	1	STANDARD
	61100-K56-N00WRD	*R258*	1	STANDARD
	61100-K56-N00RSW	*NH196*	1	STANDARD
2	61200-K56-N00	FENDER B, FR.	1		
3	90133-K56-N00	SCREW, PAN, 6X14	4		
4	90301-K03-N30	NUT, SPECIAL, 6MM	2		
5	93904-25210	SCREW, TAPPING, 5X12	2		
6	96001-06025-08	BOLT, FLANGE, 6X25	2		



F-11

FRONT FORK



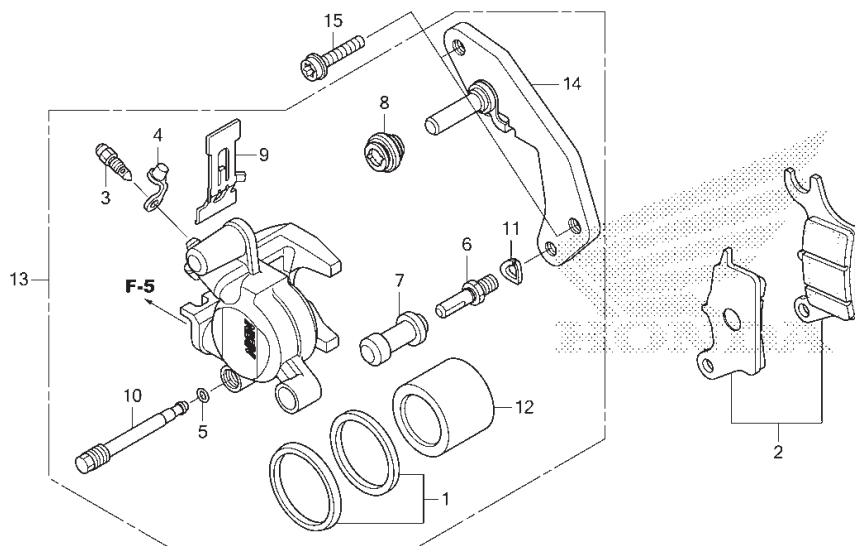
No. Ref.	L.O.N.	(Nomor ref. relatif) Deskripsi	F.R.T.
1	5111C3	FORK ASSY., FRONT :RIGHT.....	0,3
2	5111C5	SPRING, FRONT FORK :LEFT.....	0,5
	5111C6	SPRING, FRONT FORK :RIGHT.....	0,5
	5111C7	SPRING, FRONT FORK : KEDUA-DUANYA.....	0,8 (6,9,10,12)
5	5111G2	PIPE, FRONT FORK :LEFT.....	0,6
	5111G3	PIPE, FRONT FORK :RIGHT.....	0,6
	5111G4	PIPE, FRONT FORK :KEDUA-DUANYA	1,0
7	5111D2	CASE, BOTTOM :RIGHT.....	0,7
13	5111E7	SEAL SET, FRONT FORK :LEFT.....	0,6
	5111E8	SEAL SET, FRONT FORK :RIGHT....	0,6
	5111E9	SEAL SET, FRONT FORK : KEDUA-DUANYA.....	1,0
14	5111C2	FORK ASSY., FRONT :LEFT.....	0,3
	5111C4	FORK ASSY., FRONT :KEDUA-DUANYA	0,4
15	5111D1	CASE, BOTTOM :LEFT.....	0,7
	5111D3	CASE, BOTTOM :KEDUA-DUANYA.....	1,2

No. Ref.	No. Part	Deskripsi	Jumlah SONIC 160R (FS160R) 2015(G)	No. Seri	Kode Parts Catalog
1	51400-K56-N01	FORK ASSY., R. FR.	1		
2	51401-K56-N01	SPRING, FR. FORK	2		
3	51402-K56-N01	COLLAR, SPRING	2		
4	51403-GF4-003	JOINT, FR. CUSHION SPRING	2		
5	51410-K56-N01	PIPE COMP., FR. FORK	2		
6	51412-GN5-901	SPRING, REBOUND	2		
7	51420-K56-N01	CASE, R. FR. BOTTOM	1		
8	51425-GN5-901	SEAL, DUST	2		
9	51432-KGH-902	PIECE, OIL LOCK	2		
10	51437-GM0-003	RING, PISTON	2		
11	51466-065-901	RING, OIL SEAL STOPPER	2		
12	51470-K56-N01	PIPE, SEAT	2		
13	51490-KWZ-901	SEAL SET, FR. FORK	2		
14	51500-K56-N01	FORK ASSY., L. FR.	1		
15	51520-K56-N01	CASE, L. FR. BOTTOM	1		
16	90116-KV3-702	BOLT, SOCKET, 8MM	2		
17	90123-KW7-901	BOLT, FORK	2		
18	90544-283-000	WASHER, SPECIAL, 8MM	2		
19	90651-KW7-900	RING, SNAP	2		
20	91256-166-003	O-RING, 16.8X2.4	2		

3

F-12-10

FRONT BRAKE CALIPER



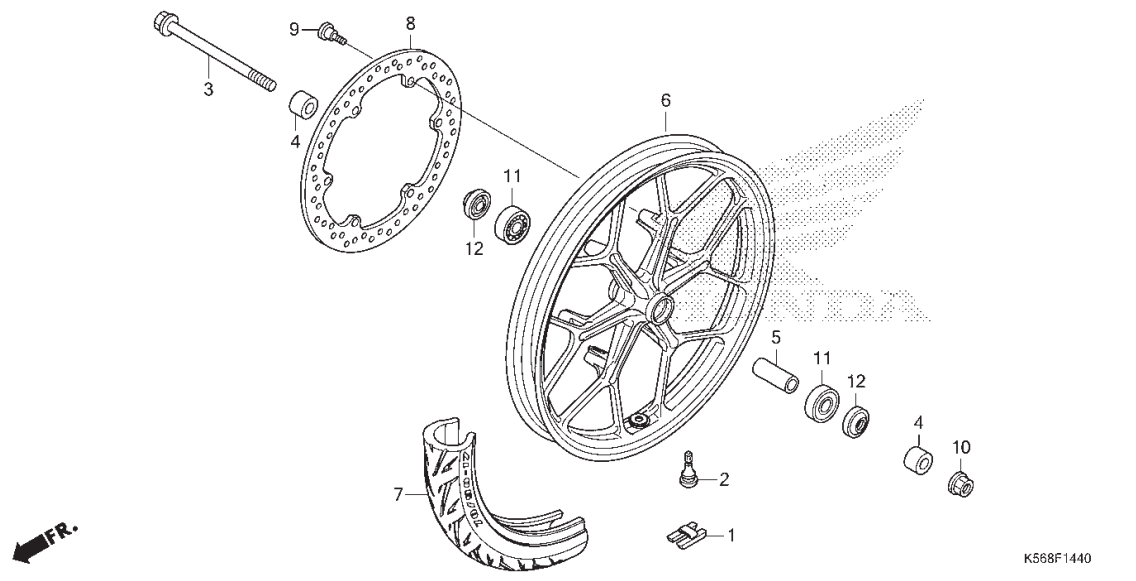
No. Ref.	L.O.N.	(Nomor ref. relatif) Deskripsi	F.R.T.
2	711115	SHOE(PAD) SET, BRAKE :FRONT....	0,1
12	7111D1	PISTON, FRONT BRAKE CALIPER....	0,4
13	711130	CALIPER, FRONT BRAKE.....	0,3
14	7111G0	BRACKET, FRONT CALIPER.....	0,1

No. Ref.	No. Part	Deskripsi	Jumlah SONIC 150R (FS150R) 2015(G)	No. Seri	Kode Parts Catalog
1	06451-961-405	SEAL SET, PISTON	1		
2	06455-K56-N01	PAD SET, FR. BRAKE	1		
3	43352-568-004	SCREW, BLEEDER	1		
4	43353-461-772	CAP, BLEEDER	1		
5	45111-MAJ-G42	RING, STOPPER	1		
6	45131-G20-007	BOLT, PIN	1		
7	45132-166-017	BOOT, PIN BUSH	1		
8	45133-MA3-007	BOOT B	1		
9	45208-KWB-601	SPRING, PAD	1		
10	45215-KPH-951	PIN, HANGER	1		
11	45216-166-007	WASHER, WAVE	1		
12	45218-KWB-601	PISTON	1		
13	45250-K56-N01	CALIPER SUB ASSY., R. FR.	1		
14	45290-K56-N01	BRACKET SUB ASSY., FR. CALIPER .	1		
15	90131-KPH-881	BOLT, TORX, 8X25	2		



F-14-40

FRONT WHEEL



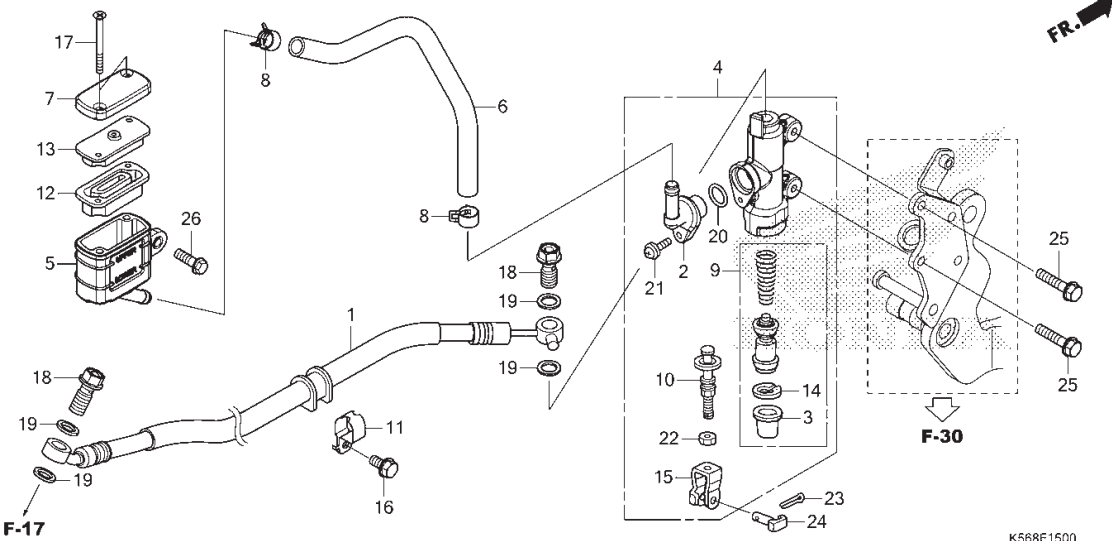
No. Ref.	L.O.N.	(Nomor ref. relatif) Deskripsi	F.R.T.
1	7101A6	WEIGHT, BALANCE :FRONT..... (12)	0,5
3	710151	AXLE, FRONT WHEEL.....	0,2
6	7101D4	FRONT WHEEL..... .TERMASUK: Balancing CATATAN: Termasuk No. Ref. 2,5,11,12	0,9
7	710139	FRONT TIRE(SATU)..... .TERMASUK: Balancing	0,8
8	711120	DISC, FRONT BRAKE.....	0,3
11	710115	BEARING, FRONT WHEEL(SATU).....	0,4
	710115G	.Ganti 1 bearing tambahkan.....	0,1

3

No. Ref.	No. Part	Deskripsi	Jumlah SONIC 150R (FS150R) 2015(G)	No. Seri	Kode Parts Catalog
1	42704-MER-D00	WEIGHT, BALANCE(10G)	N		
	42705-MER-D00	WEIGHT, BALANCE(20G)	N		
	42706-MER-D00	WEIGHT, BALANCE(30G)	N		
2	42753-KWF-901	VALVE, RIM	1		
3	44301-K56-N00	AXLE, FR. WHEEL	1		
4	44311-K56-N00	COLLAR, FR. WHEEL SIDE	2		
5	44620-KPH-951	COLLAR, FR. AXLE DISTANCE	1		
6	44601-K56-N00ZA	WHEEL SUB ASSY., FR. *YR271*NITRIC ORANGE	1	REPSOL
	44601-K56-N00ZB	*NH303M* MAT AXIS GRAY METALLIC	1	STANDARD
7	44711-K56-N00	TIRE, FR. (70/90-17M/C 38P)	1		
8	45251-K56-N01	DISK, FR. BRAKE	1		
9	90105-KGH-901	BOLT, BRAKE DISK, 8X24	6		
10	90306-KGH-902	NUT, U, 12MM	1		
11	91052-K03-N41	BEARING, RADIAL BALL(6201U L) (SK)	2		
	91052-K24-902	BEARING, RADIAL BALL(6201U L) (NT)	2		
	91052-K24-903	BEARING, RADIAL BALL(6201U L) (FK)	2		
	91052-K24-904	BEARING, RADIAL BALL(6201U L) (FA)	2		
12	91251-KPH-901	DUST SEAL, 21X37X7	2		

F-15

REAR BRAKE MASTER CYLINDER



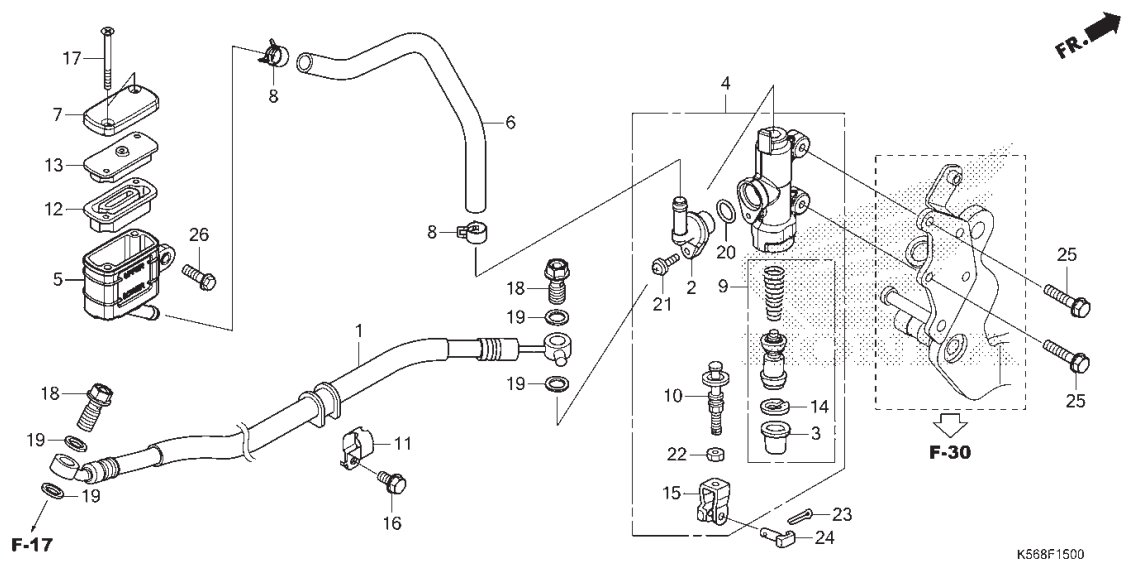
No. Ref.	L.O.N.	(Nomor ref. relatif) Deskripsi	F.R.T.
1	712130	HOSE, REAR BRAKE.....	0,4
		.TERMASUK: Pembuangan angin palsu	
4	712125	CYLINDER, REAR BRAKE MASTER....	0,4
		.TERMASUK: Pembuangan angin palsu	
5	7121F6	CUP, REAR MASTER CYLINDER OIL..	0,3
		.TERMASUK: Pembuangan angin palsu	
6	7121C2	HOSE, REAR MASTER CYLINDER OIL CUP.....	0,3
		.TERMASUK: Pembuangan angin palsu	
9	7121H0	PISTON SET, REAR BRAKE MASTER..	0,4
		.TERMASUK: Pembuangan angin palsu	
12	7121G7	DIAPHRAGM, REAR BRAKE MASTER CYLINDER.....	0,1

No. Ref.	No. Part	Deskripsi	Jumlah SONIC 150R (FS150R) 2015(G)	No. Seri	Kode Parts Catalog
1	43310-K56-N01	HOSE COMP., RR. BRAKE	1		
2	43503-MER-D01	CONNECTOR, MASTER CYLINDER	1		
3	43504-MB2-007	BOOT COMP.	1		
4	43510-K56-N01	CYLINDER SUB ASSY., RR. BRAKE MASTER	1		
5	43511-KW7-882	CUP COMP., OIL	1		
6	43512-K56-N01	HOSE COMP., RR. BRAKE MASTER ...	1		
7	43513-KBP-882	CAP, MASTER CYLINDER	1		
8	43514-KS6-702	CLAMP, MASTER CYLINDER OIL HOSE	2		
9	43520-MJ6-316	PISTON SET, MASTER CYLINDER	1		
10	43530-KV3-702	ROD COMP., PUSH	1		
11	45156-K20-900	CLAMPER A, BRAKE HOSE	1		
12	45520-GW0-912	DIAPHRAGM	1		
13	45521-GW0-913	PLATE, DIAPHRAGM	1		
14	46182-MEL-D21	CIRCLIP	1		
15	46504-KV6-703	JOINT, BRAKE ROD	1		
16	90103-MCS-600	BOLT, FLANGE, 6X12	1		
17	90140-KZZ-901	SCREW, FLAT, 4X45	2		
18	90145-GAZ-981	BOLT, OIL, 10X22	2		
19	90545-300-000	WASHER, OIL BOLT	4		
20	91212-422-007	O-RING, 14.8X2.4	1		
21	93893-04012-17	SCREW-WASHER, 4X12	1		
22	94002-08000-0S	NUT, HEX., 8MM	1		



F-15

REAR BRAKE MASTER CYLINDER

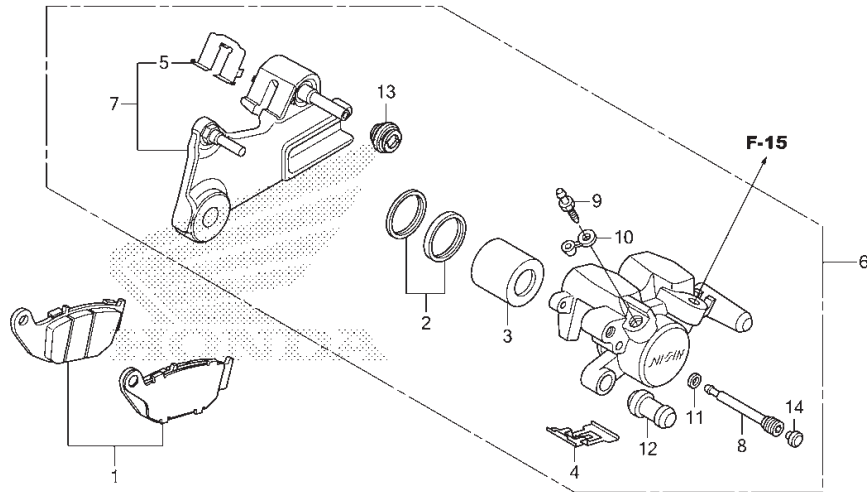


3

No. Ref.	No. Part	Deskripsi	Jumlah SONIC 150R (FS150R) 2015(G)	No. Seri	Kode Parts Catalog
23	94201-20150	PIN, SPLIT, 2.0X15	1		
24	95015-54002	PIN D, JOINT	1		
25	95701-06018-01	BOLT, FLANGE, 6X18	2		
26	96001-06014-00	BOLT, FLANGE, 6X14	1		

F-17

REAR BRAKE CALIPER



K568F1700

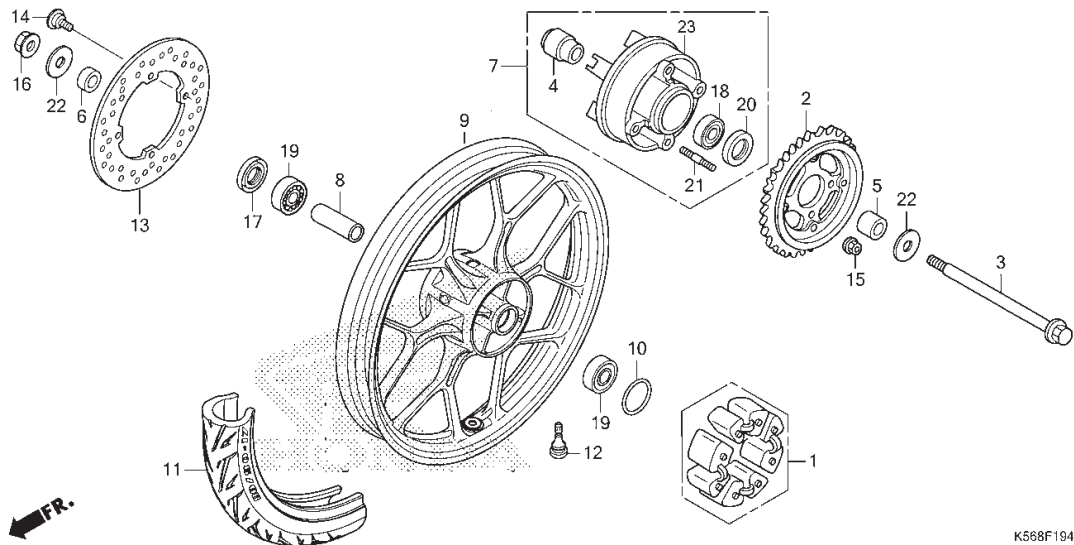
No. Ref.	L.O.N.	(Nomor ref. relatif) Deskripsi	F.R.T.
1	711140	SHOE(PAD) SET, BRAKE :REAR..... (2)	0,1
3	7111D5	PISTON, REAR BRAKE CALIPER..... .TERMASUK: Pembuangan angin palsu	0,6
6	711155	CALIPER, REAR BRAKE..... .TERMASUK: Pembuangan	0,5
7	7111C1	BRACKET, REAR CALIPER.....	0,2

No. Ref.	No. Part	Deskripsi	Jumlah SONIC 150R (FS150R) 2015(G)	No. Seri	Kode Parts Catalog
1	06435-K56-N01	PAD SET, RR.	1		
2	06451-MA7-406	SEAL SET, PISTON	1		
3	43107-MA7-007	PISTON	1		
4	43108-KSP-B51	SPRING, PAD	1		
5	43112-KSP-B01	RETAINER	1		
6	43150-K56-N01	CALIPER SUB ASSY., RR.	1		
7	43190-K56-N01	BRACKET SUB ASSY., RR.	1		
8	43215-KGH-902	PIN, HANGER	1		
9	43352-568-004	SCREW, BLEEDER	1		
10	43353-461-772	CAP, BLEEDER	1		
11	45111-MAJ-G42	RING, STOPPER	1		
12	45132-166-017	BOOT, PIN BUSH	1		
13	45133-MA3-007	BOOT B	1		
14	45203-MCC-007	PLUG, PIN	1		



F-19-40

REAR WHEEL



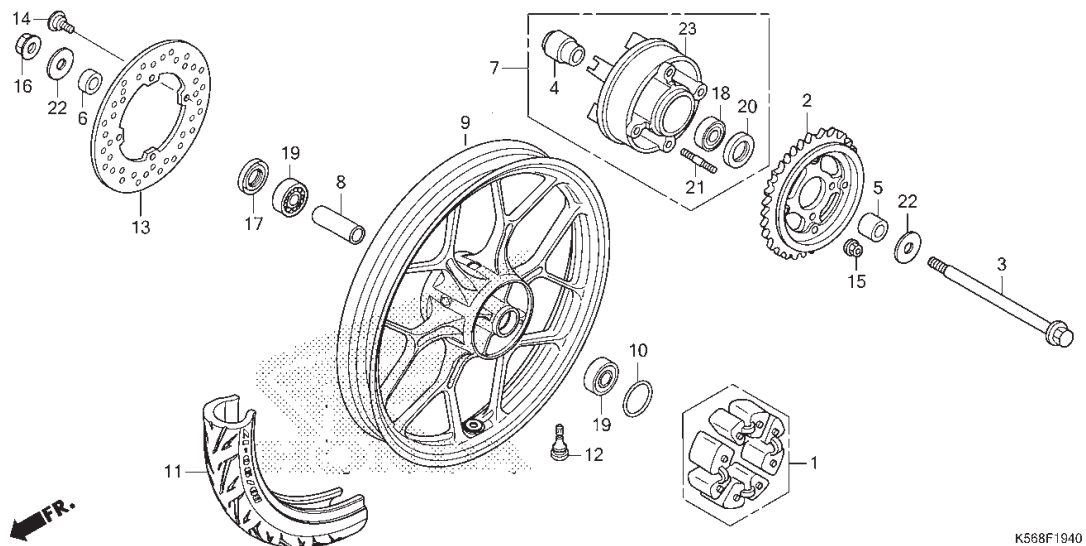
No. Ref.	L.O.N.	(Nomor ref. relatif) Deskripsi	F.R.T.
1		(10)	
2	710157	DAMPER, REAR WHEEL.....	0,2
3	7101A0	SPROCKET, FINAL DRIVEN.....	0,3
		(17,2)	
7	710160	AXLE, REAR WHEEL.....	0,2
9	7101A5	FLANGE ASSY., FINAL DRIVEN....	0,3
	710118	REAR WHEEL.....	0,6
		Catatan: Termasuk No. Ref. 8,10,12,17,19	
11	710142	REAR TIRE(SATU).....	0,5
13	711145	DISC, REAR BRAKE.....	0,3
18	7101D1	BEARING, FINAL DRIVEN FLANGE...	0,4
19	710133	BEARING, REAR WHEEL(SATU).....	0,4
	710133G	.Ganti 1 bearing tambahkan.....	0,1

3

No. Ref.	No. Part	Deskripsi	Jumlah SONIC 150R (FS150R) 2015(G)	No. Seri	Kode Parts Catalog
1	41241-KW7-881	DAMPER, WHEEL	4		
2	41200-K56-N00	SPROCKET COMP., FINAL DRIVEN(42T)	1		
3	42301-K56-N00	AXLE, RR. WHEEL	1		
4	42303-KAN-T40	SLEEVE, RR. WHEEL	1		
5	42304-KPP-900	COLLAR, L. RR. WHEEL SIDE	1		
6	42313-KGH-901	COLLAR, RR. WHEEL SIDE	1		
7	42615-K56-N00	FLANGE SUB ASSY, DRIVEN	1		
8	42620-K56-N00	COLLAR, RR. AXLE DISTANCE	1		
9	42601-K59-N00ZA	WHEEL SUB ASSY., RR. *YR271*	1	REPSOL
	42601-K59-N00ZB	*NH303M* MAT AXIS GRAY METALLIC	1	STANDARD
10	42653-001-004	O-RING, 40.5X3	1		
11	42711-K56-N00	TIRE, RR. (80/90-17M/C 50P)	1		
12	42753-KWF-901	VALVE, RIM	1		
13	43351-K56-N01	DISK, RR. BRAKE	1		
14	90105-KGH-901	BOLT, BRAKE DISK, 8X24	4		
15	90304-KGH-901	NUT, U, 10MM	4		
16	90306-KGH-901	NUT, U, 12MM	1		
17	90753-051-003	OIL SEAL, 26X37X6(AR)	1		
	90753-051-005	OIL SEAL, 26X37X6(NO)	1		
18	91051-K35-V01	BEARING, RADIAL BALL, 6203UU (NK)	1		
19	91053-K03-H02	BEARING, RADIAL BALL(6301U L) (FA)	2		

F-19-40

REAR WHEEL

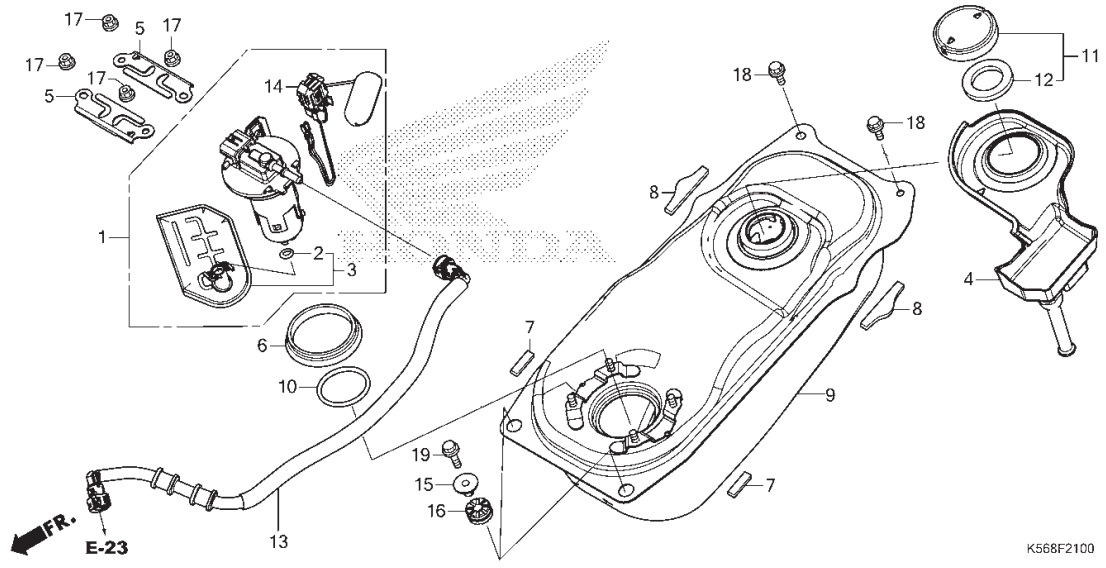


No. Ref.	No. Part	Deskripsi	Jumlah SONIC 150R (FS150R) 2015(G)	No. Seri	Kode Parts Catalog
(19)	91053-K03-N41	BEARING, RADIAL BALL(6301U L) (SK)	2		
20	91251-KGH-902	DUST SEAL, 27X40X4.5(NO)	1		
	91251-KPH-881	DUST SEAL, 27X40X4.5(AR)	1		
21	92915-10028-OE	BOLT, STUD, 10X28	4		
22	94103-12000	WASHER, PLAIN, 12MM	2		
23	42611-K56-N00	FLANGE, FINAL DRIVEN	1		



F-21

FUEL TANK



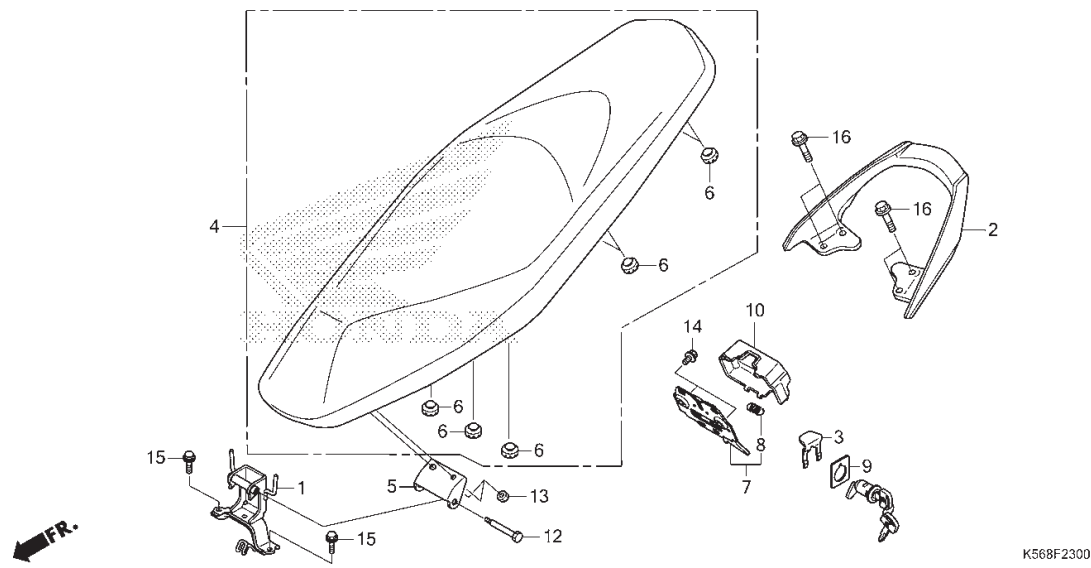
No. Ref.	L.O.N.	(Nomor ref. relatif) Deskripsi	F.R.T.
1		(6,1)	
310120		PUMP ASSY., FUEL.....	0,7
3		(2)	
3101C7		FILTER, FUEL.....	0,6
310100		TANK, FUEL.....	0,7
CATATAN: Termasuk No. Ref. 7,8			
310162		HOSE, FUEL FEED.....	0,6
617105		FUEL TANK SENDING UNIT.....	0,8

3

No. Ref.	No. Part	Deskripsi	Jumlah SONIC 150R (FS150R) 2015(G)	No. Seri	Kode Parts Catalog
1	16700-K56-N01	PUMP ASSY., FUEL	1		
2	16706-KVB-S51	O-RING(P7)	1		
3	16707-K56-N01	FILTER SET	1		
4	17505-K56-N00	TRAY, FUEL	1		
5	17517-GGL-J00	RETAINER, FUEL PUMP	2		
6	17518-GGL-J00	DUST SEAL	1		
7	17518-K56-N00	RUBBER, CUSHION	2		
8	17519-K56-N00	RUBBER, FUEL TANK CUSHION	2		
9	17510-K56-N00	TANK COMP., FUEL	1		
10	17572-GGL-J00	O-RING, FUEL PUMP	1		
11	17620-KGH-600	CAP, FUEL FILLER	1		
12	17631-KEV-900	PACKING, FUEL FILLER CAP	1		
13	17650-K56-N01	HOSE COMP., FUEL FEED	1		
14	37800-K56-N01	FUEL UNIT	1		
15	61104-428-000	COLLAR, FR. FENDER	2		
16	84703-425-001	RUBBER, TAILLIGHT MOUNTING	2		
17	94050-0600	NUT, FLANGE, 6MM	4		
18	95701-06012-00	BOLT, FLANGE, 6X12	2		
19	95701-06022-01	BOLT, FLANGE, 6X22	2		

F-23

SEAT



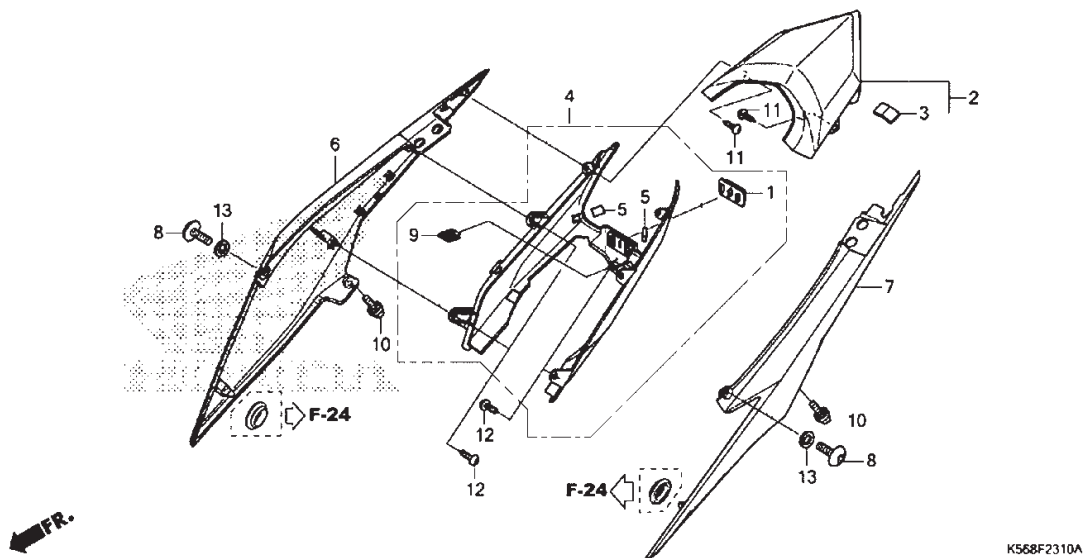
No. Ref.	L.O.N.	(Nomor ref. relatif) Deskripsi	F.R.T.
1		(5)	
4131P0		HINGE, SEAT.....	0,4
4131F6		RAIL, GRAB :REAR.....	0,1
4131E4		SEAT :DOUBLE.....	0,1
4131E8		CATCH, SEAT :SIDE BELAKANG.....	0,1

No. Ref.	No. Part	Deskripsi	Jumlah SONIC 150R (FS150R) 2015(G)	No. Seri	Kode Parts Catalog
1	50193-K56-N00	STAY, SEAT HINGE	1		
2	50400-K56-N00ZA	GRIP, RR. *NH303M* MAT AXIS GRAY METALLIC	1	REPSOL
	50400-K56-N00ZB	*NH255M* SHIMMER SILVER METALLIC	1	STANDARD
3	75581-GN8-920	SPRING, LOCK KEY SETTING	1		
4	77200-K56-N00	SEAT COMP., DOUBLE	1		
5	77210-K56-N00	HINGE, SEAT	1		
6	77215-KW7-901	RUBBER C, SEAT SETTING	7		
7	77230-K56-N00	CATCH COMP., SEAT	1		
8	77234-K35-V00	SPRING, SEAT LOCK	1		
9	77236-GW0-000	WASHER, SEAT LOCK	1		
10	77237-K56-N00	COVER, SEAT CATCH	1		
12	90105-KPH-901	BOLT, SEAT HINGE	1		
13	94001-06070-0S	NUT, HEX., 6MM	2		
14	95701-06010-00	BOLT, FLANGE, 6X10	2		
15	95701-06012-00	BOLT, FLANGE, 6X12	2		
16	95701-08022-00	BOLT, FLANGE, 8X22	4		



F-23-10

BODY COVER



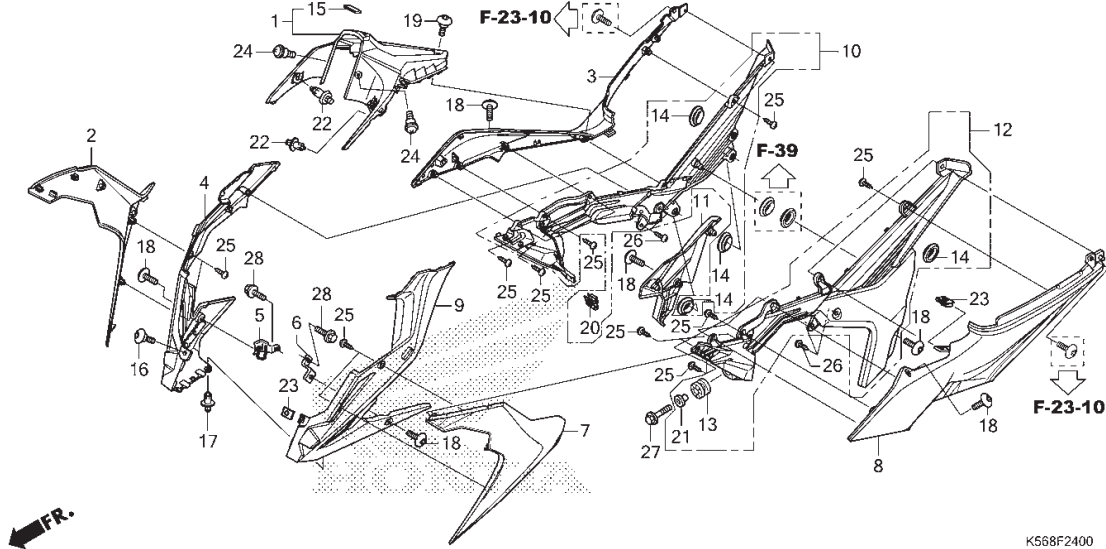
No. Ref.	L.O.N.	(Nomor ref. relatif) Deskripsi	F.R.T.
2	6161G8	COVER, TAILLIGHT.....	0,2
4	6161AD	COVER, TAILLIGHT :UNDER.....	0,2
CATATAN: Tidak termasuk No.Ref. 1,5,9			
6	4131J0	COVER, BODY :RIGHT.....	0,2
7	4131H9	COVER, BODY :LEFT.....	0,2
	4131J1	COVER, BODY :KEDUA-DUANYA.....	0,2

3

No. Ref.	No. Part	Deskripsi	Jumlah SONIC 150R (FS150R) 2015(G)	No. Seri	Kode Parts Catalog
1	33741-KAN-961	REFLECTOR, RR. REFLEX	1		
2	64600-K56-N00	COVER, COMBINATION LIGHT UPPER .	1		
3	64601-K56-N00	RUBBER, TAILLIGHT CUSHION (UPPER)	1		
4	6470A-K56-N00	COVER, COMBINATION LIGHT LOWER (WL)	1		
5	64751-K56-N00	RUBBER, CUSHION COMBINATION LIGHT	2		
6	83610-K56-NOORSW	COVER, R. BODY(WL) *NH196*	1	REPSOL	
	83610-K56-NOOSMM	*RP195* .SPACE MAGENTA METALLIC	1	STANDARD	
	83610-K56-NOOWRD	*R258*	1	STANDARD	
	83610-K56-NOOFMB	*NH1*	1	STANDARD	
7	83620-K56-NOORSW	COVER, L. BODY(WL) *NH196*	1	REPSOL,STANDARD	
	83620-K56-NOOSMM	*RP195* .SPACE MAGENTA METALLIC	1	STANDARD	
	83620-K56-NOOWRD	*R258*	1	STANDARD	
	83620-K56-NOOFMB	*NH1*	1	STANDARD	
8	90134-K33-D00	SCREW, PAN, 6X12	2		
9	90677-KAN-T00	NUT, CLIP, 5MM	1		
10	91509-GE2-760	SCREW, PAN, 5X11.5	2		
11	93913-24220	SCREW, TAPPING, 4X12	2		
12	93903-25210	SCREW, TAPPING, 5X12	4		
13	90514-K45-N00	WASHER, RUBBER (6MM)	2		

F-24

SIDE COVER



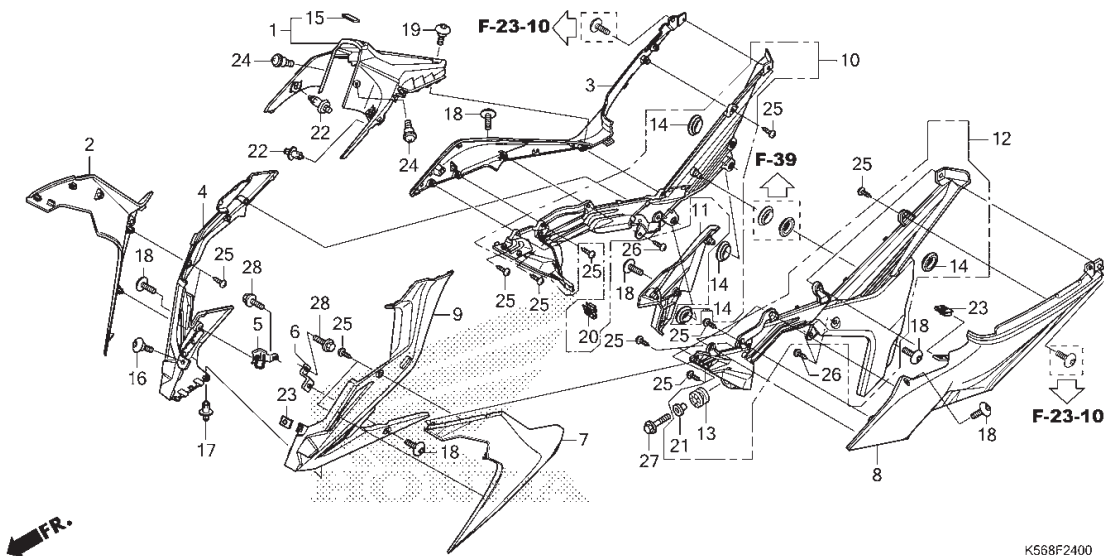
No. Ref.	L.O.N.	(Nomor ref. relatif) Deskripsi	F.R.T.
1	4131V7	COVER, HEAD PIPE.....	0,1
2	4111D1	COWL, SIDE :RIGHT.....	0,6
3	4111E8	PANEL, SIDE :RIGHT.....	0,5
4	4111D7	COWL, LOWER :RIGHT.....	0,6
7	4111D0	COWL, SIDE :LEFT.....	0,6
	4111D2	COWL, SIDE :KEDUA-DUANYA.....	0,7
8	4111E7	PANEL, SIDE :LEFT.....	0,5
	4111AP	PANEL, SIDE :KEDUA-DUANYA.....	0,6
9	4111D6	COWL, LOWER :LEFT.....	0,6
	4111H1	COWL, LOWER :KEDUA-DUANYA.....	0,7
10	4111H9	COVER, SIDE :RIGHT.....	0,5
		CATATAN: Tidak termasuk No. Ref. 14,20	
11	6101A1	COVER, BATTERY.....	0,1
12	4111H8	COVER, SIDE :LEFT.....	0,5
	4111J0	COVER, SIDE :KEDUA-DUANYA.....	0,6
		CATATAN: Tidak termasuk No. Ref. 13,14,21	

No. Ref.	No. Part	Deskripsi	Jumlah SONIC 150R (FS150R) 2015(G)	No. Seri	Kode Parts Catalog
1	6410A-K56-N00	SET ILLUSTR, COVER HEAD PIPE	1		
2	64320-K56-NOORSW	COWL, R. SIDE LOWER(WL) *NH196*ROSS WHITE	1		REPSOL,STANDARD
	64320-K56-NOOFMB	*NH1*BLACK	1		STANDARD
3	64340-K56-NOONOR	COVER, R. SIDE UPPER(WL) *YR271*NITRIC ORANGE	1		REPSOL
	64340-K56-NOOSMM	*RP195* .SPACE MAGENTA METALLIC	1		STANDARD
	64340-K56-NOOWRD	*R258*WINNING RED	1		STANDARD
	64340-K56-NOORSW	*NH196*ROSS WHITE	1		STANDARD
	64340-K56-NOOFMB	*NH1*BLACK	1		STANDARD
4	64330-K56-N00	COVER, R. UNDER	1		
5	64341-K56-N00	STAY, R. UNDER COVER	1		
6	64342-K56-N00	STAY, L. UNDER COVER	1		
7	64420-K56-NOORSW	COWL, L. SIDE LOWER(WL) *NH196*ROSS WHITE	1		REPSOL,STANDARD
	64420-K56-NOOFMB	*NH1*BLACK	1		STANDARD
8	64440-K56-NOONOR	COVER, L. SIDE UPPER(WL) *YR271*NITRIC ORANGE	1		REPSOL,STANDARD
	64440-K56-NOOSMM	*RP195* .SPACE MAGENTA METALLIC	1		STANDARD
	64440-K56-NOOWRD	*R258*WINNING RED	1		STANDARD
	64440-K56-NOORSW	*NH196*ROSS WHITE	1		STANDARD
	64440-K56-NOOFMB	*NH1*BLACK	1		STANDARD
9	64430-K56-N00	COVER, L. UNDER	1		
10	6450A-K56-N00	COVER ASSY., R. SIDE	1		
11	6452A-K56-N00	COVER, BATTERY SET	1		
12	6455A-K56-N00	COVER ASSY., L. SIDE	1		



F-24

SIDE COVER

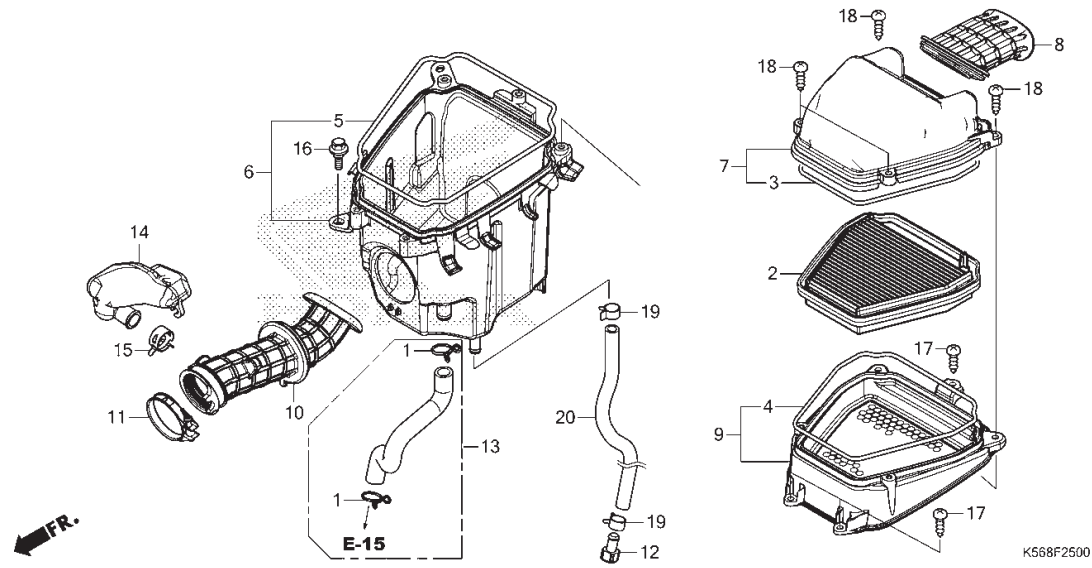


K568F2400

No. Ref.	No. Part	Deskripsi	Jumlah SONIC 150R (FS150R) 2015(G)	No. Seri	Kode Parts Catalog
13	64615-KR1-860	RUBBER, LOWER COWL MOUNTING	1		
14	83551-GE2-000	GROMMET, AIR CLEANER CASE	4		
15	86150-KYS-940	EMBLEM, PRODUCT	1		
16	90114-KPH-700	SCREW, SPECIAL, 5X11	1		
17	90116-SPO-004	CLIP, BUMPER SEAL	1		
18	90132-KPP-T01	SCREW, PAN, 6X10	6		
19	90134-KPP-T01	SCREW, PAN, 5X14	1		
20	90305-GK8-000	NUT, CLIP, 6MM	1		
21	90501-GR2-000	COLLAR, 6.2X11	1		
22	90601-PV3-004	CLIP, AIR INTAKE DUCT PUSH	2		
23	90677-KAN-T00	NUT, CLIP, 5MM	2		
24	91509-GE2-760	SCREW, PAN, 5X11.5	2		
25	93903-24310	SCREW, TAPPING, 4X12	22		
26	93903-25210	SCREW, TAPPING, 5X12	4		
27	95701-06022-01	BOLT, FLANGE, 6X22	1		
28	96001-06012-01	BOLT, FLANGE, 6X12	2		

F-25

AIR CLEANER



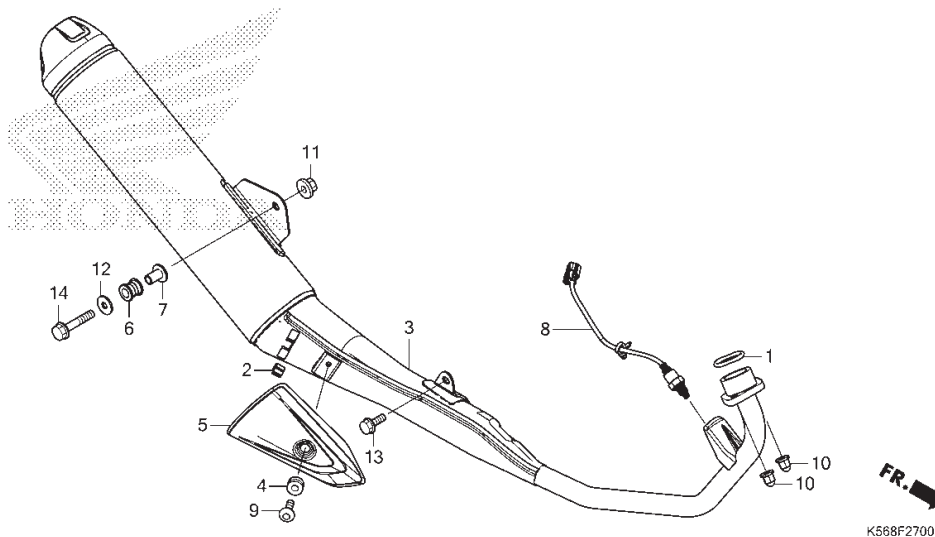
No. Ref.	L.O.N.	(Nomor ref. relatif) Deskripsi	F.R.T.
2		(3,4)	
6	312105	ELEMENT, AIR CLEANER.....	0,4
7	3121A5	CASE, AIR CLEANER.....	0,8
		(8)	
9	312102	COVER, AIR CLEANER CASE.....	0,4
		(5)	
10	3121A8	BASE, AIR CLEANER ELEMENT.....	0,5
14	3121B6	TUBE, AIR CLEANER CONNECTING...	0,8
		(7)	

No. Ref.	No. Part	Deskripsi	Jumlah SONIC 150R (FS150R) 2015(G)	No. Seri	Kode Parts Catalog
1	15772-MN1-670	CLIP B, BREATHER TUBE	2		
2	17210-K56-N00	ELEMENT COMP., AIR CLEANER	1		
3	17213-K56-N00	SEAL, ELEMENT	1		
4	17213-K56-N00	SEAL, ELEMENT	1		
5	17214-K56-N00	SEAL, AIR CLEANER CASE	1		
6	17225-K56-N00	CASE SUB ASSY., AIR CLEANER	1		
7	17235-K56-N00	COVER SUB ASSY., AIR CLEANER ...	1		
8	17240-K56-N00	DUCT, INLET	1		
9	17245-K56-N00	HOLDER SUB ASSY., ELEMENT	1		
10	17253-K56-N00	TUBE, AIR CLEANER CONNECTING ...	1		
11	17256-K56-N00	BAND, AIR CLEANER CONNECTING TUBE (42)	1		
12	17370-419-701	PLUG, BREATHER TUBE	1		
13	1737A-K56-N00	TUBE ASSY., BREATHER	1		
14	17410-K56-N00	RESONATOR	1		
15	19509-KPH-900	CLAMP, TUBE(D19)	1		
16	90116-KVB-900	BOLT, FLANGE, 6MM	1		
17	93903-25480	SCREW, TAPPING, 5X20	3		
18	93903-25581	SCREW, TAPPING, 5X25	4		
19	95002-41200-08	CLAMP, TUBE(D12)	2		
20	95003-23030-31	TUBE, VINYL, 8X12X300	1		



F-27

EXHAUST MUFFLER



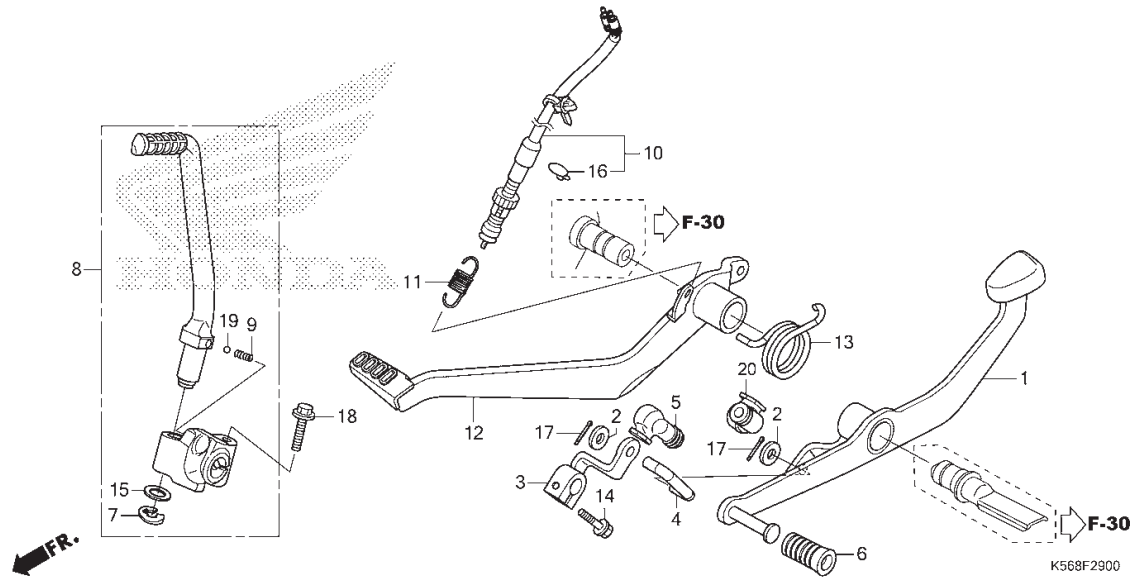
No. Ref.	L.O.N.	(Nomor ref. relatif) Deskripsi	F.R.T.
1	3131B4	GASKET, EXHAUST PIPE.....	0,2
3	313120	MUFFLER.....	0,3
5	313121	PROTECTOR, MUFFLER.....	0,1
8	617121	SENSOR, OXYGEN.....	0,3

3

No. Ref.	No. Part	Deskripsi	Jumlah SONIC 150R (FS150R) 2015(G)	No. Seri	Kode Parts Catalog
1	18291-MN5-651	GASKET, EX. PIPE	1		
2	18293-MCA-A20	RUBBER, PROTECTOR PACKING	1		
3	18300-K56-N00	MUFFLER COMP., EX.	1		
4	18345-MBT-610	RUBBER, PROTECTOR MOUNTING	1		
5	18356-K56-N00	PROTECTOR, MUFFLER	1		
6	18421-KE8-001	RUBBER, MUFFLER MOUNTING	1		
7	18422-KGC-901	COLLAR, MUFFLER MOUNTING	1		
8	36532-K56-N01	SENSOR, OXYGEN	1		
9	90113-KYJ-710	SCREW, PAN, 6X12	1		
10	90304-KPH-701	NUT, HEX. CAP, 8MM	2		
11	94050-08000	NUT, FLANGE, 8MM	1		
12	94103-08000	WASHER, PLAIN, 8MM	1		
13	95701-08016-01	BOLT, FLANGE, 8X16	1		
14	95701-08040-01	BOLT, FLANGE, 8X40	1		

F-29

PEDAL



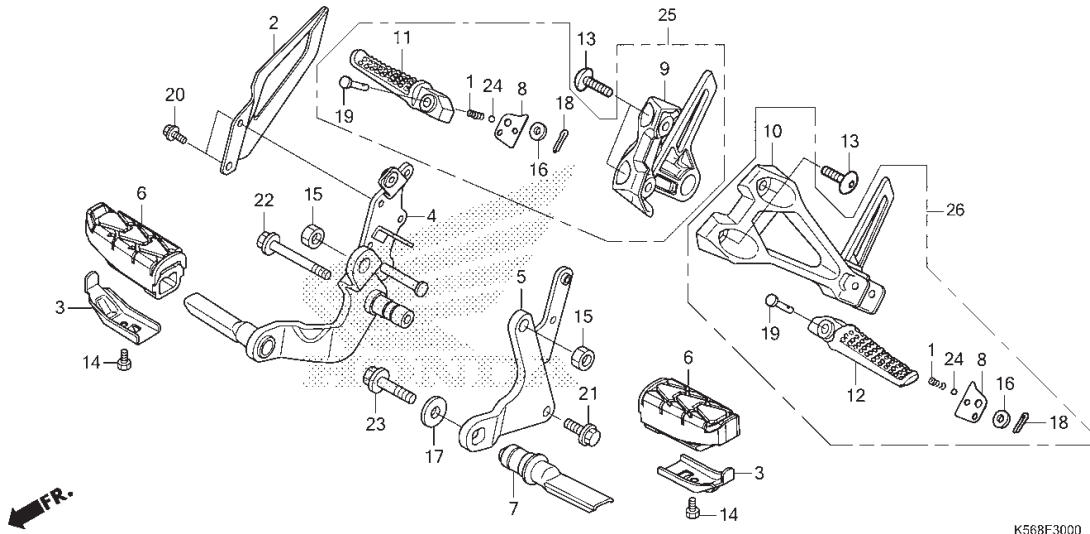
No. Ref.	L.O.N.	(Nomor ref. relatif) Deskripsi	F.R.T.
1	4101A1	PEDAL, GEAR CHANGE.....	0,2
3	4101A2	ARM, GEAR CHANGE.....	0,2
4	5101B5	ROD, CHANGE.....	0,2
8	112107	ARM, KICK STARTER.....	0,1
10	6151B5	SWITCH, REAR STOP :SISI PEDAL..	0,7
12	810160	PEDAL, REAR BRAKE.....	0,2

No. Ref.	No. Part	Deskripsi	Jumlah SONIC 150R (FS150R) 2015(G)	No. Seri	Kode Parts Catalog
1	24701-K56-N00	PEDAL, GEAR CHANGE	1		
2	24703-KW6-840	WASHER, NYLON, 7MM	2		
3	24711-K56-N00	ARM COMP., GEAR CHANGE	1		
4	24720-K56-N00	ROD, TIE	1		
5	24721-K56-N00	COVER, CHANGE PEDAL	1		
6	24781-KRM-860	RUBBER, GEAR CHANGE PEDAL	1		
7	28293-333-000	CLIP, KICK STARTER ARM	1		
8	28300-K56-N00	ARM ASSY., KICK STARTER	1		
9	28333-KK0-000	SPRING, KICK STARTER	1		
10	35350-K56-N01	SWITCH ASSY., RR. STOP	1		
11	35357-KY1-000	SPRING, STOP SWITCH	1		
12	46500-K56-N00	PEDAL COMP., RR. BRAKE	1		
13	46514-K56-N00	SPRING, BRAKE PEDAL	1		
14	90102-MN1-670	BOLT, FLANGE, 6X20	1		
15	90505-KRM-860	WASHER, 15.5X22	1		
16	90601-KAF-004	CLIP, SWITCH COVER	1		
17	94201-20121	PIN, SPLIT, 2.0X12	2		
18	95701-08035-07	BOLT, FLANGE, 8X35	1		
19	96211-08000	BALL, STEEL, #8(1/4)	1		
20	24722-K56-N00	COVER B, CHANGE PEDAL	1		



F-30

STEP



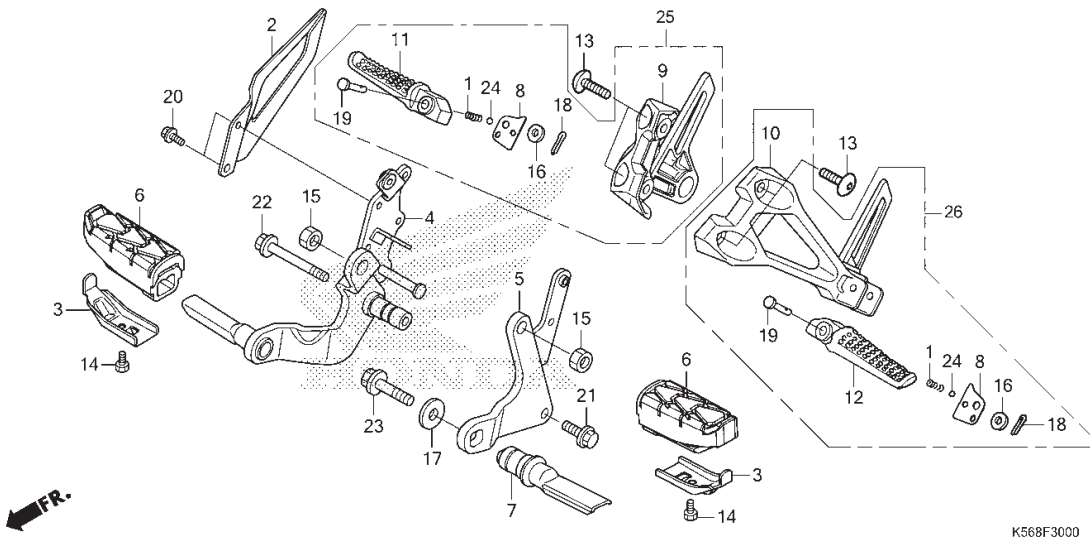
No. Ref.	L.O.N.	(Nomor ref. relatif) Deskripsi	F.R.T.
2	4101A0	GUARD, STEP.....	0,1
4	4101N2	HOLDER, STEP :RIGHT.....	0,2
5	4101N1	HOLDER, STEP :LEFT.....	0,1
	4101N6	HOLDER, STEP :KEDUA-DUANYA.....	0,2
6	4101D3	RUBBER, STEP :LEFT.....	0,1
	4101D4	RUBBER, STEP :RIGHT.....	0,1
	4101L8	RUBBER, STEP :KEDUA-DUANYA.....	0,1
7	4101C5	BAR, MAIN STEP :LEFT.....	0,1
9	4101D0	BRACKET, PILLION STEP :RIGHT...	0,1
10	4101C9	BRACKET, PILLION STEP :LEFT....	0,1
	4101K4	BRACKET, PILLION STEP : KEDUA-DUANYA.....	0,2
11	4101C8	BAR, PILLION STEP :RIGHT.....	0,1
12	4101C7	BAR, PILLION STEP :LEFT.....	0,1
	4101P4	BAR, PILLION STEP :KEDUA-DUANYA	0,2

No. Ref.	No. Part	Deskripsi	Jumlah SONIC 150R (FS150R) 2015(G)	No. Seri	Kode Parts Catalog
1	28333-300-000	SPRING, KICK STARTER STOPPER ...	2		
2	50606-K56-N00	GUARD, R. HEEL	1		
3	50619-K56-N00	PLATE, STEP LOWER	2		
4	50650-K56-N00	HOLDER, R. MAIN STEP	1		
5	50660-K56-N00	HOLDER, L. MAIN STEP	1		
6	50661-KYE-900	RUBBER, MAIN STEP	2		
7	50670-K56-N00	STEP COMP., CHANGE	1		
8	50711-K15-900	PLATE, PILLION STEP CLICK	2		
9	50715-K56-N00	HOLDER, R. PILLION STEP	1		
10	50716-K56-N00	HOLDER, L. PILLION STEP	1		
11	50720-KT7-761	BAR, R. PILLION STEP	1		
12	50730-KT7-761	BAR, L. PILLION STEP	1		
13	90128-KET-900	BOLT, SOCKET, 8X22	4		
14	92101-06012-07	BOLT, HEX., 6X12	2		
15	94002-12000-0S	NUT, HEX., 12MM	2		
16	94101-06000	WASHER, PLAIN, 6MM	2		
17	94103-10001	WASHER, PLAIN, 10MM	1		
18	94201-16150	PIN, SPLIT, 1.6X15	2		
19	95015-83000	PIN C, PILLION STEP	2		
20	95701-06010-00	BOLT, FLANGE, 6X10	2		
21	95701-08020-01	BOLT, FLANGE, 8X20	1		
22	95701-08065-00	BOLT, FLANGE, 8X65	1		
23	95701-10030-00	BOLT, FLANGE, 10X30	1		
24	96211-08000	BALL, STEEL, #8(1/4)	2		

3

F-30

STEP

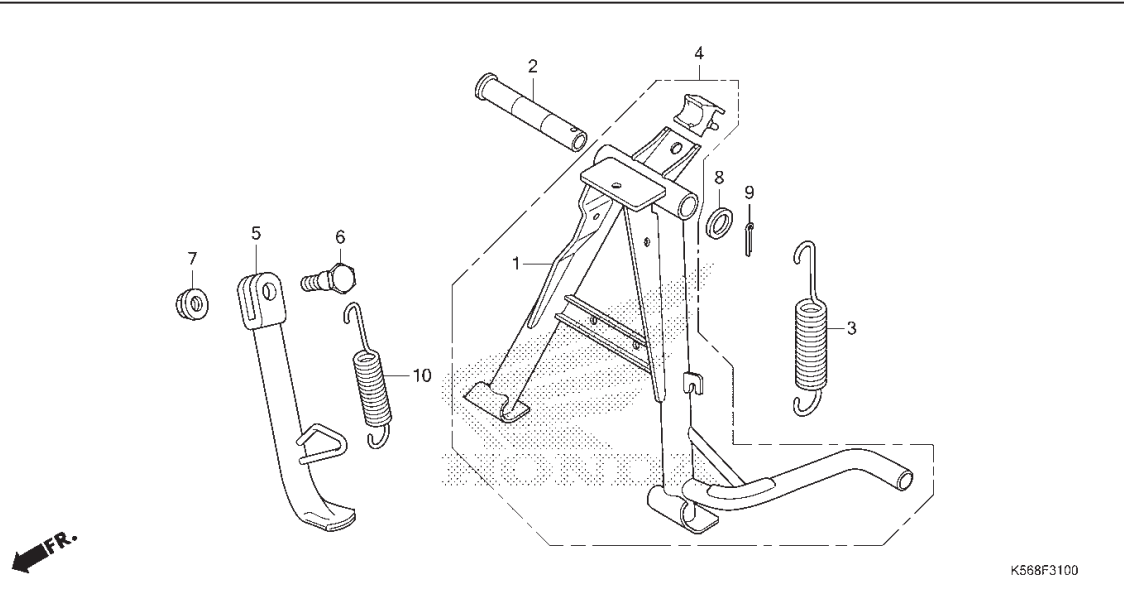


No. Ref.	No. Part	Deskripsi	Jumlah SONIC 150R (FS150R) 2015(G)	No. Seri	Kode Parts Catalog
25	50700-K56-N00	STEP ASSY., R. PILLION	1		
26	50705-K56-N00	STEP ASSY., L. PILLION	1		

3

F-31

STAND



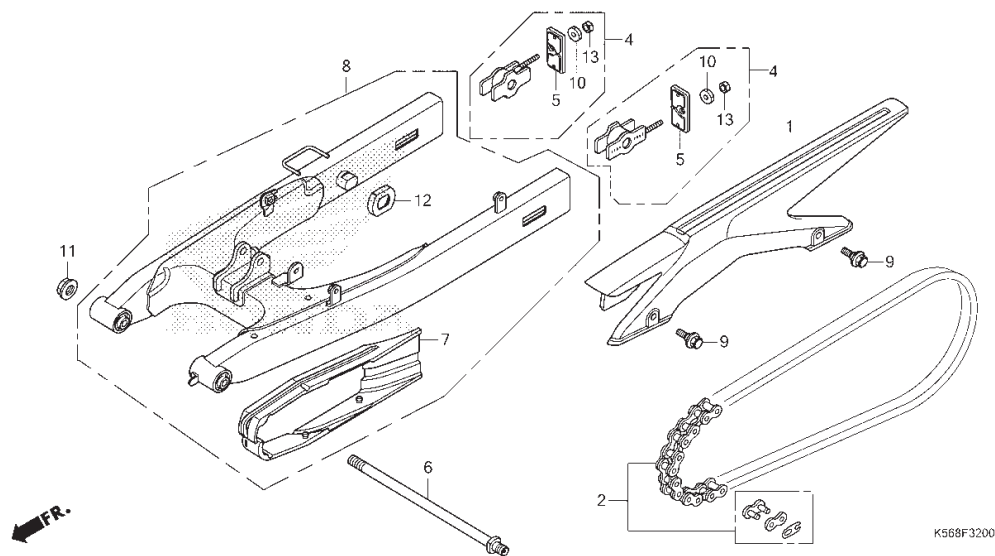
No. Ref.	L.O.N.	(Nomor ref. relatif) Deskripsi	F.R.T.
1		(2)	
	410175	STAND, MAIN.....	0,5
3	410176	SPRING, MAIN STAND.....	0,2
5	410180	BAR, SIDE STAND.....	0,2
10	410182	SPRING, SIDE STAND.....	0,1

3

No. Ref.	No. Part	Deskripsi	Jumlah SONIC 150R (FS150R) 2015(G)	No. Seri	Kode Parts Catalog
1	5050A-K56-N00	STAND ASSY., COMP., MAIN	1		
2	50512-KAN-961	PIPE, MAIN STAND PIVOT	1		
3	50522-KM3-000	SPRING, MAIN STAND	1		
4	50524-KBP-901	RUBBER, STAND STOPPER	1		
5	50530-K56-N00	BAR COMP., SIDE STAND	1		
6	90107-GN1-010	SCREW, SIDE STAND PIVOT	1		
7	90304-KGH-901	NUT, U, 10MM	1		
8	90521-028-000	WASHER, 17X22	1		
9	94201-30251	PIN, SPLIT, 3.0X25	1		
10	95014-72302	SPRING C, SIDE STAND	1		

F-32

SWINGARM



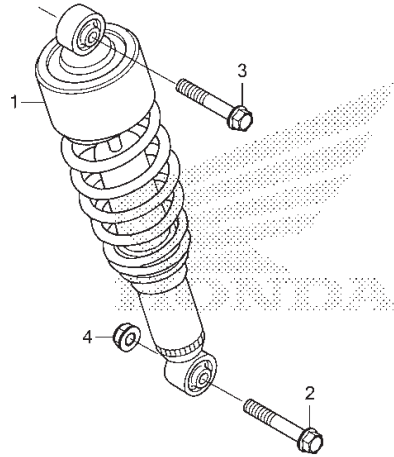
No. Ref.	L.O.N.	(Nomor ref. relatif) Deskripsi	F.R.T.
1	410195	CASE, DRIVE CHAIN.....	0,1
2	213165	CHAIN, DRIVE.....	0,2
7	4101E5	SLIDER, CHAIN.....	0,3
8	5121B0	SWINGARM ASSEMBLY.....	0,7
CATATAN: Tidak termasuk No. Ref. 7,12			

No. Ref.	No. Part	Deskripsi	Jumlah SONIC 150R (FS150R) 2015(G)	No. Seri	Kode Parts Catalog
1	40510-K56-N00	CASE, DRIVE CHAIN	1		
2	40530-K56-N01	CHAIN, DRIVE (FSCM428H-118RB) ...	1		
	40530-K56-N02	CHAIN, DRIVE (KMC428HG-118L)	1		
4	4054A-K56-N00	ADJUSTER ASSY., COMP., CHAIN ...	2		
5	40546-K15-902	CAP, SWINGARM END	2		
6	52101-K56-N00	BOLT, SWINGARM PIVOT	1		
7	52170-K56-N00	SLIDER, CHAIN	1		
8	5210A-K56-N00	SWINGARM SUB ASSY., RR. *NH1*	1		BLACK
9	90111-162-000	BOLT, FLANGE, 6MM	2		
10	90302-KBP-900	NUT, SPECIAL, 6MM	2		
11	90302-KGH-900	NUT, SPECIAL FLANGE, 12MM	1		
12	90502-K56-N00	SPACER, RR. CALIPER	1		
13	94001-06000-0S	NUT, HEX., 6MM	2		



F-33

REAR CUSHION



FR.

K568F3300

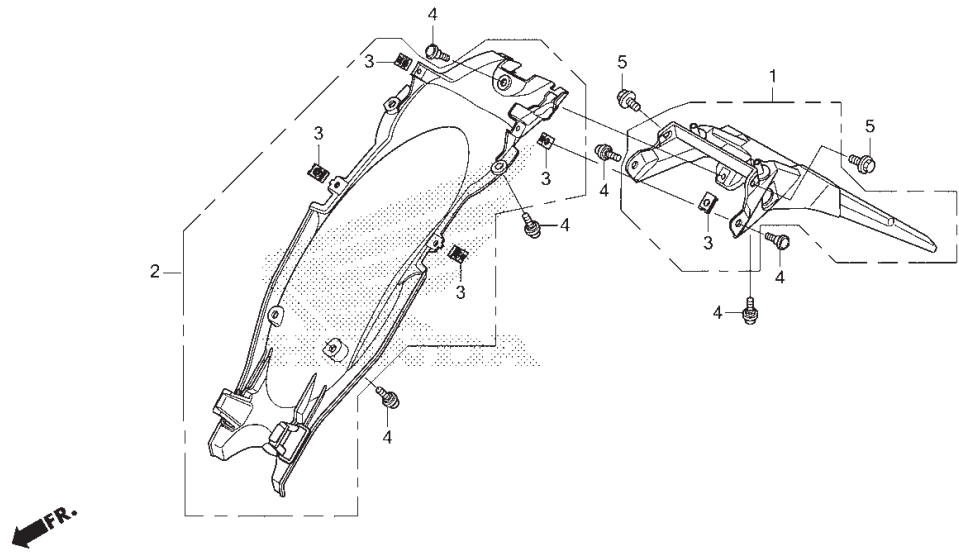
No. Ref.	L.O.N.	(Nomor ref. relatif) Deskripsi	F.R.T.
1	512115	CUSHION ASSY., REAR.....	0,6

3

No. Ref.	No. Part	Deskripsi	Jumlah SONIC 150R (FS150R) 2015(G)	No. Seri	Kode Parts Catalog
1	52400-K56-N20	CUSHION ASSY., RR.	1	REPSOL
	52400-K56-N00	1	STANDARD
2	90103-KPP-T00	BOLT, FLANGE, 10X46	1		
3	90182-K56-N00	BOLT, FLANGE, 10X41	1		
4	90304-KGH-901	NUT, U, 10MM	1		

F-34

REAR FENDER



K568F3400

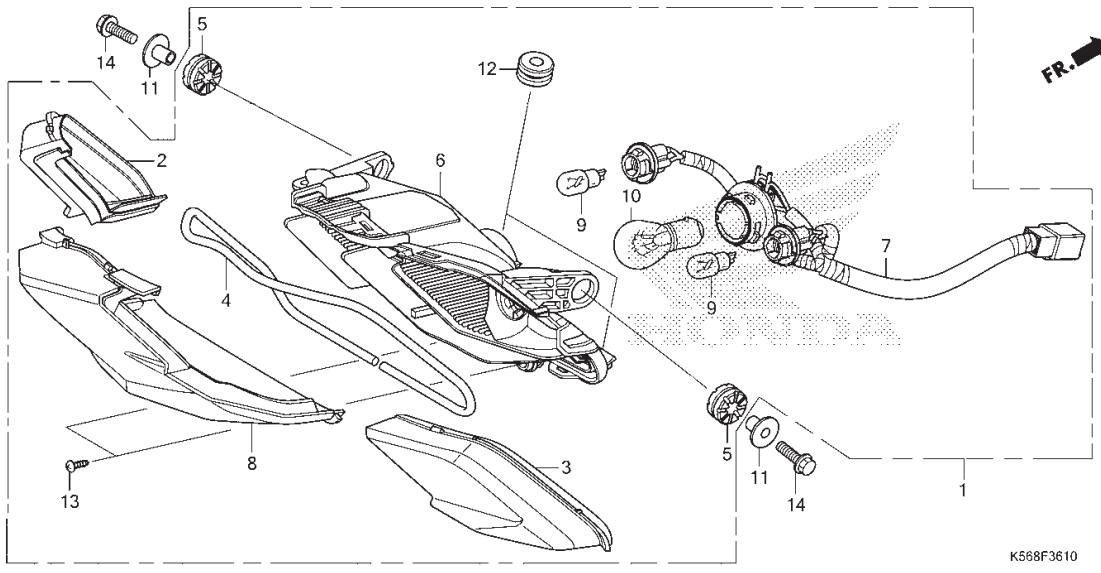
No. Ref.	L.O.N.	(Nomor ref. relatif) Deskripsi	F.R.T.
1	413102	FENDER, REAR..... CATATAN: Tidak termasuk No. Ref.3	0,3
2	413110	FENDER B, REAR..... CATATAN: Tidak termasuk No. Ref.3	0,3

No. Ref.	No. Part	Deskripsi	Jumlah <small>SONIC 150R (FS150R) 2015(G)</small>	No. Seri	Kode Parts Catalog
1	8010B-K56-N00	FENDER A, RR. ASSY.	1		
2	8015A-K56-N00	FENDER B, RR. ASSY.	1		
3	90677-KAN-T00	NUT, CLIP, 5MM	5		
4	91509-GE2-760	SCREW, PAN, 5X11.5	8		
5	95701-06010-08	BOLT, FLANGE, 6X10	2		



F-36-10

REAR COMBINATION LIGHT



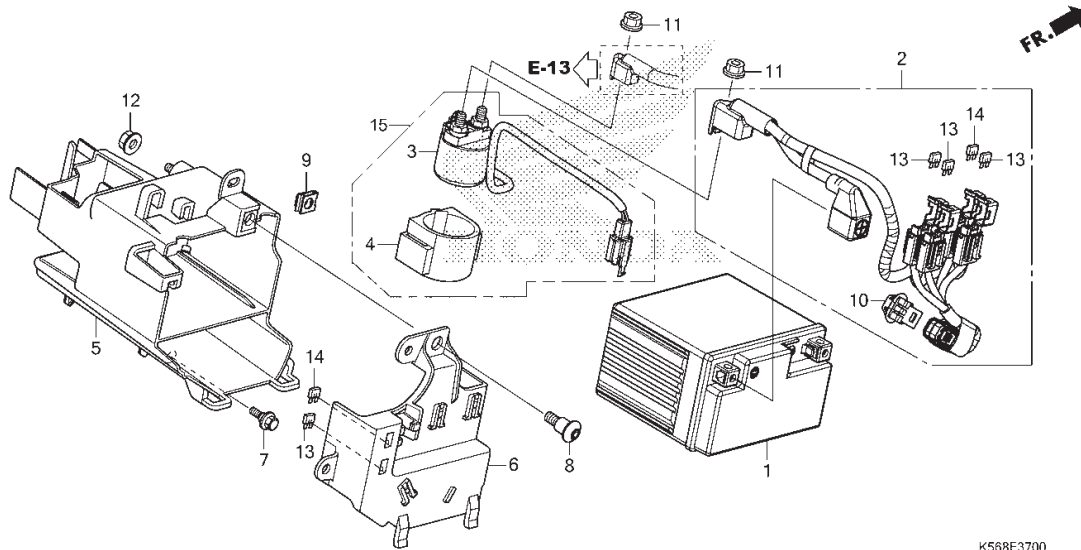
No. Ref.	L.O.N.	(Nomor ref. relatif) Deskripsi	F.R.T.
1	6161D5	TAILLIGHT UNIT.....	0,3
CATATAN: Tidak termasuk No. Ref. 5,12 (2,3,4,8)			
6	6161E2	BASE, TAILLIGHT.....	0,3
7	6161E7	SOCKET, TAILLIGHT.....	0,3
9	616139	BULB, WINKER :REAR.....	0,1
.CATATAN: Waktu sama untuk dua unit			
6161G0	6161G1	BULB, WINKER :UNTUK 1 KENDARAAN	0,2
		BULB, TAILLIGHT.....	0,1

3

No. Ref.	No. Part	Deskripsi	Jumlah SONIC 150R (FS150R) 2015(G)	No. Seri	Kode Parts Catalog
1	3370A-K56-N01	LIGHT ASSY., RR. COMBINATION (12V 18/5W)	1		
2	33703-K56-N01	LENS, L. RR. WINKER	1		
3	33704-K56-N01	LENS, R. RR. WINKER	1		
4	33705-K56-N01	PACKING A	1		
5	33705-KW7-900	RUBBER A, TAILLIGHT MOUNTING ...	2		
6	33707-K56-N01	BASE COMP., RR. COMBINATION	1		
7	33708-K56-N01	SOCKET COMP.	1		
8	33711-K56-N01	LENS COMP., TAILLIGHT	1		
9	34905-KSS-C02	BULB, WINKER(12V 10W) (AMBER) ...	2		
10	34906-K25-901	BULB, TAILLIGHT(12V 18/5W)	1		
11	61104-428-000	COLLAR, FR. FENDER	2		
12	83545-KCJ-690	RUBBER, SIDE COVER	2		
13	93901-24380	SCREW, TAPPING, 4X12	2		
14	95701-06022-08	BOLT, FLANGE, 6X22	2		

F-37

BATTERY



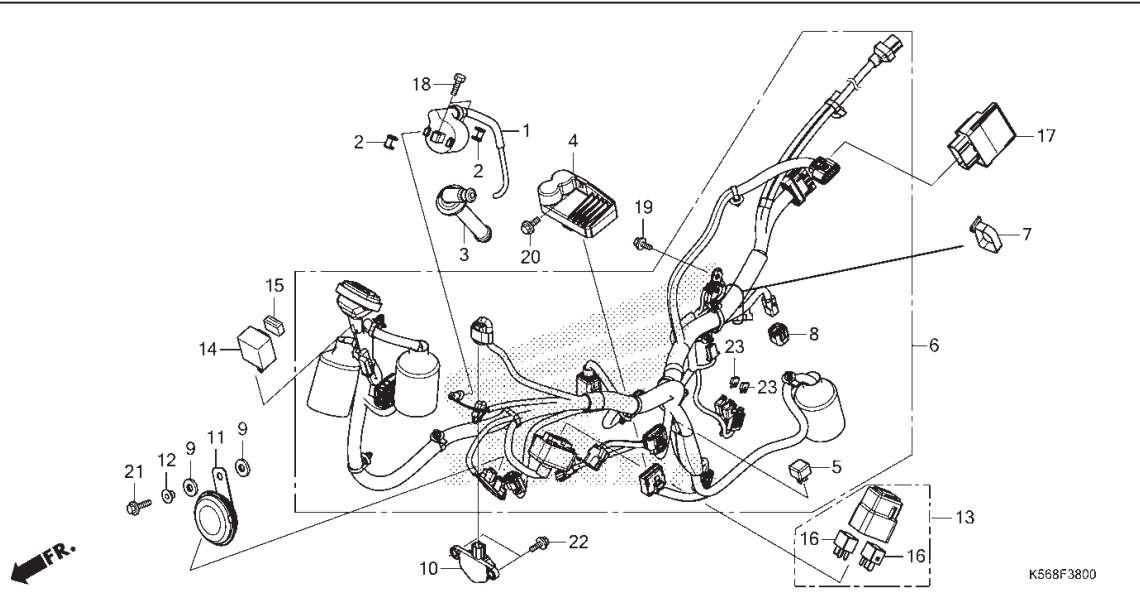
No. Ref.	L.O.N.	(Nomor ref. relatif) Deskripsi	F.R.T.
1	610100	BATTERY.....	0,2
2	6111F8	SUB HARNESS, BATTERY.....	0,6
3	615113	SWITCH, STARTER MAGNETIC.....	0,7
5	410185	BOX, BATTERY.....	0,7

No. Ref.	No. Part	Deskripsi	Jumlah SONIC 150R (FS150R) 2015(G)	No. Seri	Kode Parts Catalog
1	31500-KZR-601	BATTERY(YTZ6V)	1		
	31500-KZR-602	BATTERY(GTZ6V)	1		
2	32103-K56-N00	SUB HARNESS, BATTERY	1		
3	35850-K56-N01	SWITCH ASSY., STARTER MAGNETIC	1		
4	35856-K56-N00	RUBBER, SHOCK(MAGNETIC)	1		
5	50320-K56-N00	BOX COMP., BATTERY	1		
6	50330-K56-N00	COVER ASSY., BATTERY	1		
7	90116-KVB-900	BOLT, FLANGE, 6MM	1		
8	90132-K45-N00	SCREW, PAN, 6X17	1		
9	90305-GK8-000	NUT, CLIP, 6MM	1		
10	91565-S0X-003	CLIP, COUPLER(DARK GREEN)	1		
11	94050-0600	NUT, FLANGE, 6MM	2		
12	94050-06081	NUT, FLANGE, 6MM	1		
13	98200-41001	FUSE, MINI(10A)	4		
14	98200-42000	FUSE, MINI(20A)	2		
15	35860-K56-N00	SET, START MAG	1		



F-38

WIRE HARNESS



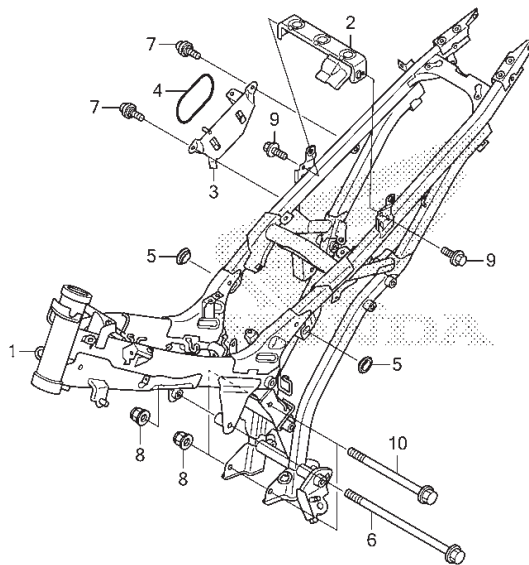
No. Ref.	L.O.N.	(Nomor ref. relatif) Deskripsi	F.R.T.
1	614105	COIL, IGNITION.....	0,7
3	6141E3	CAP, NOISE SUPPRESSOR.....	0,6
4	6131B2	RECTIFIER, REGULATE.....	0,9
5	6131B3	RECTIFIER, SILICON.....	0,7
6	611100	HARNESS, WIRE.....	1,3
10	617125	SENSOR, BANK ANGLE.....	0,3
11	616169	HORN.....	0,3
14	6111C3	RELAY, WINKER.....	0,3
16	6111D9	RELAY, FAN CONTROL.....	0,5
	6111V3	RELAY, LIGHTING CUT.....	0,5
17	618135	ENGINE CONTROL MODULE(ECM).....	0,4

3

No. Ref.	No. Part	Deskripsi	Jumlah SONIC 160R (FS160R) 2015(G)	No. Seri	Kode Parts Catalog
1	30510-K56-N01	COIL ASSY., IGNITION	1		
2	30520-GFM-901	SPACER, IGNITION COIL	2		
3	30700-K56-N01	CAP ASSY., NOISE SUPPRESSOR	1		
4	31600-K56-N01	RECTIFIER COMP., REGULATOR	1		
5	31700-196-000	RECTIFIER COMP., SILICON	1		
6	32100-K56-N00	HARNESS, WIRE	1		
7	32161-404-000	BAND B1, WIRE	1		
8	32606-GEV-762	CAP, DUMMY (4P) (RED)	1		
9	33714-KL3-620	RUBBER, TAILLIGHT BRACKET	2		
10	35160-KVS-751	SENSOR ASSY., BANK ANGLE(M6) ...	1		
11	38110-K56-N01	HORN COMP.(HIGH)	1		
12	38117-KPH-880	COLLAR, HORN SETTING	1		
13	38200-K56-N00	SUSPENSION, RELAY CASE(2P)	1		
14	38301-KPH-881	RELAY COMP., WINKER	1		
15	38306-KK4-000	SUSPENSION, WINKER RELAY	1		
16	38501-KVZ-631	RELAY ASSY., POWER (MICRO ISO 4P)	2		
17	38770-K56-N01	PGM-FI UNIT	1		
18	92101-06020-4J	BOLT, HEX., 6X20	2		
19	95701-06010-00	BOLT, FLANGE, 6X10	1		
20	95701-06014-0	BOLT, FLANGE, 6X14	1		
21	95701-06018-07	BOLT, FLANGE, 6X18	1		
22	96001-06014-00	BOLT, FLANGE, 6X14	2		
23	98200-41001	FUSE, MINI (10A)	2		

F-39

FRAME BODY



K568F3900

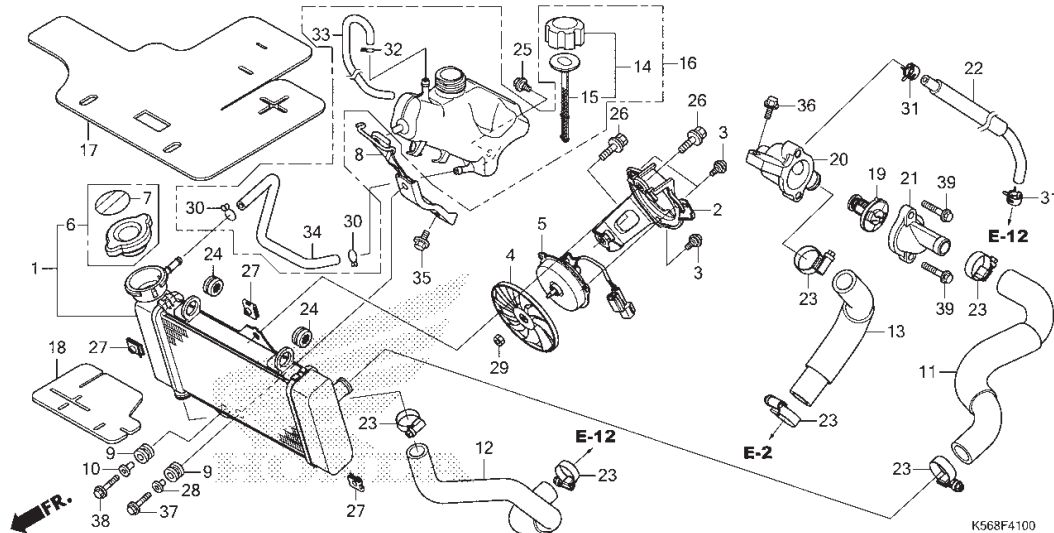
No. Ref.	L.O.N.	(Nomor ref. relatif) Deskripsi	F.R.T.
1	410100	BODY, FRAME..... .TERMASUK: Penurunan dan pemasangan mesin	5,6

No. Ref.	No. Part	Deskripsi	Jumlah SONIC 150R (FS150R) 2015(G)	No. Seri	Kode Parts Catalog
1	50100-K56-N00	BODY COMP., FRAME	1		
2	50195-K56-N00	BRACKET, SEAT	1		
3	64800-K56-N00	TRAY, PGM-FI UNIT	1		
4	80123-KCC-870	BAND, TOOL	1		
5	83551-GE2-000	GROMMET, AIR CLEANER CASE	2		
6	90101-K28-910	BOLT, FLANGE, 10X155	1		
7	91509-GE2-760	SCREW, PAN, 5X11.5	2		
8	94050-10001	NUT, FLANGE, 10MM	3		
9	95701-06010-00	BOLT, FLANGE, 6X10	2		
10	95701-10115-00	BOLT, FLANGE, 10X115	2		



F-41

RADIATOR



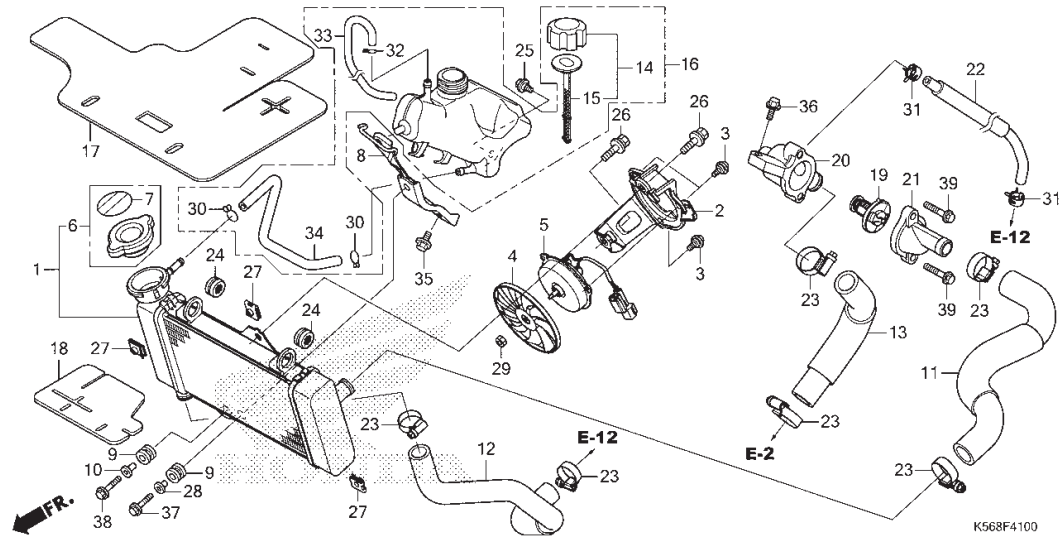
No. Ref.	L.O.N.	(Nomor ref. relatif) Deskripsi	F.R.T.
1	1151C3	RADIATOR.....	0,8
2	115125	SHROUD, RADIATOR.....	0,8
4	1151A6	FAN, COOLING.....	0,8
5	1151A7	MOTOR, FAN.....	0,9
6	1151B8	CAP, RADIATOR.....	0,2
11	115103	HOSE, RADIATOR :UPPER.....	0,7
12	115104	HOSE, RADIATOR :LOWER.....	0,7
13	1141C8	HOSE, THERMOBODY.....	0,7
16	115110	TANK, RADIATOR RESERVE.....	0,6
CATATAN: Tidak termasuk No.Ref. 14,15,30,32,33,34			
19	114116	THERMOSTAT.....	0,6
20	114117	CASE, THERMOSTAT.....	0,5
21	1141B3	COVER, THERMOSTAT.....	0,5
22	1141P7	TUBE, THERMOSTAT CASE.....	0,7
34	1151E5	TUBE, RADIATOR RESERVE TANK....	0,6

3

No. Ref.	No. Part	Deskripsi	Jumlah SONIC 150R (FS150R) 2015(G)	No. Seri	Kode Parts Catalog
1	19010-K56-N01	RADIATOR COMP.	1		
2	19015-K56-N01	SHROUD COMP.	1		
3	19016-KEA-003	SCREW, PAN, 4X8.5	3		
4	19020-KPP-T02	FAN COMP., COOLING	1		
5	19030-K56-N01	MOTOR COMP., FAN	1		
6	19037-KVB-903	CAP COMP., RADIATOR	1		
7	19046-KVB-902	LABEL, RADIATOR CAP	1		
8	19050-K56-N00	STAY, RADIATOR LOWER	1		
9	19051-KGB-611	RUBBER, RADIATOR MOUNTING	2		
10	19052-MEG-H10	COLLAR, RADIATOR MOUNTING	1		
11	19061-K56-N00	HOSE, RADIATOR INLET	1		
12	19062-K56-N00	HOSE, RADIATOR OUTLET	1		
13	19063-K56-N00	HOSE, HEAD OUTLET	1		
14	19105-K56-N00	CAP ASSY., RESERVE TANK	1		
15	19106-K56-N00	PACKING ASSY., RESERVE TANK	1		
16	1911A-K56-N00	TANK ASSY., RADIATOR RESERVE ...	1		
17	19125-K56-N00	RUBBER, HEAT GUARD	1		
18	19127-K56-N00	RUBBER, RADIATOR LOWER	1		
19	19300-K56-N01	THERMOSTAT	1		
20	19311-K56-N00	CASE COMP., THERMOSTAT	1		
21	19315-KGH-901	COVER, THERMOSTAT	1		
22	19320-K56-N00	TUBE, BYPASS	1		
23	19505-K45-N00	CLAMP, WATER HOSE	6		

F-41

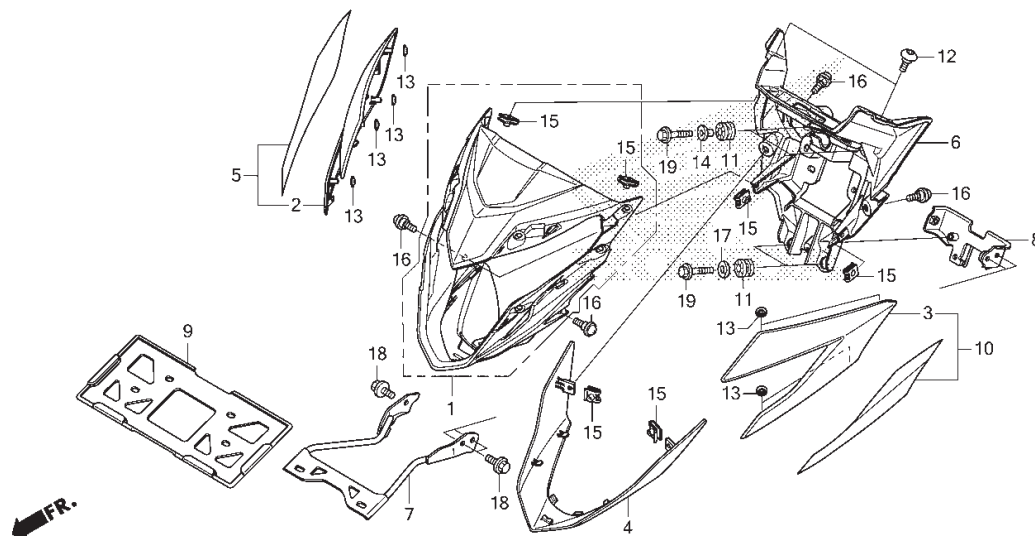
RADIATOR



No. Ref.	No. Part	Deskripsi	Jumlah SONIC 150R (FS150R) 2015(G)	No. Seri	Kode Parts Catalog
24	61304-415-000	RUBBER, HEADLIGHT CASE MOUNTING	2		
25	90116-KVB-900	BOLT, FLANGE, 6MM	1		
26	90120-KCR-003	BOLT-WASHER, 6X16	2		
27	90201-KPR-901	NUT, CLIP, 6MM	3		
28	90501-GR2-000	COLLAR, 6.2X11	1		
29	94001-03000-0S	NUT, HEX., 3MM	1		
30	95002-02100	CLIP, TUBE(B10)	2		
31	95002-41050-09	CLAMP, TUBE(D10.5)	2		
32	95002-50000	CLIP, TUBE(C9)	1		
33	95005-50490-30	TUBE, 5X490(95005-50001-30M)	1		
34	95005-55320-20	TUBE, 5.3X320(95005-55001-10M)	1		
35	95701-06014-0	BOLT, FLANGE, 6X14	1		
36	95701-06016-00	BOLT, FLANGE, 6X16	1		
37	95701-06022-01	BOLT, FLANGE, 6X22	1		
38	95701-06025-00	BOLT, FLANGE, 6X25	1		
39	96001-06025-00	BOLT, FLANGE, 6X25	2		

F-43

FRONT COWL



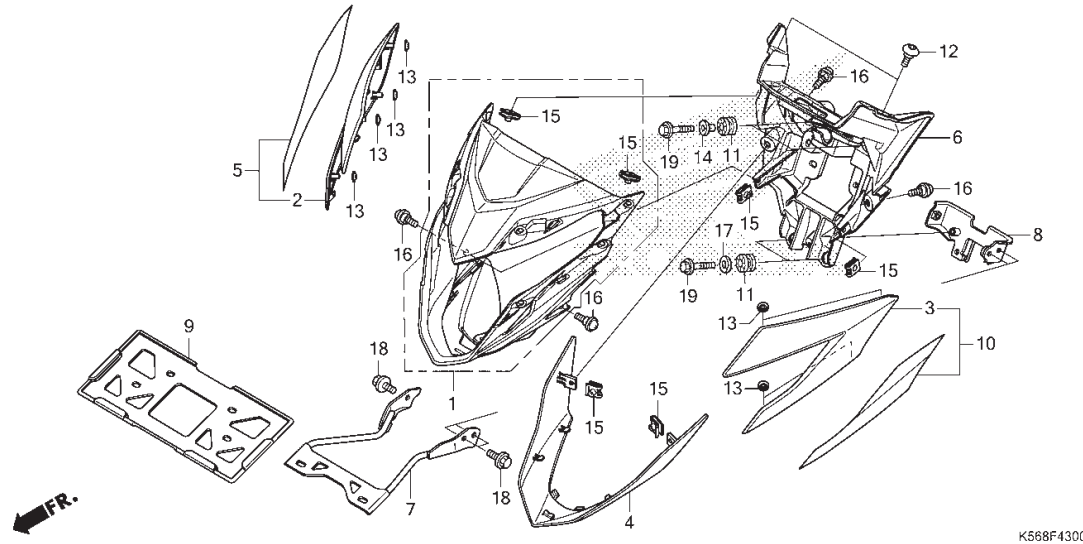
No. Ref.	L.O.N.	(Nomor ref. relatif) Deskripsi	F.R.T.
1	4111L3	COWL, FRONT CENTER.....	0,5
CATATAN: Tidak termasuk No. Ref. 15			
4	4131FX	COVER, HEADLIGHT :LOWER.....	0,1
5		(2)	
	4111L5	COWL, FRONT :RIGHT.....	0,4
6	413135	COVER, HEADLIGHT.....	0,4
10		(3)	
	4111L4	COWL, FRONT :LEFT.....	0,4
	4111L6	COWL, FRONT :KEDUA-DUANYA.....	0,5

3

No. Ref.	No. Part	Deskripsi	Jumlah SONIC 150R (FS150R) 2015(G)	No. Seri	Kode Parts Catalog
1	6130B-K56-N00	COWL ASSY., FR. CENTER(WL)	1		
2	61302-K56-N00ZB	COWL, R. FR. SIDE			
	R258WINNING RED	1	STANDARD
	61302-K56-N00ZC	*RP195* SPACE MAGENTA METALLIC	1	STANDARD
	61302-K56-N00ZD	*NH196*ROSS WHITE	1	STANDARD
	61302-K56-N00ZE	*NH1*BLACK	1	STANDARD
3	61303-K56-N00ZB	COWL, L. FR. SIDE			
	R258WINNING RED	1	STANDARD
	61303-K56-N00ZC	*RP195* SPACE MAGENTA METALLIC	1	STANDARD
	61303-K56-N00ZD	*NH196*ROSS WHITE	1	STANDARD
	61303-K56-N00ZE	*NH1*BLACK	1	STANDARD
4	61304-K56-N00ZD	COWL, FR. UNDER			
	NH196ROSS WHITE	1	STANDARD
	61304-K56-N00ZA	*R258*WINNING RED	1	STANDARD
	61304-K56-N00ZB	*RP195* SPACE MAGENTA METALLIC	1	STANDARD
	61304-K56-N00ZC	*NH255M* SHIMMER SILVER METALLIC	1	STANDARD
5	61302-K56-NOONOR	COWL, R. FR. SIDE(WL)			
	YR271NITRIC ORANGE	1	REPSOL
6	6131B-K56-N00	COVER ASSY., HEADLIGHT RR.	1		
7	61313-K56-N00	STAY, FR. NUMBER PLATE	1		
8	61314-K56-N00	BRACKET, NUMBER PLATE	1		
9	61316-KCJ-661	GUARD, NUMBER PLATE	1		
10	61303-K56-NOONOR	COWL, L. FR. SIDE(WL)			
	YR271NITRIC ORANGE	1	REPSOL
11	64615-KR1-860	RUBBER, LOWER COWL MOUNTING	4		

F-43

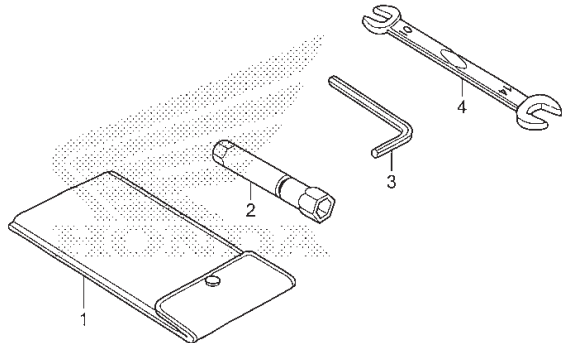
FRONT COWL



No. Ref.	No. Part	Deskripsi	Jumlah SONIC 150R (FS150R) 2015(G)	No. Seri	Kode Parts Catalog
12	90134-KPP-T01	SCREW, PAN, 5X14	2		
13	90301-K12-900	NUT, PUSH, 6MM	8		
14	90310-KWS-900	COLLAR, FR. COWL	2		
15	90677-KAN-T00	NUT, CLIP, 5MM	6		
16	91509-GE2-760	SCREW, PAN, 5X11.5	4		
17	94103-06000	WASHER, PLAIN, 6MM	2		
18	95701-06010-00	BOLT, FLANGE, 6X10	3		
19	95701-06022-08	BOLT, FLANGE, 6X22	4		

F-48

TOOLS



K568F4800

No. Ref.	L.O.N.	(Nomor ref. relatif) Deskripsi	F.R.T.
----------	--------	--------------------------------	--------

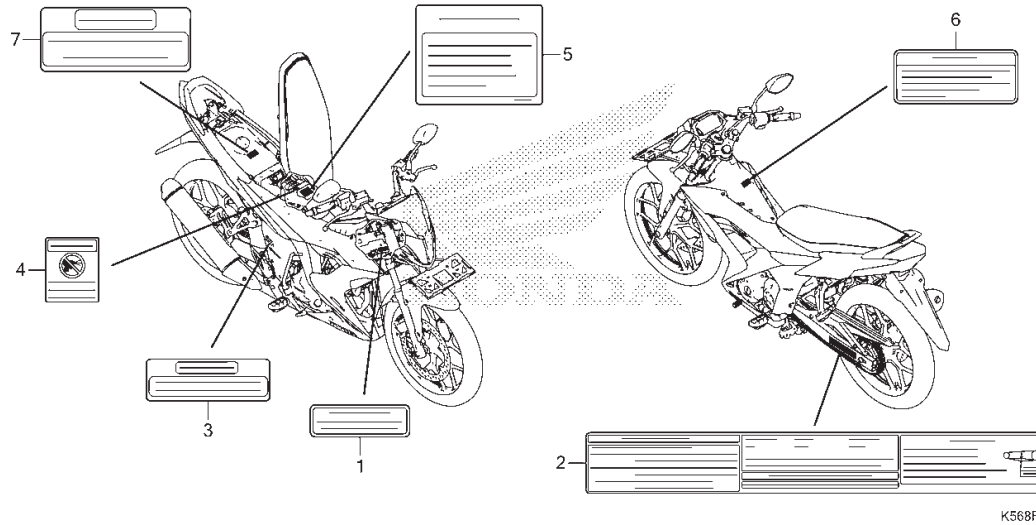
TIDAK ADA INFORMASI

No. Ref.	No. Part	Deskripsi	Jumlah SONIC 150R (FS150R) 2015(G)	No. Seri	Kode Parts Catalog
1	83642-171-001	BAG, OWNERS MANUAL	1		
2	89216-KPP-900	WRENCH, SPARK PLUG	1		
3	89221-429-000	WRENCH, HEX., 5MM	1		
4	99001-10140	SPANNER, 10X14	1		

3

F-49

CAUTION LABEL



K568F4900

No. Ref.	L.O.N.	(Nomor ref. relatif) Deskripsi	F.R.T.
----------	--------	-----------------------------------	--------

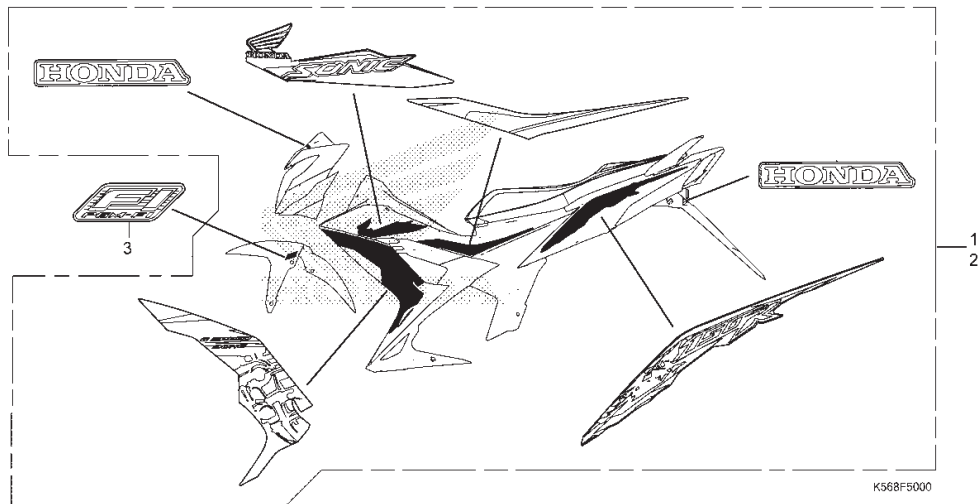
TIDAK ADA INFORMASI

No. Ref.	No. Part	Deskripsi	Jumlah SONIC 150R (FS150R) 2015(G)	No. Seri	Kode Parts Catalog
1	87503-KVB-930	LABEL, COOLANT INFORMATION	1		
2	87505-K56-N00	LABEL, TIRE & DRIVE CHAIN	1		
3	87506-KPH-880	MARK, BATTERY CAUTION	1		
4	87509-KWW-A40	LABEL, AIR CLEANER ELEMENT NOTICE	1		
5	87517-K56-N00	LABEL, AIR INTAKE NOTICE	1		
6	87560-KVB-930	LABEL, DRIVE CAUTION	1		
7	87586-KTM-780	LABEL, FUEL CAUTION	1		



F-50

MARK/STRIPE(FS150R-STANDARD)



No. Ref.	L.O.N.	(Nomor ref. relatif) Deskripsi	F.R.T.
----------	--------	-----------------------------------	--------

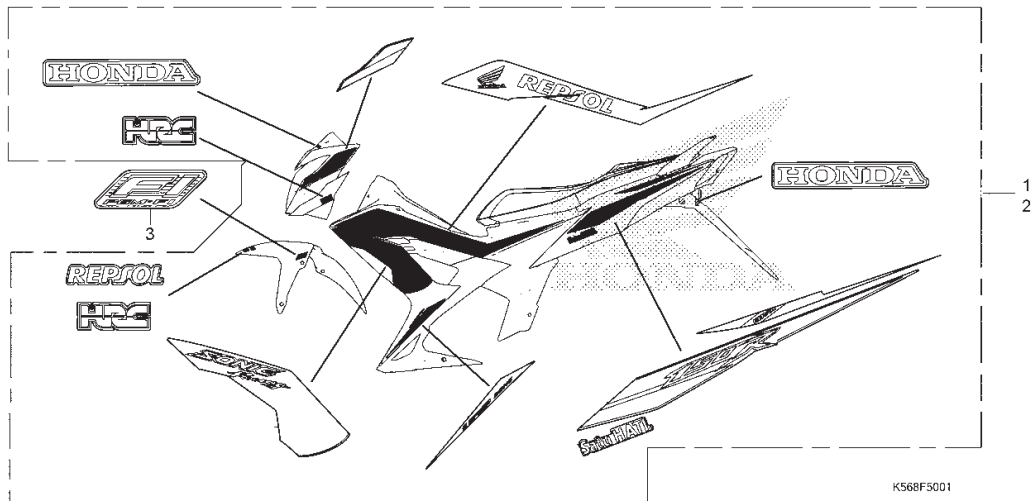
TIDAK ADA INFORMASI

No. Ref.	No. Part	Deskripsi	Jumlah SONIC 150R (FS150R) 2015(G)	No. Seri	Kode Parts Catalog
1	871X0-K56-N00ZAR	STRIPE SET, R.			
		BLACK	1	STANDARD
	871X0-K56-N00ZBR	WHITE	1	STANDARD
	871X0-K56-N00ZCR	RED	1	STANDARD
2	871X0-K56-N00ZDR	PINK	1	STANDARD
	871X0-K56-N00ZAL	STRIPE SET, L.			
		BLACK	1	STANDARD
	871X0-K56-N00ZBL	WHITE	1	STANDARD
3	871X0-K56-N00ZCL	RED	1	STANDARD
	871X0-K56-N00ZDL	PINK	1	STANDARD
	86531-KYZ-710ZA	MARK (FI)	1	STANDARD

3

F-50-1

MARK/STRIPE(FS150R-REPSOL)



No. Ref. L.O.N. (Nomor ref. relatif) Deskripsi F.R.T.

TIDAK ADA INFORMASI

No. Ref.	No. Part	Deskripsi	Jumlah SONIC 150R (FS150R) 2015(G)	No. Seri	Kode Parts Catalog
1	871X1-K56-N20ZAR	STRIPE SET, R. ORANGE	1	REPSOL
2	871X0-K56-N20ZAL	STRIPE SET, L. ORANGE	1	REPSOL
3	86531-KYZ-710ZA	MARK (FI)	1	REPSOL



INDEKS NOMOR PART

Nomor Part	No. Blok	Ref	Nomor Part	No. Blok	Ref	Nomor Part	No. Blok	Ref	Nomor Part	No. Blok	Ref
90114-KPH-700	F-24	16	90435-HB3-000	E-19	17	91052-K24-902	F-14-40	11	94001-03000-0S	F-41	29
90116-KV3-702	F-11	16	90439-KWZ-900	E-11	3	91052-K24-903	F-14-40	11	94001-06000-0S	F-32	13
90116-KVB-900	F-25	16	90441-KW7-931	E-17	28	91052-K24-904	F-14-40	11	94001-06070-0S	F-23	13
	F-37	7	90451-K56-N00	E-17	29	91053-K03-H02	F-19-40	19	94002-08000-0S	F-4	18
	F-41	25	90451-KGH-901	E-20	9	91053-K03-N41	F-19-40	19		F-15	22
90116-SP0-004	F-24	17	90452-KGH-901	E-17	30	91202-KSP-911	E-6	12		F-3	4
90120-KCR-003	F-41	26	90452-KRM-840	E-17	31	91204-MC7-003	E-6	13		F-30	15
90123-KW7-901	F-11	17	90454-KPH-900	E-17	32	91205-KF0-003	E-6	14	94030-08000	F-4	19
90128-KET-900	F-30	13	90462-KWW-740	E-8	15	91205-KF0-005	E-12	10	94050-0600	F-5	20
90131-KPH-881	F-12-10	15	90463-ML7-000	E-12	8	91209-KWC-901	E-19	19		F-21	17
90132-K45-N00	F-37	8	90483-K15-900	E-2	15	91212-422-007	F-15	20		F-37	11
90134-K33-D00	F-23-10	8	90501-GR2-000	F-24	21	91216-KGH-902	E-17	39	94050-06000	F-4	20
	F-24	18		F-41	28	91251-KGH-902	F-19-40	20	94050-06081	F-37	12
90133-K56-N00	F-10	3	90502-K56-N00	F-32	12	91251-KPH-881	F-19-40	20	94050-08000	F-27	11
90134-KPP-T01	F-24	19	90503-KSP-900	F-7	15	91251-KPH-901	F-14-40	12	94050-10001	F-39	8
	F-43	12	90505-KRM-860	F-29	15	91256-166-003	F-11	20	94050-12001	E-11	4
90140-KZZ-901	F-15	17	90514-K45-N00	F-23-10	13	91301-GGL-J02	E-23	14	94101-06000	F-30	16
90145-GAZ-981	F-5	15	90521-028-000	F-31	8	91301-K56-N00	E-2	17	94103-0570	F-2	8
	F-15	18	90543-MV9-671	E-1	4	91301-KV7-671	E-2	18	94103-06000	F-43	17
90164-KZL-A00	F-7	13	90544-283-000	F-11	18	91306-MG3-001	E-4	9	94103-08000	F-27	12
90182-K56-N00	F-33	3	90545-300-000	F-5	16	91307-035-005	E-6	15	94103-10001	F-30	17
90201-KPR-901	F-41	27		F-15	19	91307-PLC-004	E-2	19	94103-12000	F-19-40	22
90202-KGB-611	E-2	13	90601-KAF-004	F-29	16	91309-425-004	E-13	10	94201-16150	F-30	18
90202-KRM-840	E-8	12	90601-KRM-840	E-17	33	91320-MB0-000	E-13	11	94201-20121	F-29	17
90301-K03-N30	F-10	4	90601-PV3-004	F-24	22	91322-K56-N01	E-6	16	94201-20150	F-15	23
90301-K12-900	F-43	13	90605-KVS-900	E-17	34	91323-K56-N00	E-10	8	94201-30251	F-31	9
90302-KBP-900	F-32	10	90608-072-001	E-12	9	91356-KWV-000	E-10	9	94301-08141	E-2	21
90302-KGH-900	F-32	11	90651-KW7-900	F-11	19	91509-GE2-760	F-23-10	10	94301-10120	E-2	21
90304-KGH-901	F-19-40	15	90651-MA5-672	F-5	17		F-24	24		E-5	3
	F-31	7	90677-KAN-T00	F-23-10	9		F-34	4	94510-28000	E-16	18
	F-33	4		F-24	23		F-39	7	94520-12000	E-15	14
	F-27	10		F-34	3		F-43	16	94520-22000	E-6	17
90304-KPH-701	F-7	14		F-43	15	91565-SOX-003	F-37	10	94540-06018	E-14	6
90304-KSP-901	F-24	20	90701-HC4-000	E-15	12	92101-06012-07	F-30	14	95002-02100	F-41	30
90305-GK8-000	F-37	9	90702-HC4-001	E-6	11	92101-06020-4J	F-38	18	95002-41050-09	F-41	31
	F-19-40	16	90702-KFM-901	E-10	7	92800-12000	E-15	13	95002-41200-08	F-25	19
90306-KGH-901	F-14-40	10		E-14	4	92900-08025-OE	E-2	20	95002-50000	F-41	32
90306-KGH-902	F-43	14	90702-KRM-840	E-2	16	92915-10028-OE	F-19-40	21	95003-23030-31	F-25	20
90310-KWS-900	F-4	16	90741-KFB-001	E-16	13	93301-05012-0J	E-14	5	95005-50180-30	E-6	18
90321-MR8-001	E-17	21	90741-KGH-900	E-16	14	93600-04012-1G	F-5	18	95005-50490-30	F-41	33
90401-K56-N00	E-16	11	90753-051-003	F-19-40	17	93891-04010-18	E-23	15	95005-55320-20	F-41	34
90401-KPP-900	E-17	22	90753-051-005	F-19-40	17	93891-04016-18	E-23	16	95014-72302	F-31	10
90401-KTY-D30	E-17	23	91001-KPP-901	E-16	15	93892-05020-07	F-4	17	95015-54002	F-15	24
90401-KVK-900	E-8	13	91003-KPP-931	E-16	16	93893-04012-17	F-5	19	95015-83000	F-30	19
90401-KY4-902	E-17	24	91004-K56-N01	E-17	35	93893-04012-17	F-15	21	95701-06010-00	F-23	14
90402-K56-N00	E-16	12	91005-K56-N01	E-17	36	93901-24380	F-36-10	13		F-30	20
90402-KRM-840	E-17	25	91006-K56-N01	E-17	37	93903-22520	F-2	6		F-38	19
90402-KVK-900	E-19	16	91006-K56-N02	E-17	37	93903-24310	F-24	25		F-39	9
90402-KW7-901	E-15	10	91007-KE1-003	E-8	16	93903-25210	F-23-10	12		F-43	18
90403-KPP-900	E-15	11	91008-K56-N01	E-16	17		F-24	26	95701-06010-08	F-34	5
90407-259-000	E-17	26	91009-K31-901	E-19	18	93903-25480	F-25	17	95701-06012-00	F-21	18
90412-187-001	E-17	27	91010-K56-N01	E-17	38	93903-25581	F-25	18		F-23	15
90412-K56-N00	E-2	14	91015-K56-N01	E-19	18	93904-25210	F-10	5	95701-06014-0	E-4	10
90418-KYJ-900	E-12	7	91051-K35-V01	F-19-40	18	93913-24220	F-23-10	11		E-13	12
90423-KW6-900	E-8	14	91052-K03-N41	F-14-40	11	93913-25381	F-2	7		E-17	40



INDEKS NOMOR PART

Nomor Part	No. Blok	Ref	Nomor Part	No. Blok	Ref	Nomor Part	No. Blok	Ref	Nomor Part	No. Blok	Ref
95701-06014-0	F-38	20	96220-30086	E-19	21						
	F-41	35	96220-40238	E-12	13						
95701-06016-00	E-19	20		E-14	8						
	E-20	10	98200-41001	F-37	13						
	F-41	36		F-38	23						
95701-06018-01	F-15	25	98200-42000	F-37	14						
95701-06018-07	F-38	21	99001-10140	F-48	4						
95701-06022-01	E-23	17									
	F-21	19									
95701-06022-01	F-24	27									
	F-41	37									
95701-06022-08	F-36-10	14									
	F-43	19									
95701-06025-00	E-2	22									
	F-41	38									
95701-06028-0	E-13	13									
95701-06035-00	E-14	7									
	E-15	15									
95701-06065-00	E-15	16									
95701-06115-00	E-2	23									
95701-08016-01	F-27	13									
95701-08020-01	F-30	21									
95701-08022-00	F-23	16									
95701-08032-00	F-7	16									
95701-08035-00	F-9	8									
95701-08035-07	F-29	18									
95701-08040-01	F-7	17									
	F-27	14									
95701-08065-00	F-30	22									
95701-10030-00	F-30	23									
95701-10115-00	F-39	10									
96001-06012-01	F-24	28									
96001-06012-07	F-5	21									
96001-06014-00	E-4	11									
	F-15	26									
	F-38	22									
96001-06016-00	E-11	5									
	E-15	17									
96001-06018-00	E-15	18									
96001-06022-00	E-4	12									
	E-12	11									
96001-06022-07	F-4	21									
	F-5	22									
96001-06025-00	E-11	6									
	F-41	39									
96001-06025-08	F-10	6									
96001-06030-00	E-6	19									
	E-10	10									
96001-06035-00	E-10	11									
96001-06040-00	E-6	20									
	E-10	12									
	E-15	19									
96001-06065-00	E-12	12									
	E-15	20									
96211-08000	F-29	19									
	F-30	24									

INDEKS NAMA PART

Nama Part	No. Blok	Ref	Nama Part	No. Blok	Ref	Nama Part	No. Blok	Ref
	(A)							
ADJUSTER ASSY., COMP., CHAIN	F-32	4	BOLT, FLANGE, 10X46	F-33	2	BOLT, FLANGE, 6X30	E-10	10
ARM ASSY., KICK STARTER	F-29	8	BOLT, FLANGE, 6MM	F-25	16	BOLT, FLANGE, 6X32	E-2	11
ARM COMP., EX. VALVE ROCKER	E-3	5		F-32	9	BOLT, FLANGE, 6X35	E-10	11
ARM COMP., GEAR CHANGE	F-29	3		F-37	7		E-14	7
ARM COMP., IN. VALVE ROCKER	E-3	4	BOLT, FLANGE, 6X10	F-41	25		E-15	15
AXLE, FR. WHEEL	F-14-40	3		F-23	14	BOLT, FLANGE, 6X40	E-2	12
AXLE, RR. WHEEL	F-19-40	3		F-30	20		E-6	20
				F-34	5		E-10	12
				F-38	19		E-15	19
	(B)			F-39	9	BOLT, FLANGE, 6X6	E-4	8
BAG, OWNERS MANUAL	F-48	1		F-43	18	BOLT, FLANGE, 6X65	E-12	12
BALL ASSY., STEEL, #8X18	F-9	1	BOLT, FLANGE, 6X115	E-2	23		E-15	16
BALL, STEEL, #8(1/4)	F-29	19	BOLT, FLANGE, 6X12	F-5	21		E-15	20
				F-15	16	BOLT, FLANGE, 8X16	F-27	13
BAND B1, WIRE	F-38	7		F-21	18	BOLT, FLANGE, 8X20	F-30	21
BAND, AIR CLEANER CONNECTING	F-25	11		F-23	15	BOLT, FLANGE, 8X22	F-23	16
BAND, TOOL	F-39	4		F-24	28	BOLT, FLANGE, 8X32	F-7	16
BAR COMP., SIDE STAND	F-31	5	BOLT, FLANGE, 6X14	E-4	10	BOLT, FLANGE, 8X35	F-9	8
BAR, L. PILLION STEP	F-30	12		E-4	11		F-29	18
BAR, R. PILLION STEP	F-30	11		E-6	10	BOLT, FLANGE, 8X40	F-7	17
BASE COMP., RR. COMBINATION	F-36-10	6		E-13	12		F-27	14
BATTERY(GTZ6V)	F-37	1		E-17	40	BOLT, FLANGE, 8X65	F-30	22
BATTERY(YTZ6V)	F-37	1		F-15	26	BOLT, FORK	F-11	17
BEARING, R. RADIAL BALL	E-16	15		F-38	20	BOLT, HANDLE LEVER PIVOT	F-5	14
BEARING, RADIAL BALL(6201U L)	F-14-40	11		F-38	22	BOLT, HEAD COVER	E-1	3
	F-14-40	11		F-41	35	BOLT, HEX., 5X12	E-14	5
	F-14-40	11	BOLT, FLANGE, 6X16	E-11	5	BOLT, HEX., 6X12	F-30	14
	F-14-40	11		E-15	17	BOLT, HEX., 6X20	F-38	18
BEARING, RADIAL BALL(6301U L)	F-19-40	19		E-19	20	BOLT, L. STEERING HANDLE LEVER	F-4	15
	F-19-40	19		E-20	10	BOLT, OIL, 10X22	F-5	15
BEARING, RADIAL BALL, 6201	E-16	16		F-41	36		F-15	18
BEARING, RADIAL BALL, 6201U	E-17	36	BOLT, FLANGE, 6X18	E-15	18	BOLT, PIN	F-12-10	6
BEARING, RADIAL BALL, 6202U	E-17	35		F-15	25	BOLT, SEALING, 12MM	E-2	3
BEARING, RADIAL BALL, 6203 (FK)	E-17	35		F-38	21	BOLT, SEAT HINGE	F-23	12
	E-17	37	BOLT, FLANGE, 6X20	F-29	14	BOLT, SETTING	E-13	4
BEARING, RADIAL BALL, 6203UU	F-19-40	18	BOLT, FLANGE, 6X22	E-2	10	BOLT, SOCKET, 5X9	F-7	12
BEARING, RADIAL BALL, 6204	E-17	38		E-4	12	BOLT, SOCKET, 8MM	F-11	16
BEARING, RADIAL BALL, 6301	E-16	17		E-12	11	BOLT, SOCKET, 8X18	E-9	6
BEARING, RADIAL BALL, 6903	E-8	16		E-23	17	BOLT, SOCKET, 8X22	F-30	13
BEARING, RADIAL BALL, 6905 (NK)	E-19	18		F-4	21	BOLT, STUD, 10X28	F-19-40	21
	E-19	18		F-5	22	BOLT, STUD, 8X25	E-2	20
BODY COMP., FRAME	F-39	1		F-21	19	BOLT, SWINGARM PIVOT	F-32	6
BODY SET	E-23	8		F-24	27	BOLT, TORX, 8X25	F-12-10	15
BOLT, ADJUSTING	F-1	5		F-36-10	14	BOLT-WASHER, 6X16	F-41	26
BOLT, BRAKE DISK, 8X24	F-14-40	9		F-41	37	BOOT B	F-12-10	8
	F-19-40	14		F-43	19		F-17	13
BOLT, BREAK OFF	F-7	11	BOLT, FLANGE, 6X25	E-2	22	BOOT COMP.	F-5	5
BOLT, CLUTCH WIRE ADJUSTING	F-4	14		E-8	11		F-15	3
BOLT, CYLINDER STUD	E-15	9		E-11	6	BOOT, HANDLE LEVER	F-4	13
BOLT, DRAIN PLUG, 12MM	E-15	13		E-23	13	BOOT, PIN BUSH	F-17	12
BOLT, DRIVE SPROCKET FIXING	E-17	20		F-10	6		F-12-10	7
BOLT, FLANGE, 10X115	F-39	10		F-41	38	BOX COMP., BATTERY	F-37	5
BOLT, FLANGE, 10X155	F-39	6	BOLT, FLANGE, 6X25	F-41	39	BRACKET SUB ASSY., FR. CALIPER	F-12-10	14
BOLT, FLANGE, 10X30	F-30	23	BOLT, FLANGE, 6X28	E-13	13	BRACKET SUB ASSY., RR.	F-17	7
BOLT, FLANGE, 10X41	F-33	3	BOLT, FLANGE, 6X30	E-6	19	BRACKET, NUMBER PLATE	F-43	8



INDEKS NAMA PART

Nama Part	No. Blok	Ref	Nama Part	No. Blok	Ref	Nama Part	No. Blok	Ref
BRACKET, SEAT	F-39	2	CLAMP, WATER HOSE	F-41	23	COVER, L. UNDER	F-24	9
BRIDGE, FORK TOP	F-7	10	CLAMPER A, BRAKE HOSE	F-15	11	COVER, R. BODY(WL)	F-23-10	6
BULB, TAILLIGHT(12V 18/5W)	F-36-10	10	CLAMPER A, FR. BRAKE HOSE	F-5	3	COVER, R. SIDE UPPER(WL)	F-24	3
BULB, WINKER(12V 10W)(AMBER)	F-1	3	CLAMPER B, FR. BRAKE HOSE	F-5	4	COVER, R. UNDER	F-24	4
	F-36-10	9	CLIP B, BREATHER TUBE	F-25	1	COVER, SEAT CATCH	F-23	10
BUSH, 15MM	E-17	3	CLIP, AIR INTAKE DUCT PUSH	F-24	22	COVER, STARTER MOTOR TERMINAL	E-13	8
BUSH, 20MM	E-17	7	CLIP, BUMPER SEAL	F-24	17	COVER, THERMOSTAT	F-41	21
	E-17	15	CLIP, COUPLER(DARK GREEN)	F-37	10	COWL ASSY., FR. CENTER(WL)	F-43	1
BUSH, SPLINE, 20MM	E-17	10	CLIP, HEADLIGHT	F-1	4	COWL, FR. UNDER	F-43	4
			CLIP, KICK STARTER ARM	F-29	7	COWL, L. FR. SIDE	F-43	3
	(C)		CLIP, PISTON PIN, 14MM	E-16	5		F-43	10
CABLE COMP. A, THROTTLE	F-4	1	CLIP, SWITCH COVER	F-29	16	COWL, L. SIDE LOWER(WL)	F-24	7
CABLE COMP. B, THROTTLE	F-4	2	CLIP, TUBE(B10)	F-41	30	COWL, R. FR. SIDE	F-43	2
CABLE COMP., CLUTCH	F-4	3	CLIP, TUBE(C9)	F-41	32		F-43	5
CABLE, STARTER MOTOR & EARTH	E-13	7	COIL ASSY., IGNITION	F-38	1	COWL, R. SIDE LOWER(WL)	F-24	2
CALIPER SUB ASSY., R. FR.	F-12-10	13	COLLAR, 6.2X11	F-24	21	CRANKCASE COMP., L.	E-15	2
CALIPER SUB ASSY., RR.	F-17	6		F-41	28	CRANKCASE COMP., R.	E-15	1
CAMSHAFT COMP., EX.	E-3	3	COLLAR, FR. AXLE DISTANCE	F-14-40	5	CRANKSHAFT COMP.	E-16	1
CAMSHAFT COMP., IN.	E-3	2	COLLAR, FR. COWL	F-43	14	CUP COMP., OIL	F-15	5
CAP ASSY., NOISE SUPPRESSOR	F-38	3	COLLAR, FR. FENDER	F-21	15	CUSHION ASSY., RR.	F-33	1
CAP ASSY., RESERVE TANK	F-41	14		F-36-10	11	CYLINDER COMP.	E-5	1
CAP COMP., RADIATOR	F-41	6	COLLAR, FR. WHEEL SIDE	F-14-40	4	CYLINDER SET, MASTER	F-5	12
CAP, 14MM	E-10	5	COLLAR, HORN SETTING	F-38	12	CYLINDER SUB ASSY., FR. BRAKE	F-5	6
CAP, 30MM	E-10	6	COLLAR, KICK SPRING	E-20	8	CYLINDER SUB ASSY., RR. BRAKE	F-15	4
CAP, BLEEDER	F-12-10	4	COLLAR, L. RR. WHEEL SIDE	F-19-40	5			
	F-17	10	COLLAR, MUFFLER MOUNTING	F-27	7		(D)	
CAP, CHANGE SWITCH CONTACT	E-19	13	COLLAR, RADIATOR MOUNTING	F-41	10	DAMPER, WHEEL	F-19-40	1
CAP, DUMMY(4P)(RED)	F-38	8	COLLAR, RR. AXLE DISTANCE	F-19-40	8	DIAPHRAGM	F-5	10
CAP, FUEL FILLER	F-21	11	COLLAR, RR. WHEEL SIDE	F-19-40	6		F-15	12
CAP, LOCK NUT	F-3	1	COLLAR, SPLINE, 17X20X11	E-17	13	DISK, CLUTCH FRICTION	E-8	4
CAP, MASTER CYLINDER	F-5	8	COLLAR, SPRING	F-11	3	DISK, FR. BRAKE	F-14-40	8
	F-15	7	COLLAR, STARTER REDUCTION	E-9	5	DISK, RR. BRAKE	F-19-40	13
CAP, SWINGARM END	F-32	5	COLLAR, WATER PASS, 13X8	E-6	1	DOWEL PIN, 10X12	E-2	21
CASE ASSY., UNDER	F-2	5	CONNECTOR, MASTER CYLINDER	F-15	2		E-5	3
CASE ASSY., UPPER	F-2	4	CONTACT ASSY., CHANGE SWITCH	E-15	7	DOWEL PIN, 8X12	E-10	7
CASE COMP., THERMOSTAT	F-41	20	COTTER, VALVE	E-3	13		E-14	4
CASE SUB ASSY., AIR CLEANER	F-25	6	COUNTERSHAFT	E-17	2		E-15	12
CASE, DRIVE CHAIN	F-32	1	COVER ASSY., BATTERY	F-37	6	DOWEL PIN, 8X14	E-2	16
CASE, L. FR. BOTTOM	F-11	15	COVER ASSY., HEADLIGHT RR.	F-43	6	DOWEL PIN, 8X16	E-6	11
CASE, R. FR. BOTTOM	F-11	7	COVER ASSY., L. SIDE	F-24	12	DRUM, GEARSHIFT	E-19	5
CATCH COMP., SEAT	F-23	7	COVER ASSY., R. SIDE	F-24	10	DUCT, INLET	F-25	8
CENTER, CLUTCH	E-8	3	COVER COMP., L. RR.	E-10	2	DUST SEAL	F-21	6
CHAIN, CAM(120L)	E-4	1	COVER COMP., R. CRANKCASE	E-6	2	DUST SEAL, 21X37X7	F-14-40	12
CHAIN, DRIVE(FSCM428H-118RB)	F-32	2	COVER COMP., WATER PUMP	E-12	3	DUST SEAL, 27X40X4.5(AR)	F-19-40	20
CHAIN, DRIVE(KMC428HG-118L)	F-32	2	COVER SUB ASSY., AIR CLEANER	F-25	7	DUST SEAL, 27X40X4.5(NO)	F-19-40	20
CIRCLIP	F-5	17	COVER, BATTERY SET	F-24	11	DUST SEAL, STEERING HEAD	F-9	5
	F-15	14	COVER, CHANGE PEDAL	F-29	5			
	E-17	33	COVER B, CHANGE PEDAL	F-29	20		(E)	
CIRCLIP, 17MM	E-16	18	COVER, CLUTCH SWITCH	F-4	5	ELEMENT COMP., AIR CLEANER	F-25	2
CIRCLIP, EXTERNAL, 28MM	E-15	14	COVER, COMBINATION LIGHT	F-23-10	4	EMBLEM, PRODUCT	F-24	15
CIRCLIP, INTERNAL, 12MM	E-6	17	COVER, COMBINATION LIGHT UPPER	F-23-10	2	END, STEERING HANDLE	F-7	8
CIRCLIP, INTERNAL, 22MM	F-15	8	COVER, CYLINDER HEAD	E-1	1	E-RING, 6MM	E-14	6
CLAMP, MASTER CYLINDER OIL	F-41	31	COVER, L. BODY(WL)	F-23-10	7		(F)	
CLAMP, TUBE(D10.5)	F-25	19	COVER, L. CRANKCASE	E-10	1	FAN COMP., COOLING	F-41	4
CLAMP, TUBE(D12)	F-25	15	COVER, L. SIDE UPPER(WL)	F-24	8			



INDEKS NAMA PART

Nama Part	No. Blok	Ref	Nama Part	No. Blok	Ref	Nama Part	No. Blok	Ref
FENDER A, FR.(WL)	F-10	1	GUARD, NUMBER PLATE	F-43	9	LENS COMP., TAILLIGHT	F-36-10	8
FENDER ASSY., A, RR.	F-34	1	GUARD, R. HEEL	F-30	2	LENS, L. RR. WINKER	F-36-10	2
FENDER ASSY., B, RR.	F-34	2	GUIDE A, CAM CHAIN	E-4	7	LENS, R. RR. WINKER	F-36-10	3
FENDER B, FR.	F-10	2	GUIDE B, CAM CHAIN	E-4	5	LEVER ASSY, HANDLE	F-4	11
FILTER SET	F-21	3	GUIDE, CLUTCH OUTER	E-8	2	LEVER COMP., CLUTCH	E-6	7
FLANGE FINAL DRIVEN	F-19-40	23	GUIDE, EX. VALVE(O.S.)	E-2	2	LEVER COMP., L. HANDLE	F-4	12
FLANGE SUB ASSY, DRIVEN	F-19-40	7				LEVER, R. STEERING HANDLE	F-5	13
FLYWHEEL COMP.	E-11	1		(H)		LIFTER ASSY., TENSIONER	E-4	4
FORK ASSY., L. FR.	F-11	14	HARNES, WIRE	F-38	6	LIGHT ASSY., HEAD	F-1	6
FORK ASSY., R. FR.	F-11	1	HEAD ASSY., CYLINDER	E-2	1	LIGHT ASSY., RR. COMBINATION	F-36-10	1
FORK, CENTER GEARSHIFT	E-19	2	HEADLIGHT UNIT	F-1	1			
FORK, L. GEARSHIFT	E-19	3	HINGE, SEAT	F-23	5		(M)	
FORK, R. GEARSHIFT	E-19	1	HOLDER SUB ASSY., ELEMENT	F-25	9	MAINSHAFT(12T)	E-17	1
FUEL UNIT	F-21	14	HOLDER, BRUSH	E-13	5	MARK (FI)	F-50	3
FUSE, MINI(10A)	F-37	13	HOLDER, L. MAIN STEP	F-30	5		F-50-1	3
	F-38	23	HOLDER, L. PILLION STEP	F-30	10	MARK, BATTERY CAUTION	F-49	3
FUSE, MINI(20A)	F-37	14	HOLDER, MASTER CYLINDER	F-4	8	METER ASSY., COMBINATION(KPH)	F-2	1
				F-5	9	METER COMP., LCD	F-2	2
	(G)		HOLDER, R. MAIN STEP	F-30	4	MIRROR ASSY., L. BACK	F-3	3
GASKET COMP., CYLINDER HEAD	E-1	2	HOLDER, R. PILLION STEP	F-30	9	MIRROR ASSY., R. BACK	F-3	2
GASKET, CYLINDER	E-5	2	HORN COMP.(HIGH)	F-38	11	MOTOR ASSY., STARTER	E-13	1
GASKET, CYLINDER HEAD	E-2	4	HOSE COMP., FR. BRAKE	F-5	2	MOTOR COMP., FAN	F-41	5
	E-2	4	HOSE COMP., FUEL FEED	F-21	13	MUFFLER COMP., EX.	F-27	3
GASKET, EX. PIPE	F-27	1	HOSE COMP., RR. BRAKE	F-15	1			
GASKET, L. CRANKCASE COVER	E-10	3	HOSE COMP., RR. BRAKE MASTER	F-15	6		(N)	
GASKET, R. CRANKCASE COVER	E-6	5	HOSE, HEAD OUTLET	F-41	13	NUT, CLIP, 5MM	F-23-10	9
GASKET, TENSIONER LIFTER	E-4	6	HOSE, RADIATOR INLET	F-41	11		F-24	23
GASKET, WATER PUMP	E-12	4	HOSE, RADIATOR OUTLET	F-41	12		F-34	3
GAUGE, OIL LEVEL	E-6	6					F-43	15
GEAR A, BALANCER DRIVEN(43T)	E-16	7		(I)		NUT, CLIP, 6MM	F-24	20
GEAR A, PRIMARY DRIVE(23T)	E-8	10	IMPELLER, WATER PUMP	E-12	1		F-37	9
GEAR B, BALANCER DRIVEN(43T)	E-16	7	INJECTOR ASSY., FUEL	E-23	10		F-41	27
GEAR B, PRIMARY DRIVE(23T)	E-8	10	INSULATOR, IN. PIPE	E-2	6	NUT, FIXING	F-4	16
GEAR C, BALANCER DRIVEN(43T)	E-16	7				NUT, FLANGE, 10MM	F-39	8
GEAR C, PRIMARY DRIVE(23T)	E-8	10		(J)		NUT, FLANGE, 12MM	E-11	4
GEAR COMP., STARTER DRIVEN	E-9	1	JOINT COMP., INJECTOR	E-23	12	NUT, FLANGE, 6MM	F-4	20
GEAR, COUNTERSHAFT FIFTH(25T)	E-17	14	JOINT, BRAKE ROD	F-15	15		F-5	20
GEAR, COUNTERSHAFT FIRST(37T)	E-17	4	JOINT, FR. CUSHION SPRING	F-11	4		F-21	17
GEAR, COUNTERSHAFT FOURTH(27T)	E-17	11	JOINT, WATER	E-2	7		F-37	11
GEAR, COUNTERSHAFT SECOND(33T)	E-17	6					F-37	12
GEAR, COUNTERSHAFT SIXTH(24T)	E-17	17		(K)		NUT, FLANGE, 8MM	E-2	13
GEAR, COUNTERSHAFT THIRD(30T)	E-17	9	KEY SET	F-7	1		F-27	11
GEAR, MAINSHAFT FIFTH(24T)	E-17	12	KEY, WOODRUFF, 4MM	E-16	13	NUT, HEX. CAP, 8MM	F-27	10
GEAR, MAINSHAFT SECOND(17T)	E-17	5		E-16	14	NUT, HEX., 10MM	F-3	4
GEAR, MAINSHAFT SIXTH(26T)	E-17	16	KICK STARTER ASSY.	E-20	11	NUT, HEX., 12MM	F-30	15
GEAR, MAINSHAFT THIRD & FOURTH	E-17	8				NUT, HEX., 3MM	F-41	29
GEAR, OIL PUMP DRIVEN(25T)	E-14	3				NUT, HEX., 6MM	F-23	13
GEAR, STARTER REDUCTION	E-9	3		(L)			F-32	13
GEAR, WATER PUMP DRIVEN(25T)	E-12	6	LABEL, AIR CLEANER ELEMENT NOTICE	F-49	4	NUT, HEX., 8MM	F-4	18
GRIP COMP., THROTTLE	F-4	9	LABEL, AIR INTAKE NOTICE	F-49	5		F-4	19
GRIP, L. HANDLE	F-4	10	LABEL, COOLANT INFORMATION	F-49	1	NUT, HEX., 8MM	F-15	22
GRIP, RR.	F-23	2	LABEL, DRIVE CAUTION	F-49	6	NUT, PUSH, 6MM	F-43	13
GROMMET, AIR CLEANER CASE	F-24	14	LABEL, FUEL CAUTION	F-49	7	NUT, SPECIAL FLANGE, 12MM	F-32	11
	F-39	5	LABEL, RADIATOR CAP	F-41	7	NUT, SPECIAL FLANGE, 14MM	E-8	12
GUARD, CHANGE SWITCH CORD	E-10	4	LABEL, TIRE & DRIVE CHAIN	F-49	2	NUT, SPECIAL, 6MM	F-10	4



INDEKS NAMA PART

Nama Part	No. Blok	Ref	Nama Part	No. Blok	Ref	Nama Part	No. Blok	Ref
NUT, SPECIAL, 6MM	F-32	10	PIN, HANGER	F-12-10	10	RELAY ASSY., POWER (MICRO ISO 4P)	F-38	16
NUT, STEERING STEM	F-7	14		F-17	8	RELAY COMP., WINKER	F-38	14
NUT, U, 10MM	F-19-40	15	PIN, PISTON	E-16	4	RESONATOR	F-25	14
	F-31	7	PIN, SHIFT RETURN SPRING	E-19	12	RETAINER	F-17	5
	F-33	4	PIN, SPLIT, 1.6X15	F-30	18	RETAINER, FUEL PUMP	F-21	5
NUT, U, 12MM	F-14-40	10	PIN, SPLIT, 2.0X12	F-29	17	RETAINER, VALVE SPRING	E-3	11
	F-19-40	16	PIN, SPLIT, 2.0X15	F-15	23	RING	E-13	6
NUT-WASHER, 6MM	E-13	9	PIN, SPLIT, 3.0X25	F-31	9	RING SET, PISTON(O.S. 0.25)	E-16	2
			PINION, KICK STARTER(22T)	E-20	1	RING SET, PISTON(O.S. 0.50)	E-16	2
	(O)		PIPE COMP., FR. FORK	F-11	5	RING SET, PISTON(STD.)	E-16	2
OIL PUMP ASSY.	E-14	2	PIPE, IN.	E-2	5	RING, OIL SEAL STOPPER	F-11	11
OIL SEAL, 12X18X4	E-6	12	PIPE, L. STEERING HANDLE	F-7	9	RING, PISTON	F-11	10
OIL SEAL, 12X20X5	E-6	14	PIPE, MAIN STAND PIVOT	F-31	2	RING, SEAL	E-23	11
	E-12	10	PIPE, R. STEERING HANDLE	F-7	7	RING, SNAP	F-11	19
OIL SEAL, 12X22X7	E-19	19	PIPE, SEAT	F-11	12	RING, STOPPER	F-12-10	5
OIL SEAL, 16X28X7	E-6	13	PISTON	F-12-10	12		F-17	11
OIL SEAL, 20X34X7	E-17	39		F-17	3	ROD COMP., PUSH	F-15	10
OIL SEAL, 26X37X6(AR)	F-19-40	17	PISTON SET, MASTER CYLINDER	F-15	9	ROD, CLUTCH LIFTER	E-8	9
	F-19-40	17	PISTON(O.S. 0.25)	E-16	3	ROD, TIE	F-29	4
O-RING	E-23	3	PISTON(O.S. 0.50)	E-16	3	ROLLER, 3X8.5	E-19	21
	E-23	4	PISTON(STD.)	E-16	3	ROLLER, 4X23.8	E-12	13
O-RING(P7)	F-21	2	PIVOT, SHIFT DRUM STOPPER ARM	E-19	15		E-14	8
O-RING, 1.5X9.5	E-4	9	PLATE A2, FIXING	E-17	19	ROTOR OIL PUMP INNER	E-14	9
O-RING, 12.8X1.8	E-6	16	PLATE COMP., SHIFT DRUM	E-19	6	ROTOR OIL PUMP OUTER	E-14	10
O-RING, 13.8X2.4	E-10	8	PLATE, BEARING HOLDER	E-17	28	RUBBER A, TAILLIGHT MOUNTING	F-36-10	5
O-RING, 14.8X1.9	E-2	18	PLATE, CLUTCH	E-8	5	RUBBER C, SEAT SETTING	F-23	6
O-RING, 14.8X2.4	F-15	20	PLATE, CLUTCH LIFTER	E-8	7	RUBBER, BALANCER DUMPER (TT)	E-16	8
O-RING, 16.8X2.4	F-11	20	PLATE, CLUTCH PRESSURE	E-8	6		E-16	8
O-RING, 18X3	E-6	15	PLATE, DIAPHRAGM	F-5	11	RUBBER, CUSHION	F-21	7
O-RING, 24.4X3.1	E-13	10		F-15	13	RUBBER, CUSHION COMBINATION LIGHT	F-23-10	5
O-RING, 30MM	E-10	9	PLATE, KICK STOPPER	E-20	2	RUBBER, FUEL TANK CUSHION	F-21	8
O-RING, 40.5X3	F-19-40	10	PLATE, PILLION STEP CLICK	F-30	8	RUBBER, GEAR CHANGE PEDAL	F-29	6
O-RING, 4X2	E-13	11	PLATE, R. COVER	E-6	3	RUBBER, HEADLIGHT CASE	F-41	24
O-RING, 6.3X2.2	E-23	14	PLATE, STEP LOWER	F-30	3	RUBBER, HEAT GUARD	F-41	17
O-RING, 9.5X1.9	E-2	19	PLATE, TENSIONER SETTING	E-4	3	RUBBER, LOWER COWL MOUNTING	F-24	13
O-RING, FUEL PUMP	F-21	10	PLUG, BEARING PUSH	E-15	3		F-43	11
O-RING, IN. PIPE	E-2	17	PLUG, BREATHER TUBE	F-25	12	RUBBER, MAIN STEP	F-30	6
O-RING, THROTTLE BODY	E-23	2	PLUG, PIN	F-17	14	RUBBER, METER SETTING	F-2	3
OUTER COMP., CLUTCH(75T)	E-8	1	PLUG, SPARK(MR9C-9N)(NG)	E-2	8	RUBBER, MOUNTING	E-1	4
OUTER COMP., STARTING CLUTCH	E-9	2	PLUG, SPARK(U27EPR-N9)(DS)	E-2	8	RUBBER, MUFFLER MOUNTING	F-27	6
			PROTECTOR	F-5	7	RUBBER, PROTECTOR MOUNTING	F-27	4
	(P)		PROTECTOR, MUFFLER	F-27	5	RUBBER, PROTECTOR PACKING	F-27	2
PACKING A	F-36-10	4	PUMP ASSY., FUEL	F-21	1	RUBBER, R. COVER	E-6	4
PACKING ASSY., RESERVE TANK	F-41	15				RUBBER, RADIATOR LOWER	F-41	18
PACKING, DRAIN COCK, 12.5X20	E-15	11		(R)		RUBBER, RADIATOR MOUNTING	F-41	9
PACKING, FUEL FILLER CAP	F-21	12	RACE, STEERING BOTTOM CONE	F-9	4	RUBBER, SHOCK(MAGNETIC)	F-37	4
PAD SET, FR. BRAKE	F-12-10	2	RACE, STEERING TOP BALL	F-9	2	RUBBER, SIDE COVER	F-36-10	12
PAD SET, RR.	F-17	1	RACE, STEERING TOP CONE	F-9	3	RUBBER, STAND STOPPER	F-31	4
PEDAL COMP., RR. BRAKE	F-29	12	RADIATOR COMP.	F-41	1	RUBBER, TAILLIGHT BRACKET	F-38	9
PEDAL, GEAR CHANGE	F-29	1	RATCHET, STARTER DRIVE	E-20	3	RUBBER, TAILLIGHT CUSHION	F-23-10	3
PGM-FI UNIT	F-38	17	RECEIVER, CLUTCH CABLE	E-6	9	RUBBER, TAILLIGHT MOUNTING	F-21	16
PIECE, OIL LOCK	F-11	9	RECTIFIER COMP., REGULATOR	F-38	4			
PIN C, PILLION STEP	F-30	19	RECTIFIER COMP., SILICON	F-38	5		(S)	
PIN D, JOINT	F-15	24	REFLECTOR, RR. REFLEX	F-23-10	1	SCREEN, OIL FILTER	E-15	5

INDEKS NAMA PART

Nama Part	No. Blok	Ref	Nama Part	No. Blok	Ref	Nama Part	No. Blok	Ref
SCREW, BLEEDER	F-17	9	SET ILLUST, COVER HEAD PIPE	F-24	1	SHIM, TAPPET(2.625)	E-3	14
SCREW, BLEEDER(NISSIN)	F-12-10	3	SET RING, 20MM	E-17	34	SHIM, TAPPET(2.650)	E-3	14
SCREW, FLAT, 4X12	F-5	18	SET, START MAG	F-37	15	SHIM, TAPPET(2.675)	E-3	14
SCREW, FLAT, 4X45	F-15	17	SHAFT ASSY., COUNTER	E-17	42	SHIM, TAPPET(2.700)	E-3	14
SCREW, PAN, 4X8.5	F-41	3	SHAFT ASSY., MAIN	E-17	41	SHIM, TAPPET(2.725)	E-3	14
SCREW, PAN, 5X11.5	F-23-10	10	SHAFT, GEARSHIFT FORK	E-19	4	SHIM, TAPPET(2.750)	E-3	14
	F-24	24	SHAFT, REDUCTION GEAR	E-9	4	SHIM, TAPPET(2.775)	E-3	14
	F-34	4	SHAFT, ROCKER ARM	E-3	6	SHIM, TAPPET(2.800)	E-3	14
	F-39	7	SHAFT, WATER PUMP	E-12	5	SHIM, TAPPET(2.825)	E-3	14
	F-43	16	SHIM, TAPPET(1.500)	E-3	14	SHIM, TAPPET(2.850)	E-3	14
SCREW, PAN, 5X14	F-24	19	SHIM, TAPPET(1.525)	E-3	14	SHIM, TAPPET(2.875)	E-3	14
	F-43	12	SHIM, TAPPET(1.550)	E-3	14	SHIM, TAPPET(2.900)	E-3	14
SCREW, PAN, 6X10	F-23-10	8	SHIM, TAPPET(1.575)	E-3	14	SHROUD COMP.	F-41	2
	F-24	18	SHIM, TAPPET(1.600)	E-3	14	SLEEVE, RR. WHEEL	F-19-40	4
SCREW, PAN, 6X12	F-27	9	SHIM, TAPPET(1.625)	E-3	14	SLIDER, CHAIN	F-32	7
SCREW, PAN, 6X14	F-10	3	SHIM, TAPPET(1.650)	E-3	14	SOCKET COMP.	F-36-10	7
SCREW, PAN, 6X17	F-37	8	SHIM, TAPPET(1.675)	E-3	14	SOCKET COMP., WINKER LIGHT	F-1	2
SCREW, SIDE STAND PIVOT	F-31	6	SHIM, TAPPET(1.700)	E-3	14	SPACER, IGNITION COIL	F-38	2
SCREW, SPECIAL, 5X11	F-24	16	SHIM, TAPPET(1.725)	E-3	14	SPACER, RR. CALIPER	F-32	12
SCREW, TAPPING, 3X20	F-2	6	SHIM, TAPPET(1.750)	E-3	14	SPANNER, 10X14	F-48	4
SCREW, TAPPING, 4X12	F-23-10	11	SHIM, TAPPET(1.775)	E-3	14	SPINDLE COMP., GEARSHIFT	E-19	9
	F-24	25	SHIM, TAPPET(1.800)	E-3	14	SPINDLE, KICK STARTER	E-20	5
	F-36-10	13	SHIM, TAPPET(1.825)	E-3	14	SPRING C, SIDE STAND	F-31	10
SCREW, TAPPING, 5X12	F-10	5	SHIM, TAPPET(1.850)	E-3	14	SPRING, BALANCER GEAR	E-16	9
	F-23-10	12	SHIM, TAPPET(1.875)	E-3	14	SPRING, BEARING PUSH	E-15	4
	F-24	26	SHIM, TAPPET(1.900)	E-3	14	SPRING, BRAKE PEDAL	F-29	13
SCREW, TAPPING, 5X14(PO)	F-2	7	SHIM, TAPPET(1.925)	E-3	14	SPRING, CARBON BRUSH	E-13	3
SCREW, TAPPING, 5X20	F-25	17	SHIM, TAPPET(1.950)	E-3	14	SPRING, CHANGE SWITCH CONTACT	E-19	14
SCREW, TAPPING, 5X25	F-25	18	SHIM, TAPPET(1.975)	E-3	14	SPRING, CLUTCH	E-8	8
SCREW, U-LOCK FLAT, 6X12	F-7	13	SHIM, TAPPET(2.000)	E-3	14	SPRING, CLUTCH LEVER	E-6	8
SCREW-WASHER, 4X10	E-23	15	SHIM, TAPPET(2.025)	E-3	14	SPRING, FR. FORK	F-11	2
SCREW-WASHER, 4X12	F-5	19	SHIM, TAPPET(2.050)	E-3	14	SPRING, GEARSHIFT ARM	E-19	10
	F-15	21	SHIM, TAPPET(2.075)	E-3	14	SPRING, GEARSHIFT DRUM STOPPER	E-19	8
SCREW-WASHER, 4X16	E-23	16	SHIM, TAPPET(2.100)	E-3	14	SPRING, GEARSHIFT RETURN	E-19	11
SCREW-WASHER, 5X20	F-4	17	SHIM, TAPPET(2.125)	E-3	14	SPRING, KICK RETURN	E-20	7
SCREW-WASHER, TORX(5X12)	E-23	5	SHIM, TAPPET(2.150)	E-3	14	SPRING, KICK STARTER	F-29	9
SEAL SET, FR. FORK	F-11	13	SHIM, TAPPET(2.175)	E-3	14	SPRING, KICK STARTER STOPPER	F-30	1
SEAL SET, PISTON	F-12-10	1	SHIM, TAPPET(2.200)	E-3	14	SPRING, LOCK KEY SETTING	F-23	3
	F-17	2	SHIM, TAPPET(2.225)	E-3	14	SPRING, MAIN STAND	F-31	3
SEAL, AIR CLEANER CASE	F-25	5	SHIM, TAPPET(2.250)	E-3	14	SPRING, PAD	F-12-10	9
SEAL, DUST	F-11	8	SHIM, TAPPET(2.275)	E-3	14		F-17	4
SEAL, ELEMENT	F-25	3	SHIM, TAPPET(2.300)	E-3	14	SPRING, RATCHET	E-20	4
	F-25	4	SHIM, TAPPET(2.325)	E-3	14	SPRING, REBOUND	F-11	6
SEAL, MECHANICAL	E-12	2	SHIM, TAPPET(2.350)	E-3	14	SPRING, SEAT LOCK	F-23	8
SEAL, VALVE STEM(AR)	E-3	1	SHIM, TAPPET(2.375)	E-3	14	SPRING, STOP SWITCH	F-29	11
	E-3	1	SHIM, TAPPET(2.400)	E-3	14	SPRING, THRUST	E-16	10
SEAT COMP., DOUBLE	F-23	4	SHIM, TAPPET(2.425)	E-3	14	SPRING, VALVE INNER	E-3	10
SEAT, RATCHET SPRING	E-20	6	SHIM, TAPPET(2.450)	E-3	14	SPRING, VALVE OUTER	E-3	9
SEAT, VALVE SPRING	E-3	12	SHIM, TAPPET(2.475)	E-3	14	SPROCKET COMP., FINAL DRIVEN(42T)	F-19-40	2
SENSOR ASSY., BANK ANGLE(M6)	F-38	10	SHIM, TAPPET(2.500)	E-3	14	SPROCKET, DRIVE(15T)	E-17	18
SENSOR ASSY., SPEED	E-15	8	SHIM, TAPPET(2.525)	E-3	14	STAND ASSY., COMP., MAIN	F-31	1
SENSOR ASSY., WATER TEMP	E-2	9	SHIM, TAPPET(2.550)	E-3	14	STATOR COMP.	E-11	2
SENSOR SET	E-23	1	SHIM, TAPPET(2.575)	E-3	14	STAY COMP., CABLE	E-15	6
SENSOR, OXYGEN	F-27	8	SHIM, TAPPET(2.600)	E-3	14	STAY, COMBINATION SWITCH	F-7	4



INDEKS NAMA PART

Nama Part	No. Blok	Ref	Nama Part	No. Blok	Ref	Nama Part	No. Blok	Ref
STAY, FR. NUMBER PLATE	F-43	7				WHEEL SUB ASSY., FR.	F-14-40	6
STAY, L. UNDER COVER	F-24	6				WHEEL SUB ASSY., RR.	F-19-40	9
STAY, R. UNDER COVER	F-24	5				WRENCH, HEX., 5MM	F-48	3
STAY, RADIATOR LOWER	F-41	8				WRENCH, SPARK PLUG	F-48	2
STAY, SEAT HINGE	F-23	1						
STAY, WIRE	E-23	6						
STEM, STEERING	F-9	6						
STEP ASSY., L. PILLION	F-30	26						
STEP ASSY., R. PILLION	F-30	25						
STEP COMP., CHANGE	F-30	7						
STOPPER COMP., GEARSHIFT DRUM	E-19	7						
STRIPE SET, L. BLACK	F-50	2						
STRIPE SET, L. ORANGE	F-50-1	2						
STRIPE SET, L. PINK	F-50	2						
STRIPE SET, L. RED	F-50	2						
STRIPE SET, L. WHITE	F-50	2						
STRIPE SET, R. BLACK	F-50	2						
STRIPE SET, R. ORANGE	F-50-1	1						
STRIPE SET, R. PINK	F-50	1						
STRIPE SET, R. RED	F-50	1						
STRIPE SET, R. WHITE	F-50	1						
SUB HARNESS, BATTERY	F-37	2						
SUSPENSION, RELAY CASE(2P)	F-38	13						
SUSPENSION, WINKER RELAY	F-38	15						
SWINGARM SUB ASSY., RR.	F-32	8						
SWITCH ASSY., FR. STOP	F-5	1						
SWITCH ASSY., RR. STOP	F-29	10						
SWITCH ASSY., STARTER	F-4	4						
SWITCH ASSY., STARTER MAGNETIC	F-37	3						
SWITCH ASSY., WINKER	F-4	6						
SWITCH COMP., FR. LEVER	F-4	7						
	(T)							
TANK ASSY., RADIATOR RESERVE	F-41	16						
TANK COMP., FUEL	F-21	9						
TENSIONER COMP., CAM CHAIN	E-4	2						
TERMINAL SET, BRUSH	E-13	2						
THERMOSTAT	F-41	19						
THREAD COMP., STEERING HEAD	F-9	7						
THROTTLE BODY ASSY.(GQ1LA A)	E-23	7						
TIRE, FR. (70/90-17M/C 38P)	F-14-40	7						
TIRE, RR. (80/90-17M/C 50P)	F-19-40	11						
TRAY, FUEL	F-21	4						
TRAY, PGM-FI UNIT	F-39	3						
TUBE ASSY., BREATHER	F-25	13						
TUBE, 5.3X320(95005-55001-10M)	F-41	34						
TUBE, 5X180(95005-50001-30M)	E-6	18						
TUBE, 5X490(95005-50001-30M)	F-41	33						
TUBE, AIR CLEANER CONNECTING	F-25	10						
TUBE, BYPASS	F-41	22						
TUBE, VINYL, 8X12X300	F-25	20						
	(V)							
			VALVE SET, IDLE AIR CONTROL	E-23	9			
			VALVE, EX.	E-3	8			
			VALVE, IN.	E-3	7			
			VALVE, RIM	F-14-40	2			
				F-19-40	12			
	(W)							
			WASHER, 12.2X17X1.5	E-2	14			
			WASHER, 12MM	E-12	9			
			WASHER, 12X24X2.3	E-11	3			
			WASHER, 14.1MM	E-8	15			
			WASHER, 15.5X22	F-29	15			
			WASHER, 17X22	F-31	8			
			WASHER, 20MM	E-8	14			
			WASHER, 25X20.2X1	E-17	32			
			WASHER, 28.1X36X1.8	E-16	12			
			WASHER, 28.2X45X1.0	E-16	11			
			WASHER, 3X11X1.0	E-15	10			
			WASHER, 6.1MM	E-19	17			
			WASHER, 7X13X1.2	E-12	7			
			WASHER, 8MM	E-2	15			
			WASHER, LOCK, 17MM	E-17	21			
			WASHER, LOCK, 20X19X1.0	E-17	23			
			WASHER, NYLON, 7MM	F-29	2			
			WASHER, OIL BOLT	F-5	16			
				F-15	19			
			WASHER, PLAIN, 10MM	F-30	17			
			WASHER, PLAIN, 12MM	F-19-40	22			
			WASHER, PLAIN, 17MM	E-8	13			
			WASHER, PLAIN, 5MM	F-2	8			
			WASHER, PLAIN, 6MM	F-30	16			
				F-43	17			
			WASHER, PLAIN, 8MM	F-27	12			
			WASHER, SEALING, 6.5MM	E-12	8			
			WASHER, SEAT LOCK	F-23	9			
			WASHER, SPECIAL, 12MM	E-17	30			
			WASHER, SPECIAL, 14MM	E-20	9			
			WASHER, SPECIAL, 15MM	E-17	27			
			WASHER, SPECIAL, 8MM	F-11	18			
			WASHER, SPLINE, 17MM	E-17	24			
			WASHER, SPLINE, 17X23X1.6	E-17	31			
			WASHER, SPLINE, 20MM	E-17	29			
			WASHER, STEERING STEM	F-7	15			
			WASHER, THRUST, 15MM	E-17	26			
			WASHER, THRUST, 17MM	E-17	22			
			WASHER, THRUST, 20X19X1.0	E-17	25			
			WASHER, THRUST, 6MM	E-19	16			
			WASHER, WAVE	F-12-10	11			
			WEIGHT COMP., BALANCER	E-16	6			
			WEIGHT, BALANCE(10G)	F-14-40	1			
			WEIGHT, BALANCE(20G)	F-14-40	1			
			WEIGHT, BALANCE(30G)	F-14-40	1			

PT Astra Honda Motor
TECHNICAL SERVICE DIVISION

Dipublikasikan oleh :
Honda Motor Co., Ltd.
Dicetak di Indonesia

ID.TMG.6200.2015.07.15