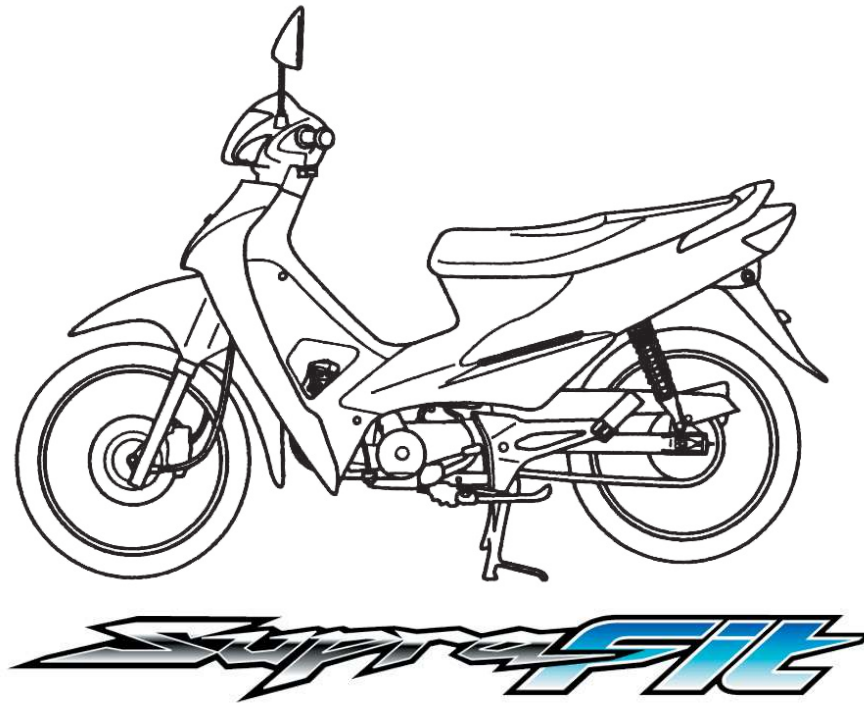


DAFTAR ISI



PETUNJUK PEMAKAIAN

1

KELOMPOK MESIN

2

KELOMPOK RANGKA

3

INDEKS PART NUMBER

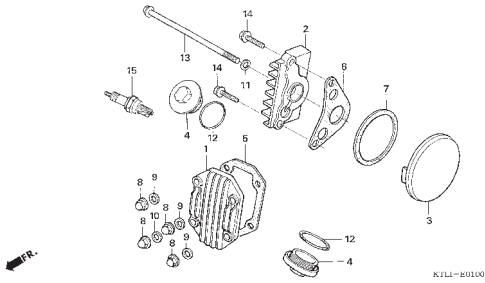
4

INDEKS DESCRIPTION

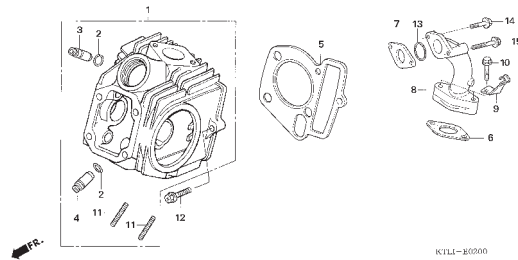
5

ENGINE GROUP

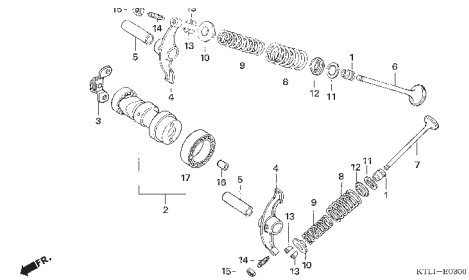
E-1 CYLINDER HEAD



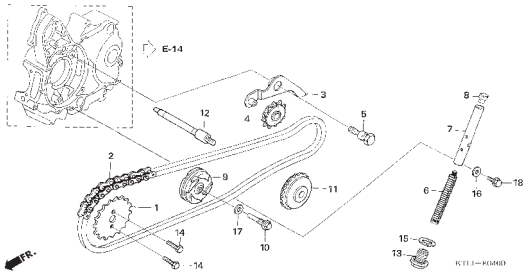
E-2 CYLINDER HEAD



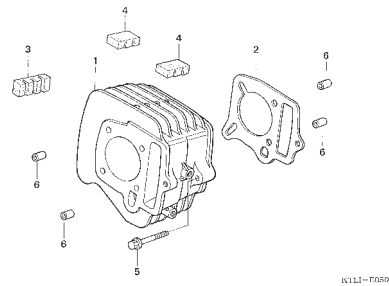
E-3 CAMSHAFT/VALVE



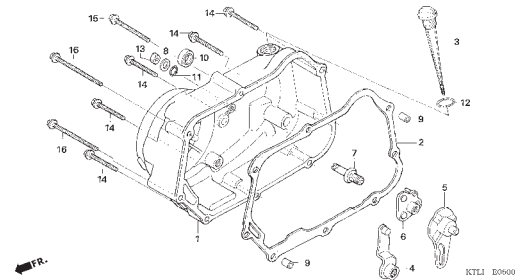
E-4 CAM CHAIN/TENSIONER



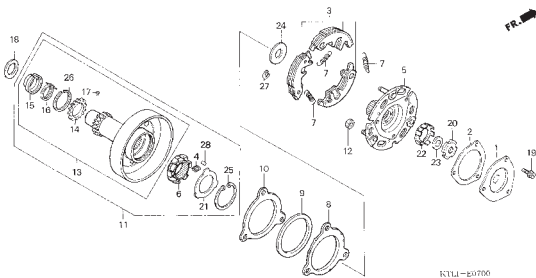
E-5 CYLINDER



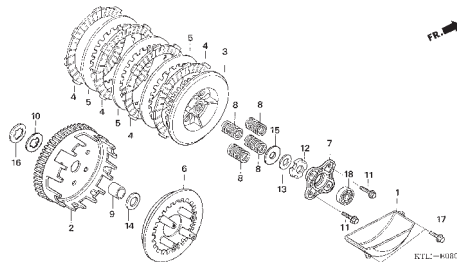
E-6 RIGHT CRANKCASE COVER



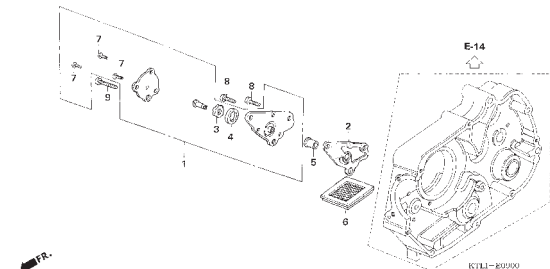
E-7 ONE WAY CLUTCH



E-8 CLUTCH

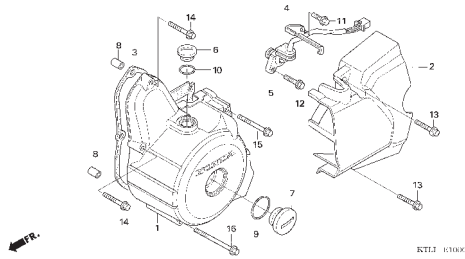


E-9 OIL PUMP

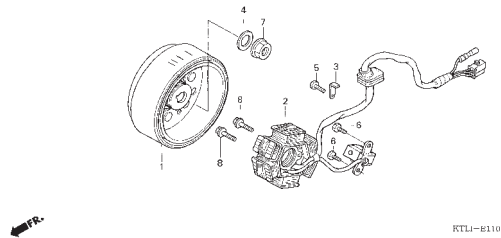


ENGINE GROUP

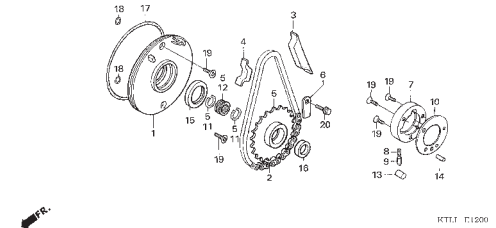
E-10 LEFT CRANKCASE COVER



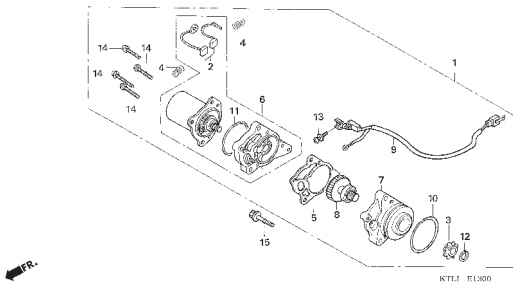
E-11 GENERATOR



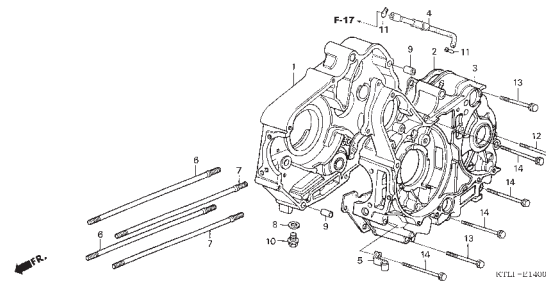
E-12 STARTING CLUTCH



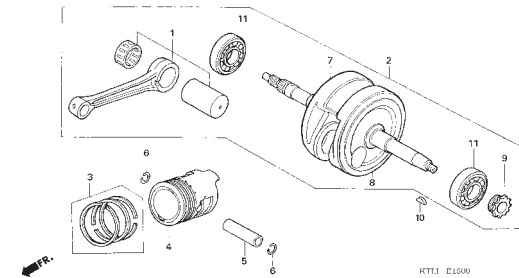
E-13 STARTING MOTOR



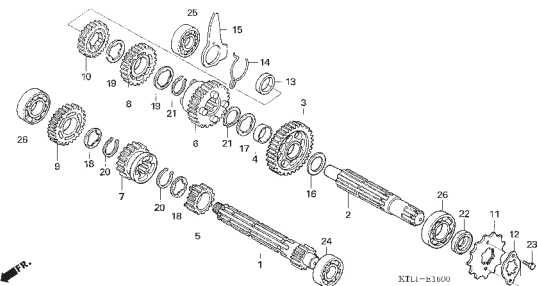
E-14 CRANKCASE



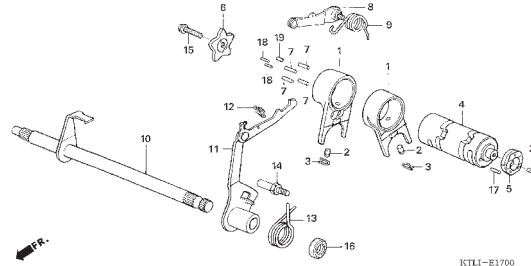
E-15 CRANKSHAFT/PISTON



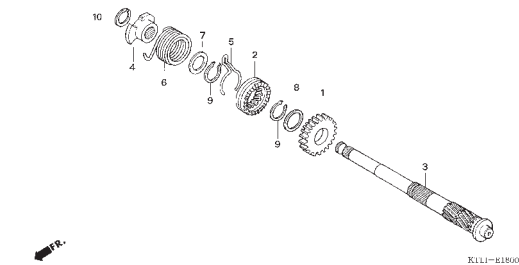
E-16 TRANSMISSION



E-17 GEARSHIFT DRUM



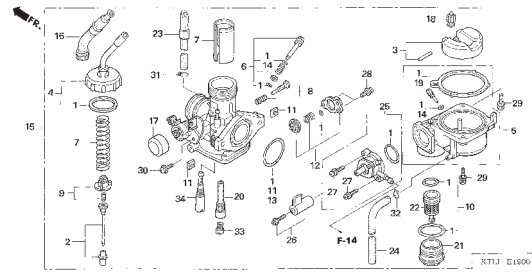
E-18 KICK STARTER SPINDLE



ENGINE GROUP

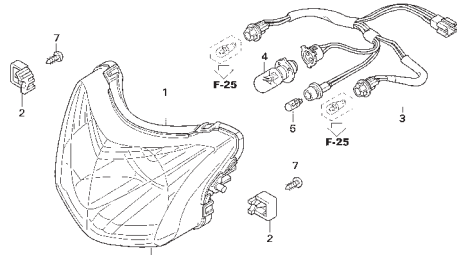
E-19

CARBURETOR

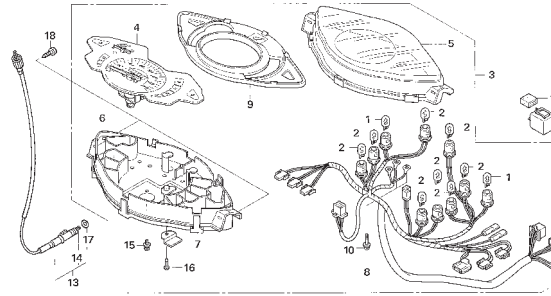


FRAME GROUP

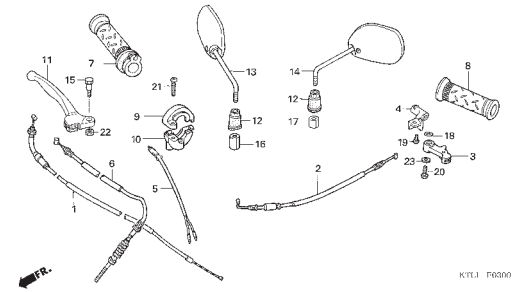
F-1 HEADLIGHT



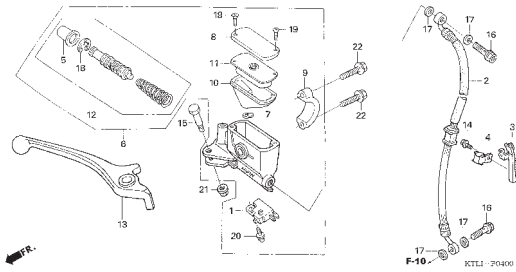
F-2 SPEEDOMETER



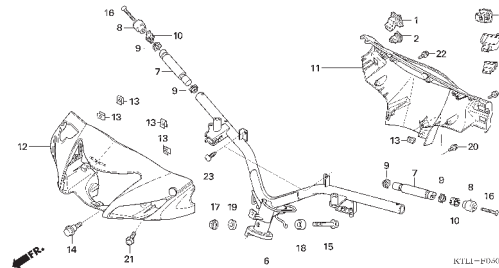
F-3 HANDLE LEVER/CABLE



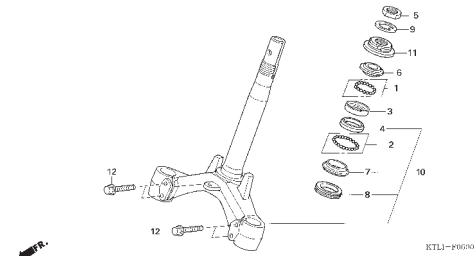
F-4 FR. BRAKE MASTER CYLINDER



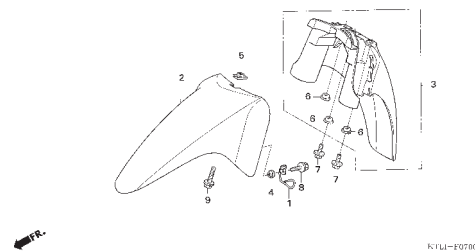
F-5 HANDLE PIPE/ HANDLE COVER /SWITCH



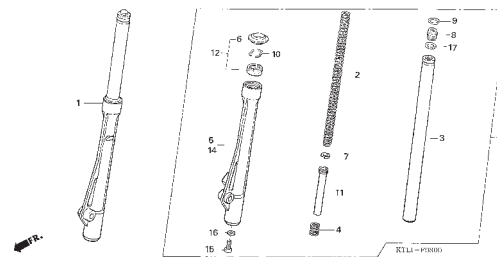
F-6 STEERING STEM



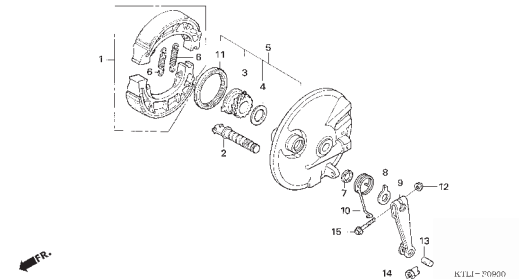
F-7 FRONT FENDER



F-8 FRONT FORK

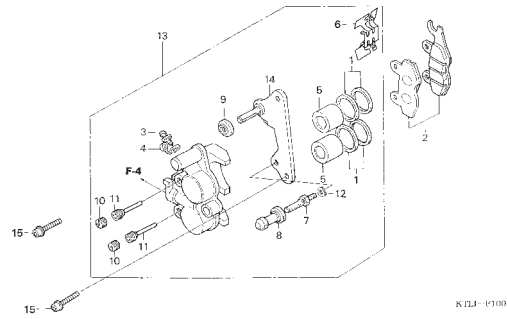


F-9 FRONT BRAKE PANEL

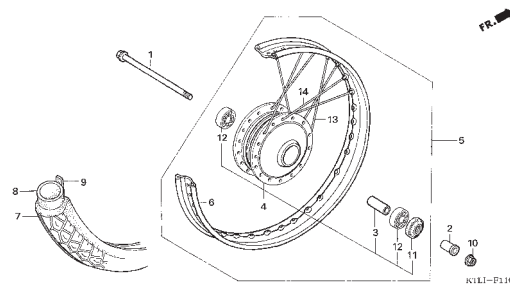


FRAME GROUP

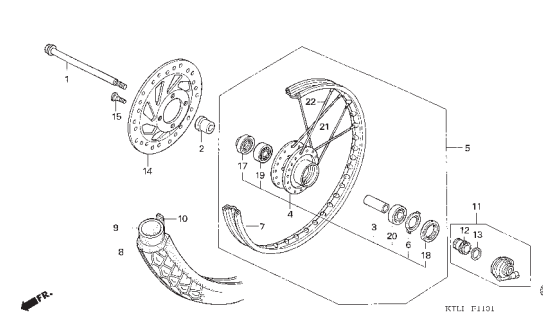
F-10 FRONT BRAKE CALIPER



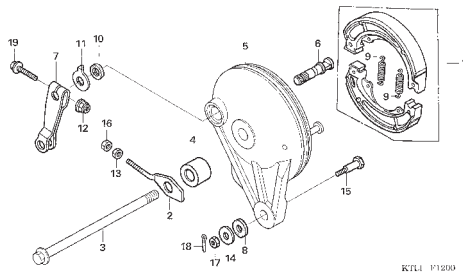
F-11 FRONT WHEEL (2 IN)



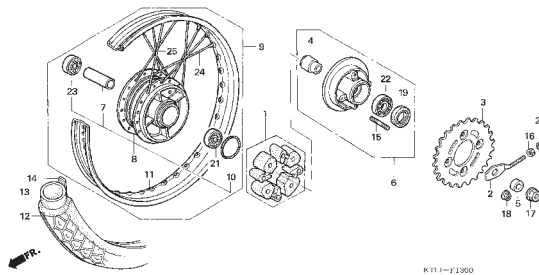
F-11-1 FRONT WHEEL (1IN)



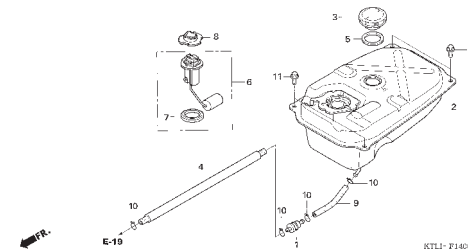
F12 REAR BRAKE PANEL



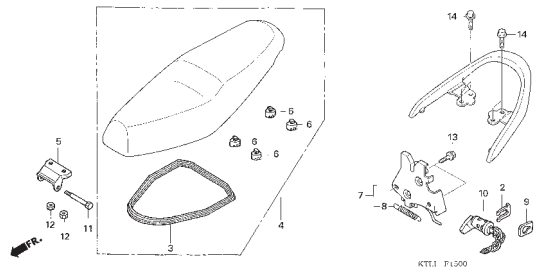
F-13 REAR WHEEL



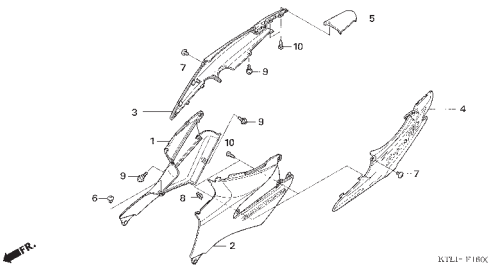
F-14 FUEL TANK



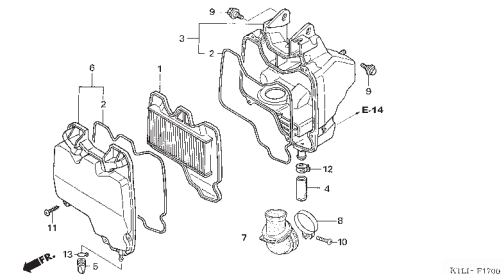
F-15 SEAT



F-16 BODY COVER

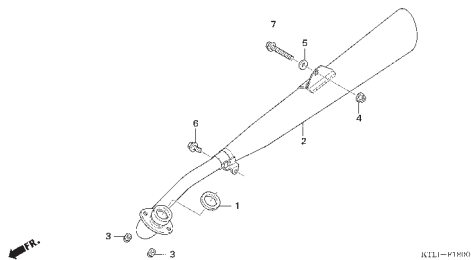


F-17 AIR CLEANER

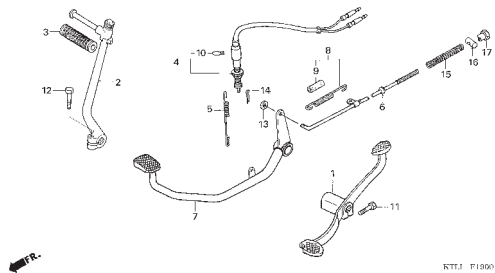


FRAME GROUP

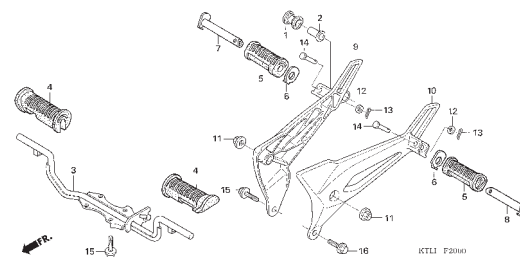
F-18 EXHAUST MUFFLER



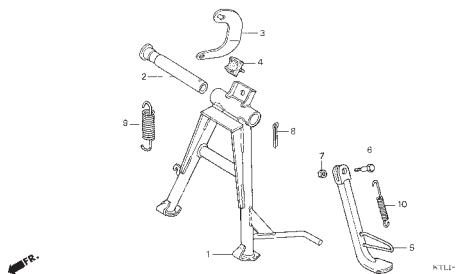
F-19 PEDAL/KICK STARTER ARM



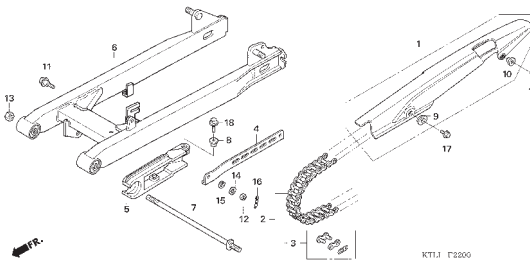
F-20 STEP



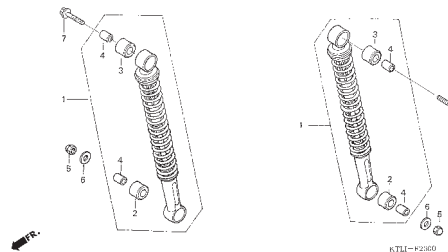
F21 STAND



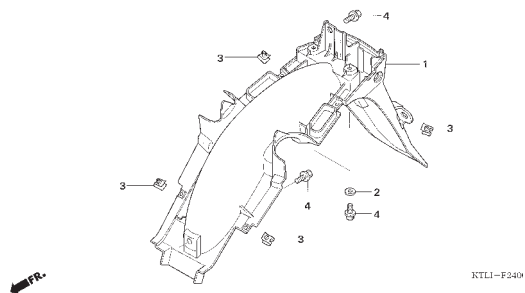
F-22 SWINGARM



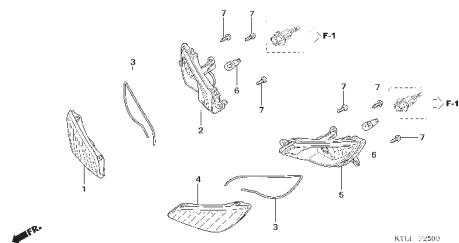
F-23 REAR CUSHION



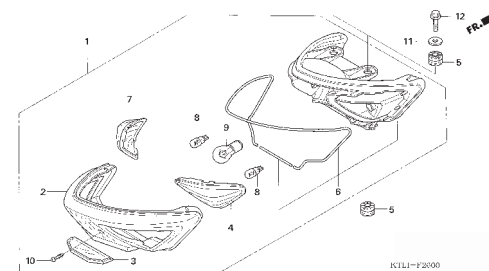
F-24 REAR FENDER



F-25 FRONT WINKER

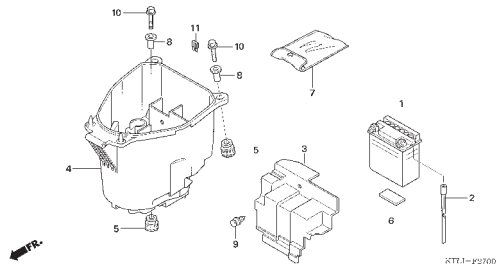


F-26 REAR COMBINATION LIGHT

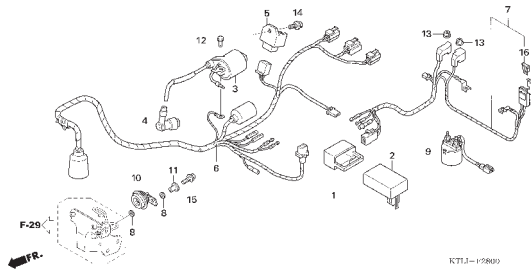


FRAME GROUP

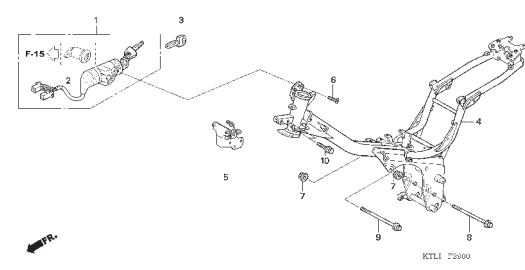
F-27 BATTERY/LUGGAGE BOX



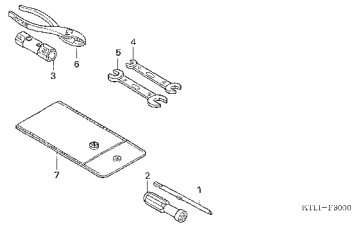
F-28 WIRE HARNESS



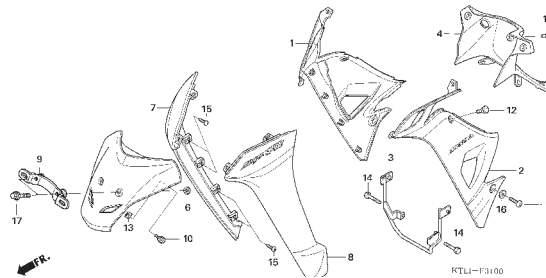
F-29 FRAME BODY



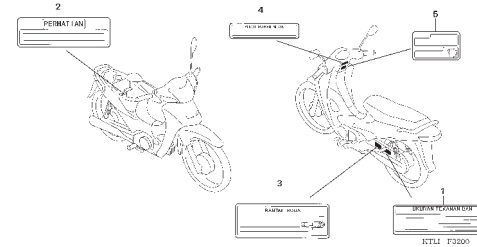
F30 TOOLS



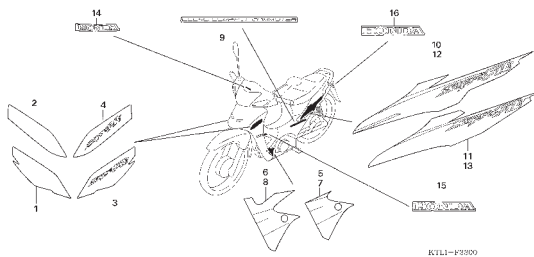
F-31 MAIN PIPE COVER / LEG SHIELD



F-32 CAUTION LABEL

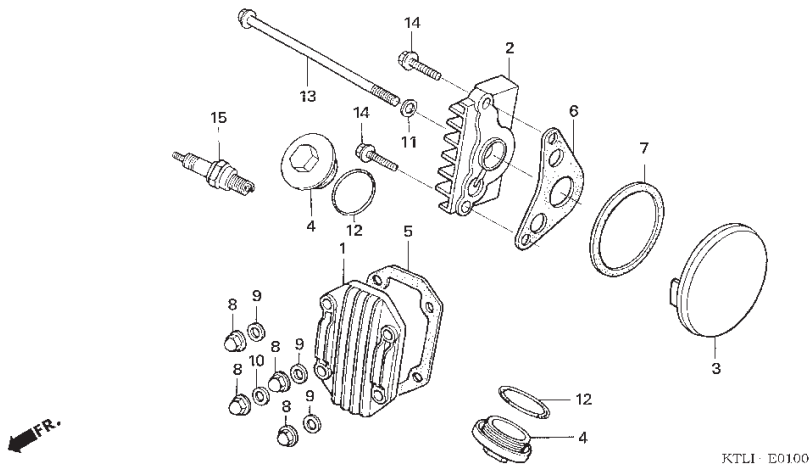


F-33 MARK/ STRIPE



E - 1

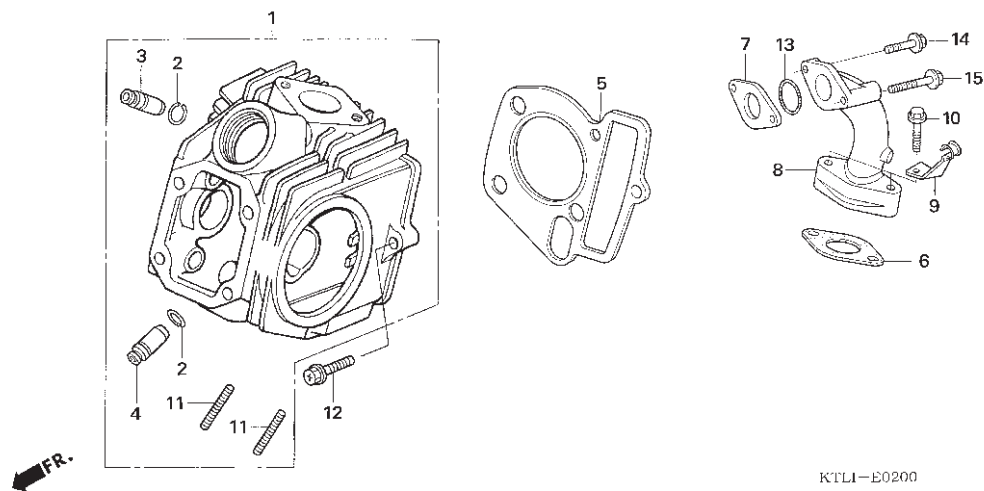
Cylinder Head Cover



KTLL E0100

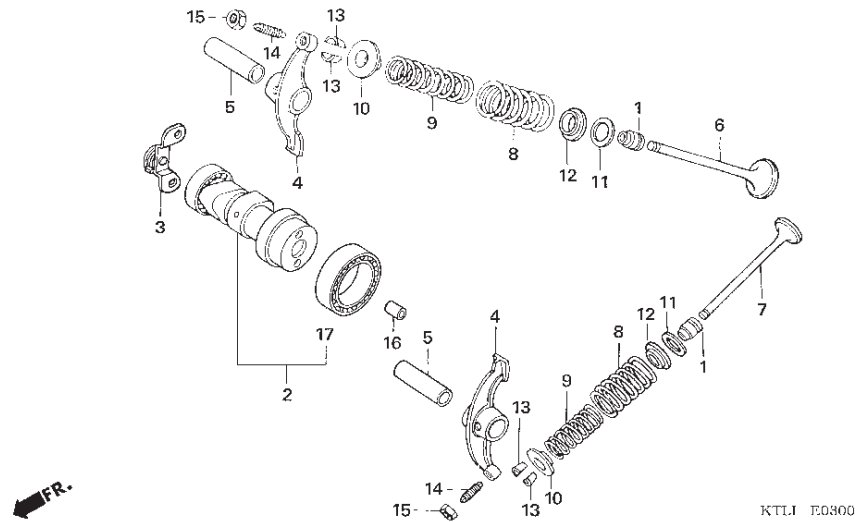
Service item	F.R.T.	No.	Part Number	Description	QTY ANF100 / ANF100D	Notes
2 NEEDLE, JET.....	0.8	1	12301-GB6-910	COVER, CYLINDER HEAD	1	
3 FLOAT OR FLOAT VALVE.....	0.6	2	12331-KFL-850	COVER, R. CYLINDER HEAD SIDE	1	
4 TOP SET, CARBURETOR.....	0.4	3	12341-KFL-850	COVER, L. CYLINDER HEAD SIDE	1	
5 CHAMBER, FLOAT.....	0.5	4	12361-035-000	CAP, TAPPET ADJUSTING HOLE	2	
7 VALVE, THROTTLE.....	0.5	5	12391-GW8-680	GASKET, CYLINDER HEAD COVER	1	
12 VALVE, AIR CUT.....	0.2	6	12394-KFL-850	GASKET, R. CYLINDER HEAD SIDE COVER	1	
15 CARBURETOR ASSEMBLY.....	0.7	7	12395-KFL-850	GASKET, L. CYLINDER HEAD SIDE COVER	1	
25 COCK ASSY., FUEL.....	0.3	8	90201-GF6-010	NUT, CAP, 7MM	4	
33 JET, MAIN.....	0.6	9	90442-GF6-010	WASHER, SEALING, 7MM	3	
		10	90443-GF6-010	WASHER A, SEALING, 7MM	1	
		11	90461-357-000	WASHER, SEALING, 6.5X12	1	
		12	91302-KEV-900	O-RING, 30.8X3	2	
		13	95701-06110-00	BOLT, FLANGE, 6X110	1	
		14	96001-06025-00	BOLT, FLANGE, 6X25	2	
		15	98056-56713	PLUG, SPARK (C6HSA)(NGK)	1	
			98056-56723	PLUG, SPARK (U20FS-U)(DENSO)	1	
			98056-57713	PLUG, SPARK (C7HSA)(NGK)	(1)	
			98056-57723	PLUG, SPARK (U22FS-U)(DENSO)	(1)	

E - 2 Cylinder Head



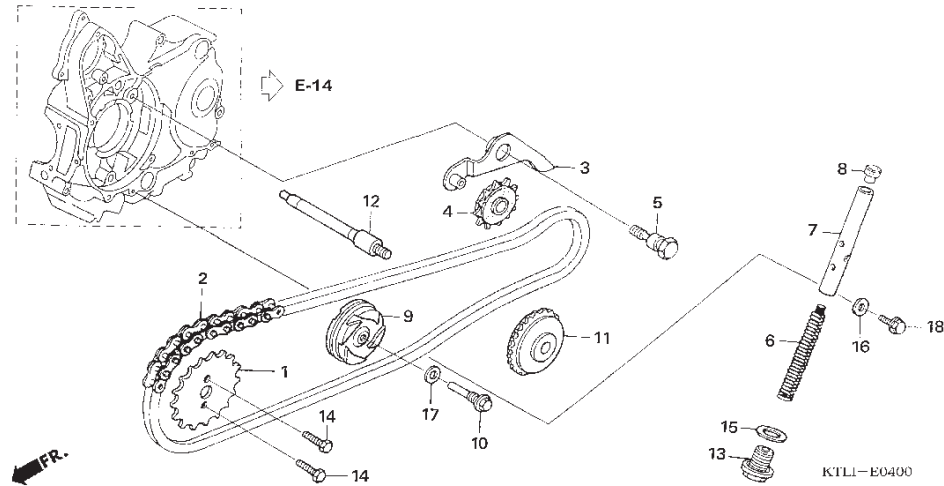
Service item	F.R.T.	No.	Part Number	Description	QTY ANF100 / ANF100D	Notes
1 HEAD, CYLINDER.....	2.0	1	12200-KFL-900	HEAD COMP., CYLINDER	1	
.INCLUDES: Valve clearance adjustment and reface		2	12211-KFM-900	CLIP, VALVE GUIDE	2	
3 GUIDE, INTAKE VALVE(ONE).....	2.0	3	12237-KFL-305	GUIDE, IN. VALVE	1	
.INCLUDES: Reaming		4	12245-KFL-305	GUIDE, EX. VALVE	1	
.INCLUDES: Valve clearance adjustment and reface		5	12251-KFL-850	GASKET, CYLINDER HEAD	1	
6		6	16201-KCW-851	GASKET, CARBURETOR INSULATOR	1	
7 GUIDE, VALVE :FOR 1 VEHICLE.....	2.3	7	16211-KFL-850	INSULATOR, CARBURETOR	1	
.INCLUDES: Reaming		8	17111-KTL-850	PIPE, INLET	1	
.INCLUDES: Valve clearance adjustment and reface		9	17640-KTM-880	CLAMPER, FUEL TUBE	1	
4 GUIDE, EXHAUST VALVE(ONE).....	2.0	10	90004-GHB-670	BOLT, FLANGE, 6X25 (NSHF)	2	
.INCLUDES: Reaming		11	90033-041-020	BOLT, STUD, 6X32	2	
.INCLUDES: Valve clearance adjustment and reface		12	90081-KFL-850	BOLT, SPECIAL FLANGE, 6X23	1	
7 GUIDE, VALVE :FOR 1 VEHICLE.....	2.3	13	91304-GB1-900	O-RING, 25X2.4	1	
.INCLUDES: Reaming		14	96001-06022-00	BOLT, FLANGE, 6X22	1	
.INCLUDES: Valve clearance adjustment and reface		15	96001-06045-00	BOLT, FLANGE, 6X45	1	
5 GASKET, CYLINDER HEAD.....	1.1					
7 INSULATOR, THROTTLE BODY/ CARBURETOR.....	0.3					
8 MANIFOLD, INTAKE.....	0.4					

E - 3 Camshaft / Valve



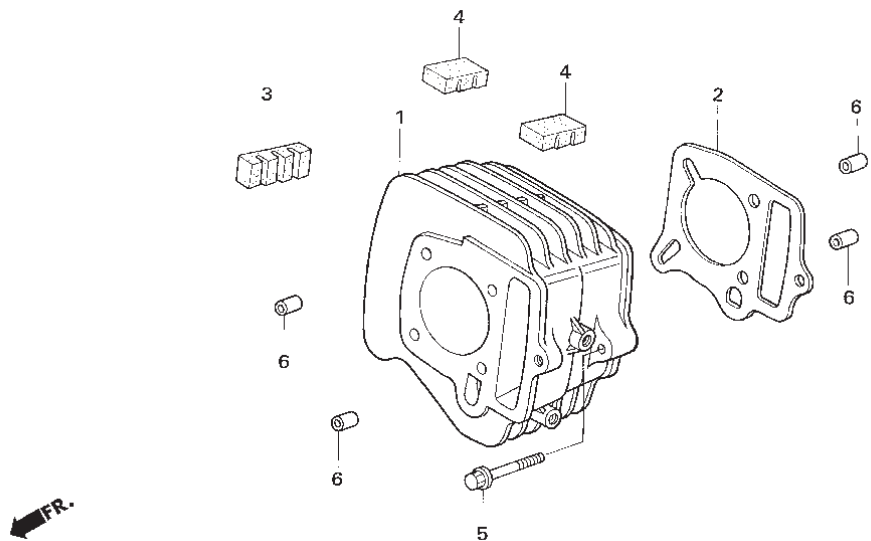
Service item	F.R.T.	No.	Part Number	Description	QTY ANF100 / ANF100D	Notes
2 CAMSHAFT.....	0.8	1	12209-GB4-681	SEAL, VALVE STEM (NOK)	2	
.INCLUDES: Valve clearance adjustment		2	14100-KFM-900	CAMSHAFT COMP.	1	
4 ARM, INTAKE VALVE ROCKER(ONE)	1.3	3	14150-GN5-911	PLATE COMP., STOPPER	1	
.INCLUDES: Valve clearance adjustment		4	14431-GN5-911	ARM, VALVE ROCKER	2	
ARM, EXHAUST VALVE ROCKER(ONE)	1.3	5	14451-035-000	SHAFT, VALVE ROCKER ARM	2	
.INCLUDES: Valve clearance adjustment		6	14711-KFM-900	VALVE, IN.	1	
ARM, VALVE ROCKER :FOR 1 VEHICLE	1.3	7	14721-GF6-010	VALVE, EX.	1	
.INCLUDES: Valve clearance adjustment		8	14751-GN5-911	SPRING, VALVE OUTER	2	
6 VALVE, INTAKE(ONE)	1.6	9	14761-GN5-911	SPRING, VALVE INNER	2	
.INCLUDES: Refacing		10	14771-GB4-680	RETAINER, VALVE SPRING	2	
.EXCLUDES: Valve guide replacement		11	14775-KFM-900	SEAT, VALVE SPRING OUTER	2	
VALVE :FOR 1 VEHICLE	1.8	12	14776-KFM-900	SEAT, VALVE SPRING INNER	2	
.INCLUDES: Refacing		13	14781-MA6-000	COTTER, VALVE	4	
.EXCLUDES: Valve guide replacement		14	90012-333-000	SCREW, TAPPET ADJUSTING	2	
7 VALVE, EXHAUST(ONE).....	1.6	15	90206-001-000	NUT, TAPPET ADJUSTING	2	
INCLUDES: Refacing		16	90702-KFM-900	DOWEL PIN, 8X12	1	
.EXCLUDES: Valve guide replacement		17	91007-GB6-911	BEARING, RADIAL BALL, 6905	1	
VALVE :FOR 1 VEHICLE	1.8					
.INCLUDES: Refacing						
.EXCLUDES: Valve guide replacement						
8 SPRING AND/OR STEM SEAL, INTAKE VALVE(ONE)	1.4					
SPRING AND/OR STEM SEAL, EXHAUST VALVE(ONE)	1.4					
SPRING AND/OR STEM SEAL, VALVE :FOR 1 VEHICLE	1.5					
17 BEARING, CAMSHAFT	1.0					

E - 4 Cam Chain / Tensioner



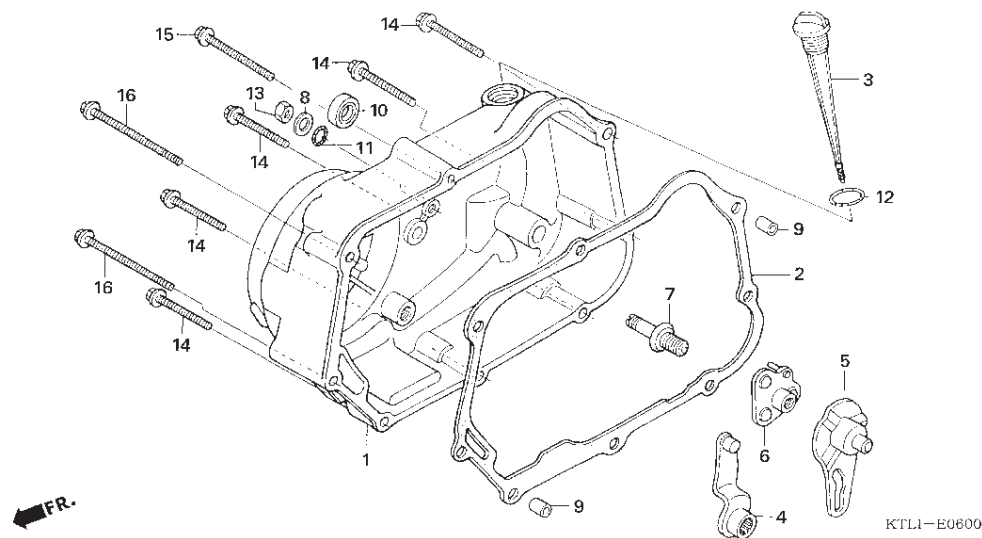
Service item	F.R.T.	No.	Part Number	Description	QTY ANF100 / ANF100D	Notes	
1	SPROCKET, CAM	0.6	1	14321-KFM-900	SPROCKET, CAM (32T)	1	
2	CHAIN, CAM	1.4	2	14401-KFM-900	CHAIN, CAM (88L) (DAIDO)	1	
3	ARM, CAM CHAIN TENSIONER	1.0	3	14401-KFM-901	CHAIN, CAM (DID25H-88LE)	1	
4	ROLLER(S), CAM CHAIN TENSIONER .	1.0	3	14500-035-020	ARM COMP., CAM CHAIN TENSIONER	1	
7	ROD, CAM CHAIN TENSIONER PUSH .	0.3	4	14502-086-000	ROLLER, CAM CHAIN TENSIONER	1	
9	ROLLER, CAM CHAIN GUIDE.....	1.2	5	14531-035-000	PIVOT, CAM CHAIN TENSIONER	1	
11	SPROCKET, CAM CHAIN GUIDE.....	4.0	6	14541-GB4-681	SPRING, CAM CHAIN TENSIONER	1	
	.INCLUDES: Engine removal and installation		7	14550-GB0-911	ROD COMP., CAM CHAIN TENSIONER PUSH	1	
12	BOLT, CAM CHAIN GUIDE ROLLER.....	4.0	8	14566-086-030	HEAD, CAM CHAIN TENSIONER PUSH ROD	1	
	.INCLUDES: Engine removal and installation		9	14610-086-010	ROLLER COMP., CAM CHAIN GUIDE	1	
			10	14615-KFL-850	PIN, GUIDE ROLLER	1	
			11	14670-035-030	SPROCKET, CAM CHAIN GUIDE (25T)	1	
			12	14675-178-000	SPINDLE, CAM CHAIN GUIDE SPROCKET	1	
			13	90081-035-000	BOLT, SEALING, 14MM	1	
			14	90083-GB6-911	BOLT, KNOCK, 5MM	2	
			15	90441-035-000	WASHER, SEALING, 14MM	1	
			16	90461-357-000	WASHER, SEALING, 6.5X12	1	
			17	90481-035-000	WASHER, 8MM	1	
			18	95701-06018-00	BOLT, FLANGE, 6X18	1	

E- 5
Cylinder



Service item	F.R.T.	No.	Part Number	Description	QTY ANF100 / ANF100D	Notes
1 CYLINDER.....	1.4	1	12100-KFM-900	CYLINDER COMP.	1	
2 GASKET, CYLINDER	1.3	2	12191-KFL-850	GASKET, CYLINDER	1	
		3	12195-KFL-850	RUBBER A, INSERT	1	
		4	12196-KFM-900	RUBBER B, INSERT	2	
		5	90082-KFL-850	BOLT, SPECIAL FLANGE, 6X30	1	
		6	90701-KFM-900	DOWEL PIN, SPECIAL, 8X14	4	

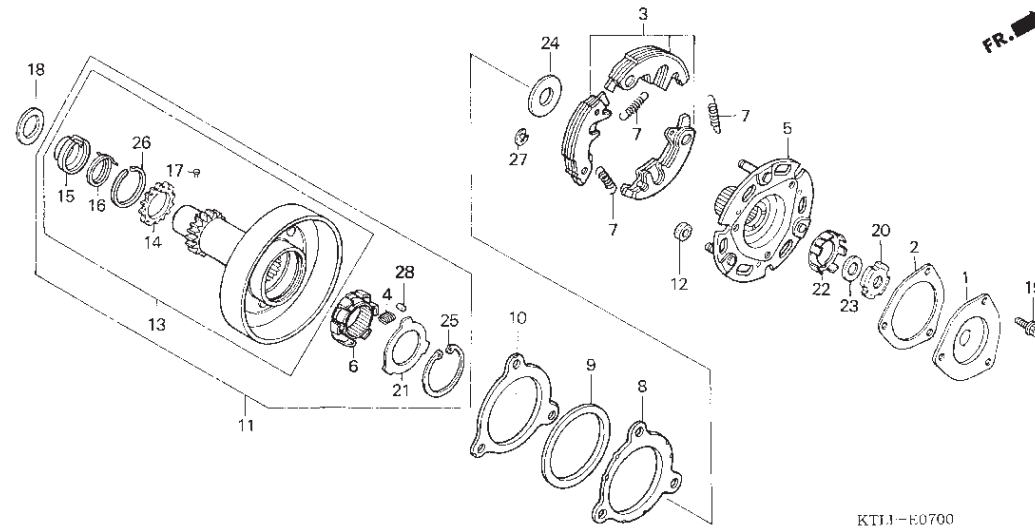
E - 6 Right Crankcase Cover



KTLI-E0600

Service item	F.R.T.	No.	Part Number	Description	QTY ANF100 / ANF100D	Notes
1 COVER, CRANKCASE :RIGHT	0.8	1	11330-KTL-690	COVER COMP., R. CRANKCASE	1	
2 GASKET, CRANKCASE COVER :RIGHT	0.6	2	11394-KFL-850	GASKET, R. CRANKCASE COVER	1	
4 LEVER, CLUTCH	0.7	3	15651-GN5-912	GAUGE, OIL LEVEL	1	
5 PLATE, CLUTCH CAM.....	0.6	4	22810-KTL-740	LEVER COMP., CLUTCH	1	
6 PLATE, CLUTCH CAM LIFTER	0.7	5	22823-KFL-850	PLATE, CLUTCH LIFTER CAM	1	
7 SCREW, CLUTCH ADJUSTING.....	0.7	6	22840-KFL-850	LIFTER COMP., CLUTCH	1	
10 OIL SEAL, KICK STARTER SPINDLE	0.6	7	22846-GN5-910	BOLT, CLUTCH ADJUSTING	1	
		8	90485-040-000	WASHER, 8MM	1	
		9	90702-KFM-900	DOWEL PIN, 8X12	2	
		10	91202-KFL-841	OIL SEAL, 13.8X24X5	1	
		11	91303-001-000	O-RING, 8MM	1	
		12	91307-035-000	O-RING, 18X3	1	
		13	94030-08000	NUT, HEX., 8MM	1	
		14	96001-06040-00	BOLT, FLANGE, 6X40	5	
		15	96001-06065-00	BOLT, FLANGE, 6X65	1	
		16	96001-06080-00	BOLT, FLANGE, 6X80	2	

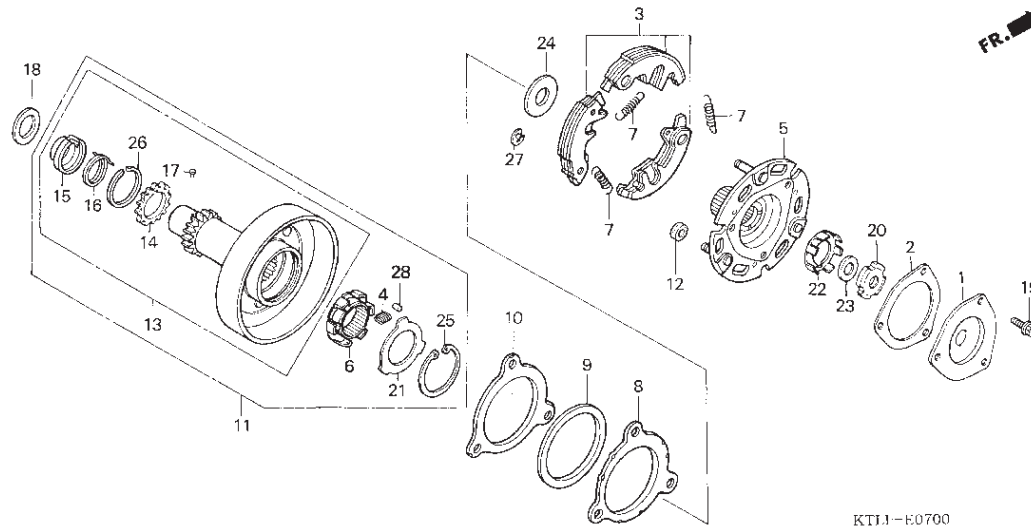
E - 7
One Way Clutch



Service item	F.R.T.	No.	Part Number	Description	QTY ANF100 / ANF100D	Notes
1 COVER, OIL FILTER.....	0.7	1	15431-HF7-010	COVER, OIL FILTER	1	
3 WEIGHT SET, CLUTCH.....	1.0	2	15439-HF7-000	GASKET, OIL FILTER	1	
5 PLATE, DRIVE.....	1.0	3	22530-KFL-850	WEIGHT SET, CLUTCH	1	
6 INNER, ONE-WAY CLUTCH.....	1.0	4	22606-GN5-910	SPRING, ONE WAY RETAINER	6	
11 OUTER, PRIMARY CLUTCH.....	1.0	5	22610-KFL-850	PLATE COMP., PRIMARY DRIVE	1	
13 GEAR, PRIMARY DRIVE.....	1.1	6	22630-GB2-000	INNER COMP., ONE-WAY CLUTCH	1	
		7	22641-KFL-D00	SPRING, PRIMARY CLUTCH	3	
		8	22642-KFL-850	WASHER, CLUTCH SIDE	1	
		9	22643-KFL-D00	SPRING, SIDE FRICTION	1	
		10	22644-KFL-851	PLATE, CLUTCH SIDE	1	
		11	22660-KFM-900	OUTER ASSY., PRIMARY CLUTCH	1	
		12	22804-GB2-000	RUBBER, CLUTCH DAMPER	3	
		13	23120-KFM-900	GEAR COMP., PRIMARY DRIVE	1	
		14	23122-KFM-900	SUB GEAR (17T)	1	
		15	23123-KFL-850	RETAINER, SPRING	1	
		16	23124-GCE-900	SPRING, SUB GEAR	1	
		17	23125-GN5-910	PIN	1	
		18	23126-GCE-900	COLLAR	1	
		19	90083-KFL-850	BOLT, SPECIAL FLANGE, 5X8	3	
		20	90231-087-010	NUT, LOCK, 14MM	1	

E - 7

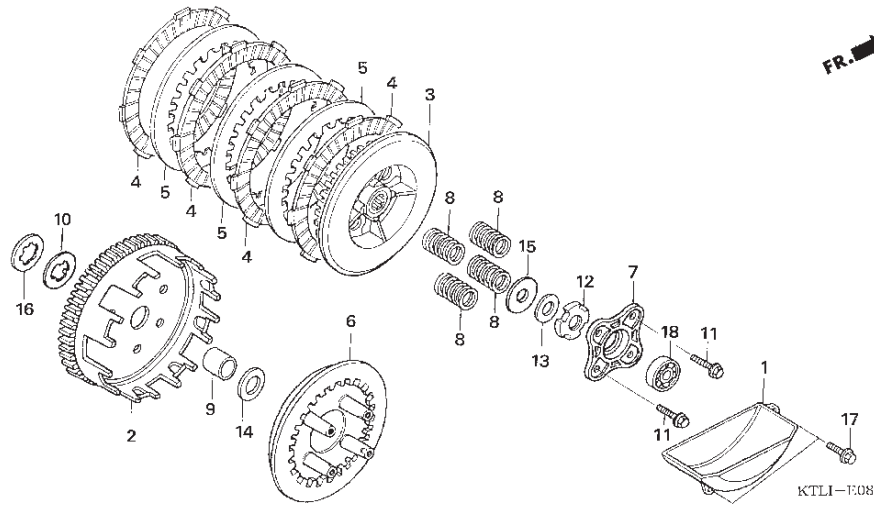
One Way Clutch



KTIJ-E0700

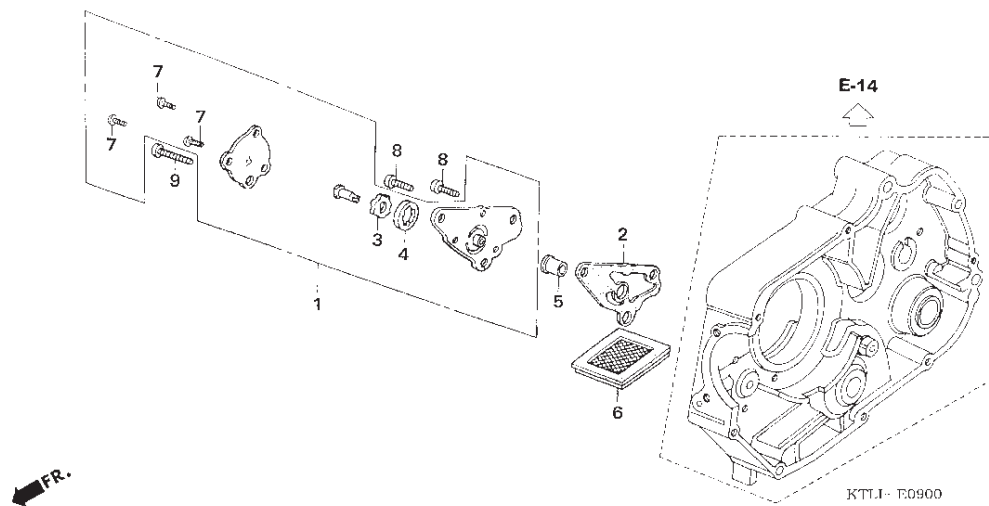
Service item	F.R.T.	No.	Part Number	Description	QTY ANF100 / ANF100D	Notes
		21	90401-GB2-000	WASHER, 30X45X0.8	1	
		22	90431-GN5-910	WASHER, LOCK	1	
		23	90432-086-000	WASHER B, LOCK	1	
		24	90433-KW7-900	WASHER, 17X23X3	1	
		25	90455-GB2-000	CIRCLIP, INTERNAL, 45MM	1	
		26	90603-PX0-A00	SET RING, 23MM	1	
		27	90605-166-720	CIRCLIP, 7MM	3	
		28	91101-GB2-000	ROLLER, 5X8	6	

E - 8
Clutch



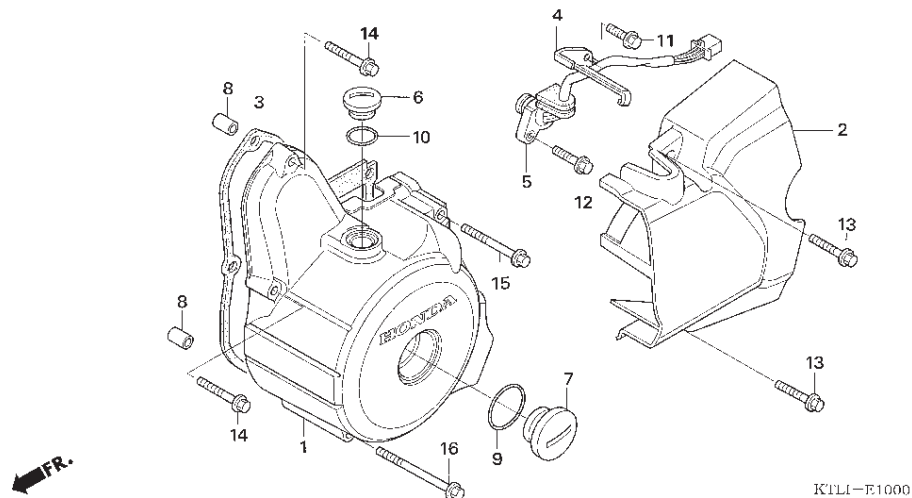
Service item	F.R.T.	No.	Part Number	Description	QTY ANF100 / ANF100D	Notes
1 SEPARATOR, OIL	1.0	1	15661-GN5-910	PLATE, OIL SEPARATOR	1	
2 OUTER, CLUTCH	1.0	2	22110-KFL-D01	OUTER COMP., CLUTCH (69T)	1	
3 CENTER, CLUTCH	1.2	3	22121-KFM-900	CENTER, CLUTCH	1	
4 DISC, CLUTCH FRICTION	1.2	4	22201-166-001	DISK, CLUTCH FRICTION	4	
NOTE: Same time for two units or more		5	22311-KN4-680	PLATE, CLUTCH	3	
6 PLATE, CLUTCH PRESSURE	1.2	6	22350-115-020	PLATE, CLUTCH PRESSURE	1	
7 PLATE, CLUTCH LIFTER	1.0	7	22361-KFM-900	PLATE, CLUTCH LIFTER	1	
8 SPRING, CLUTCH	1.0	8	22401-KEV-900	SPRING, CLUTCH	4	
NOTE: Same time for two units or more		9	23112-GCE-900	COLLAR, CLUTCH CENTER	1	
18 BEARING, CLUTCH LIFTER	0.7	10	23217-GN5-910	SET RING, 17MM	1	
		11	90050-KFL-850	BOLT, SPECIAL FLANGE, 6X25	4	
		12	90231-198-000	NUT B, LOCK, 14MM	1	
		13	90402-KFM-900	WASHER, THRUST, 14MM	1	
		14	90403-HA0-000	WASHER, THRUST, 17MM	1	
		15	90432-086-000	WASHER B, LOCK	1	
		16	90462-KFL-850	WASHER B, SPLINE, 17MM	1	
		17	95701-06020-00	BOLT, FLANGE, 6X20	2	
		18	96100-62000-00	BEARING, RADIAL BALL, 6200	1	

E - 9 Oil Pump



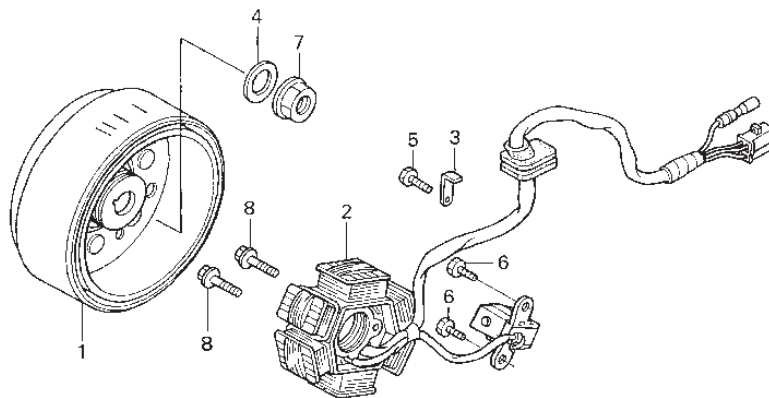
Service item	F.R.T.	No.	Part Number	Description	QTY ANF100 / ANF100D	Notes
1 PUMP ASSY., OIL.....	1.2	1	15100-GBG-932	PUMP ASSY., OIL (YAMADA)	1	
6 SCREEN, OIL FILTER.....	0.6	2	15119-178-000	GASKET, OIL PUMP BODY	1	
		3	15331-GF6-000	ROTOR, OIL PUMP INNER	1	
		4	15332-GF6-000	ROTOR, OIL PUMP OUTER	1	
		5	15384-178-000	PIVOT, OIL PUMP	1	
		6	15421-035-010	SCREEN, OIL FILTER	1	
		7	93500-05010-0A	SCREW, PAN, 5X10	3	
		8	93500-06016-0A	SCREW, PAN, 6X16	2	
		9	93500-06022-0A	SCREW, PAN, 6X22	1	

E - 10
Left Crankcase
Cover



Service item	F.R.T.	No.	Part Number	Description	QTY ANF100 / ANF100D	Notes
1 COVER, CRANKCASE :LEFT.....	0.7	1	11341-KFV-840	COVER, L. CRANKCASE	1	
2 COVER, CRANKCASE :LEFT REAR.....	0.1	2	11361-KTL-690	COVER, L. RR. CRANKCASE	1	
3 GASKET, CRANKCASE COVER :LEFT...	0.6	3	11395-GBJ-730	GASKET, L. CRANKCASE COVER	1	
5 SWITCH, GEAR POSITION.....	0.5	4	32961-KFL-850	CLAMPER, A.C. GENERATOR CORD	1	
		5	35759-KTL-691	CONTACT ASSY., CHANGE SWITCH	1	
		6	90084-GN5-830	CAP, A.C. GENERATOR	1	
		7	90087-GN5-830	CAP, 30MM	1	
		8	90702-KFM-900	DOWEL PIN, 8X12	2	
		9	91301-028-000	O-RING, 27X2.0	1	
		10	91303-377-000	O-RING, 13.8X2.5	1	
		11	96001-06016-00	BOLT, FLANGE, 6X16	1	
		12	96001-06020-00	BOLT, FLANGE, 6X20	1	
		13	96001-06028-00	BOLT, FLANGE, 6X28	2	
		14	96001-06032-00	BOLT, FLANGE, 6X32	2	
		15	96001-06050-00	BOLT, FLANGE, 6X50	1	
		16	96001-06070-00	BOLT, FLANGE, 6X70	1	

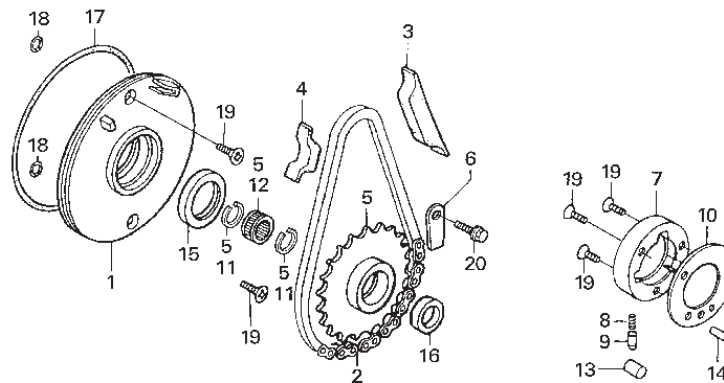
E - 11 Generator



Service item	F.R.T.	No.	Part Number	Description	QTY ANF100 / ANF100D	Notes
1 ROTOR OR FLYWHEEL	0.8	1	31110-KFV-841	FLYWHEEL COMP.	1	
2 STATOR.....	0.7	2	31120-KTL-691	STATOR COMP.	1	
		3	31141-141-860	CLAMPER, A.C. GENERATOR CORD	1	
		4	90410-HC4-000	WASHER, 10MM	1	
		5	93301-05006-0H	BOLT, HEX., 5X6	1	
		6	93301-05010-0H	BOLT, HEX., 5X10	2	
		7	94050-10000	NUT, FLANGE, 10MM	1	
		8	96001-06022-00	BOLT, FLANGE, 6X22	2	

E - 12

Starting Clutch

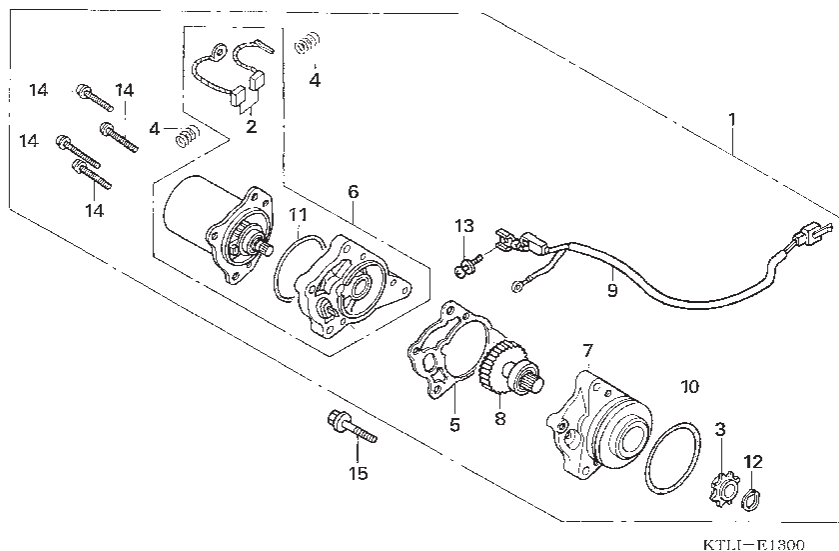


KTLI-E1200

Service item	F.R.T.	No.	Part Number	Description	QTY ANF100 / ANF100D	Notes
1 BASE, STATOR.....	0.9	1	11321-179-710	PLATE, OIL SEPARATE	1	
2 CHAIN, STARTER DRIVE.....	0.8	2	28101-GB4-701	CHAIN, STARTING (DID25H-62LE) (DAIDO)	1	
5 SPROCKET, STARTER DRIVEN.....	0.8		28101-GB4-702	CHAIN, STARTING (TSUBAKIMOTO)	1	
7 OUTER, STARTING CLUTCH.....	0.8	3	28102-GB4-700	GUIDE, STARTER CHAIN	1	
13 ROLLER, STARTING CLUTCH.....	0.8	4	28103-GB4-700	PROTECTOR, STARTER CHAIN	1	
.NOTE: Same time for two units or more		5	28110-GB4-700	SPROCKET COMP., STARTING (41T)	1	
15 OIL SEAL, CRANKSHAFT :LEFT.....	0.9	6	28117-KFL-850	PLATE, STARTING SPROCKET SETTING	1	
17 O-RING, STATOR BASE.....	0.9	7	28120-179-710	OUTER, STARTING CLUTCH	1	
		8	28125-179-710	SPRING, STARTING CLUTCH ROLLER	3	
		9	28126-253-030	CAP, STARTING CLUTCH ROLLER SPRING	3	
		10	28128-179-710	PLATE, STARTING CLUTCH SIDE	1	
		11	90464-GB2-701	CIRCLIP, INTERNAL, 23	2	
		12	91005-GB2-701	BEARING, NEEDLE, 19X23X13 (NTN)	1	
			91005-GB2-702	BEARING, NEEDLE, 19X23X13 (NSK)	1	
		13	91101-179-710	ROLLER, 10X10	3	
		14	91102-179-711	ROLLER, 5X11.8	1	
		15	91201-GB4-691	OIL SEAL, 30X42X4.5 (NOK)	1	
			91201-GB4-692	OIL SEAL, 30X42X4.5 (ARAI)	1	
		16	91202-GB4-692	OIL SEAL, 18.9X28X5 (ARAI)	1	
		17	91301-035-003	O-RING, 107X2 (ARAI)	1	
		18	91317-171-003	O-RING, 6X1.7 (ARAI)	2	
		19	93600-06016-0A	SCREW, FLAT, 6X16	5	
		20	96001-06010-00	BOLT, FLANGE, 6X10	1	

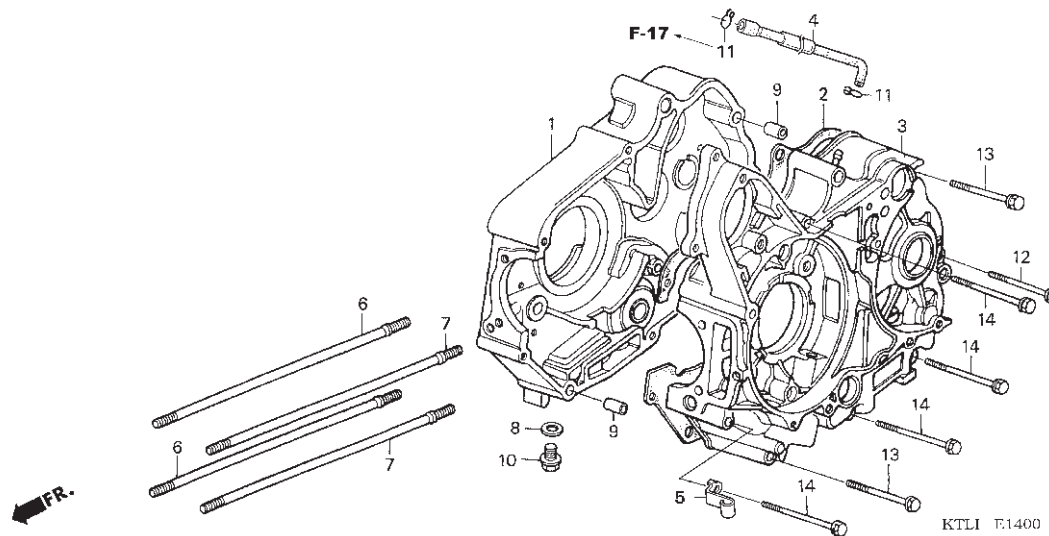
E - 13

Starting Motor



Service item	F.R.T.	No.	Part Number	Description	QTY ANF100 / ANF100D	Notes
1 MOTOR, STARTING.....	0.8	1	31200-KTL-690	MOTOR ASSY., STARTING	1	
2 TERMINAL, BRUSH(STARTER).....	1.0	2	31201-187-701	BRUSH SET	1	
3 SPROCKET, STARTER DRIVE.....	0.8	3	31202-GB2-700	SPROCKET (12T)	1	
5 GASKET, STARTER MOTOR.....	0.9	4	31204-187-701	SPRING, BRUSH	2	
6 MOTOR UNIT, STARTING.....	0.9	5	31205-GB4-701	PACKING	1	
9 SUB HARNESS, STARTER.....	0.5	6	31208-GB4-701	MOTOR COMP. (MITSUBA)	1	
		7	31211-GB4-701	CASE A, FR.	1	
		8	31213-GB4-701	GEAR COMP., DRIVEN (MITSUBA)	1	
		9	32410-KTL-691	SUB HARNESS A	1	
		10	91308-GB4-701	O-RING A	1	
		11	91309-GB2-701	O-RING B	1	
		12	91309-GES-003	CIRCLIP	1	
		13	93892-04006-08	SCREW-WASHER, 4X6	1	
		14	93892-05030-08	SCREW-WASHER, 5X30	4	
		15	96001-06045-00	BOLT, FLANGE, 6X45	3	

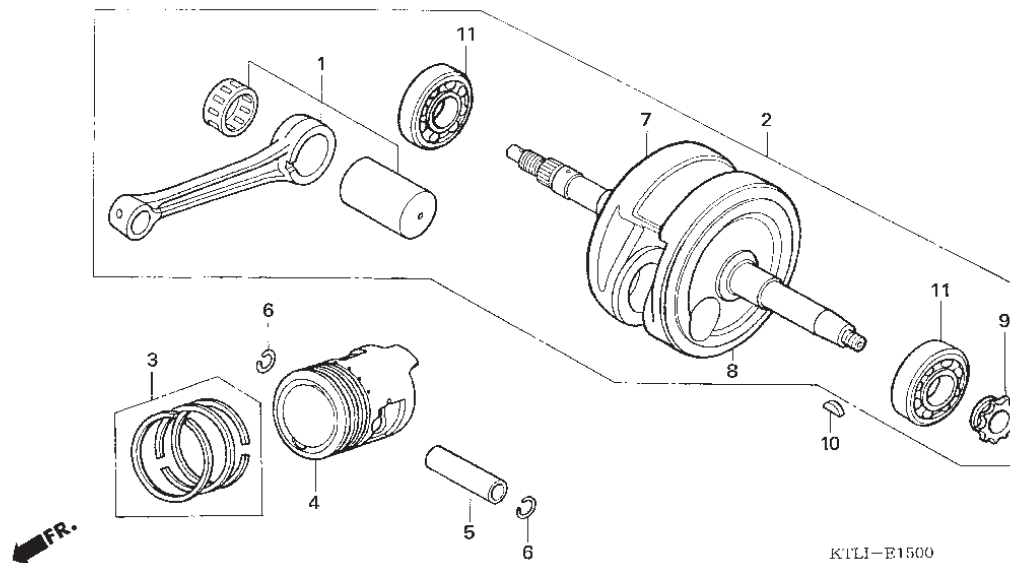
E - 14 Crankcase



Service item	F.R.T.	No.	Part Number	Description	QTY ANF100 / ANF100D	Notes
1 CRANKCASE :RIGHT.....	4.5	1	11100-KEV-880	CRANKCASE COMP., R.	1	
.INCLUDES: Engine removal and installation		2	11191-KFM-900	GASKET, CRANKCASE	1	
3 CRANKCASE :BOTH.....	5.0	3	11200-KFM-902	CRANKCASE COMP., L.	1	
.INCLUDES: Engine removal and installation		4	15761-KTL-690	TUBE, BREATHER	1	
		5	16236-KFV-M20	CLAMP, OVER FLOW TUBE	1	
2 GASKET, CRANKCASE.....	3.9	6	90031-KFM-900	BOLT A, STUD, 6X199.5X7	2	
.INCLUDES: Engine removal and installation		7	90032-KFM-900	BOLT B, STUD, 6X207.5X7	2	
		8	90407-259-000	PACKING, DRAIN COCK, 12.5X20	1	
3 CRANKCASE :LEFT.....	4.6	9	90703-HC4-000	DOWEL PIN, 10X14	2	
.INCLUDES: Engine removal and installation		10	92800-12000	BOLT, DRAIN PLUG, 12MM	1	
CRANKCASE :BOTH.....	5.0	11	95002-50000	CLIP, TUBE (C9)	2	
.INCLUDES: Engine removal and installation		12	96001-06050-00	BOLT, FLANGE, 6X50	1	
		13	96001-06060-00	BOLT, FLANGE, 6X60	2	
		14	96001-06065-00	BOLT, FLANGE, 6X65	4	

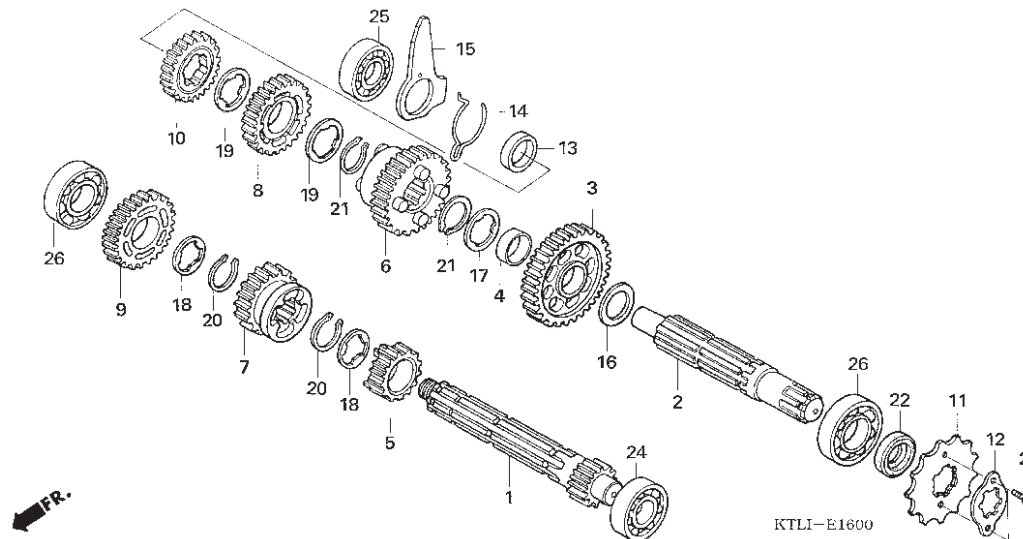
E - 15

Crankshaft / Piston



Service item	F.R.T.	No.	Part Number	Description	QTY ANF100 / ANF100D	Notes
2 CRANKSHAFT.....	4.3	1	06381-KFM-900	ROD KIT, CONNECTING	1	
.INCLUDES: Engine removal and installation		2	13000-KTL-740	CRANKSHAFT COMP.	1	
4 RING, PISTON AND/OR PISTON (ONE)	1.5	3	13011-KFL-851	RING SET, PISTON (STD.) (RIKEN)	1	
9 SPROCKET, TIMING.....	4.2		13011-KFL-852	RING SET, PISTON (STD.) (TEIKOKU)	1	
11 BEARING, CRANKSHAFT :LEFT.....	4.5		13012-KFL-851	RING SET, PISTON (0.25) (RIKEN)	(1)	
.INCLUDES: Engine removal and installation			13012-KFL-852	RING SET, PISTON (0.25) (TEIKOKU)	(1)	
.INCLUDES: Timing sprocket			13013-KFL-851	RING SET, PISTON (0.50) (RIKEN)	(1)	
BEARING, CRANKSHAFT :RIGHT.....	4.3		13013-KFL-852	RING SET, PISTON (0.50) (TEIKOKU)	(1)	
.INCLUDES: Engine removal and installation			13014-KFL-851	RING SET, PISTON (0.75) (RIKEN)	(1)	
BEARING, CRANKSHAFT :BOTH.....	4.8		13014-KFL-852	RING SET, PISTON (0.75) (TEIKOKU)	(1)	
.INCLUDES: Engine removal and installation			13015-KFL-851	RING SET, PISTON (1.00) (RIKEN)	(1)	
.INCLUDES: Timing sprocket			13015-KFL-852	RING SET, PISTON (1.00) (TEIKOKU)	(1)	
		4	13101-KFV-951	PISTON (STD.)	1	
			13102-KFV-951	PISTON (0.25)	(1)	
			13103-KFV-951	PISTON (0.50)	(1)	
			13104-KFV-951	PISTON (0.75)	(1)	
			13105-KFV-951	PISTON (1.00)	(1)	
		5	13111-087-000	PIN, PISTON	1	
		6	13115-GN5-910	CLIP, PISTON PIN, 13MM	2	
		7	13310-KTL-740	CRANKSHAFT COMP., R.	1	
		8	13321-KTL-740	CRANKSHAFT, L.	1	
		9	14311-KFL-850	SPROCKET, TIMING	1	
		10	90741-003-010	KEY, WOODRUFF, 4MM	1	
		11	91001-GF6-004	BEARING, RADIAL BALL, 6304	2	

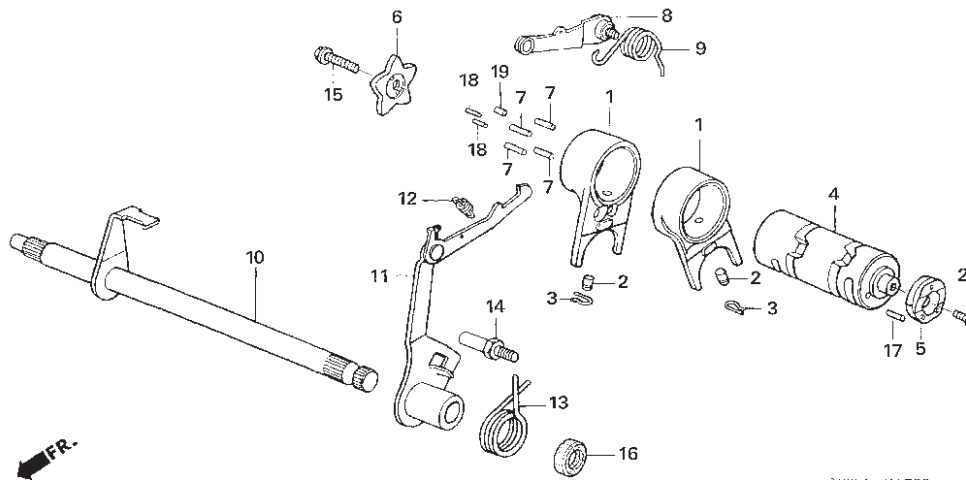
E - 16 Transmission



Service item	F.R.T.	No.	Part Number	Description	QTY ANF100 / ANF100D	Notes
26 BEARING, MAINSHAFT :RIGHT.....	4.1	21	90601-459-000	CIRCLIP, 20MM	2	
.INCLUDES: Engine removal and installation		22	91203-GB5-761	OIL SEAL, 17X29X5 (NOK)	1	
BEARING, MAINSHAFT :BOTH.....	4.3		91203-GB5-762	OIL SEAL, 17X29X5 (ARAI)	1	
.INCLUDES: Engine removal and installation		23	92101-06010-0A	BOLT, HEX., 6X10	2	
BEARING, COUNTERSHAFT :LEFT.....	4.1	24	96100-60010-00	BEARING, RADIAL BALL, 6001	1	
.INCLUDES: Engine removal and installation		25	96100-62010-00	BEARING, RADIAL BALL, 6201	1	
BEARING, COUNTERSHAFT :BOTH....	4.3	26	96100-62030-00	BEARING, RADIAL BALL, 6203	2	
.INCLUDES: Engine removal and installation						
BEARING, MAINSHAFT AND COUNTERSHAFT :ALL.....	4.5					
.INCLUDES: Engine removal and installation						

E - 17

Gearshift Drum

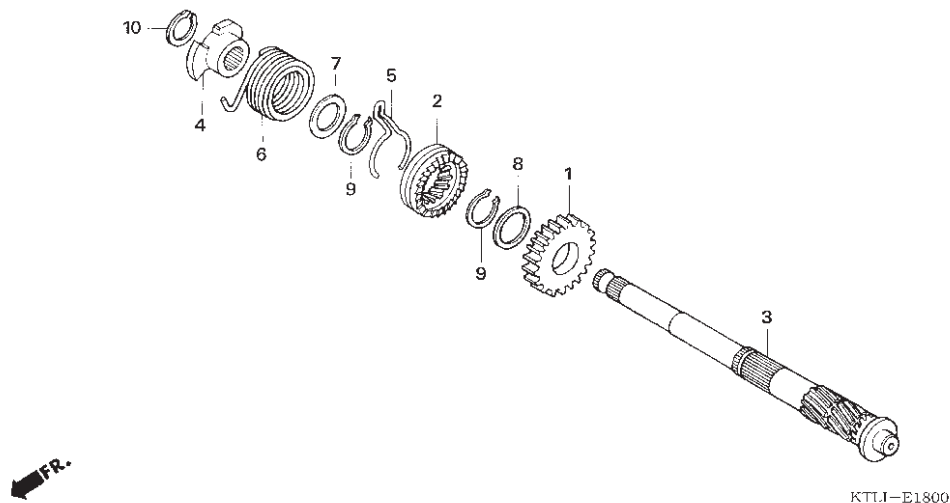


K1L1-E1700

Service item	F.R.T.	No.	Part Number	Description	QTY ANF100 / ANF100D	Notes
1 FORK, GEARSHIFT.....	4.1	1	24211-KFM-900	FORK, GEARSHIFT	2	
.INCLUDES: Engine removal and installation						
.NOTE: Same time for two units						
4 DRUM, GEARSHIFT.....	4.1	5	24320-KFL-850	DRUM, GEARSHIFT	1	
.INCLUDES: Engine removal and installation						
6 PLATE, GEARSHIFT DRUM STOPPER	1.1	6	24411-GB4-771	PLATE, GEARSHIFT DRUM STOPPER	1	
8 STOPPER OR SPRING, SHIFT DRUM	1.1	7	24421-200-000	PIN, GEARSHIFT DRUM	4	
10 SPINDLE, GEARSHIFT.....	1.2	8	24430-GB4-772	ARM COMP., SHIFT DRUM STOPPER	1	
11 ARM, GEARSHIFT.....	1.2	9	24435-GB4-772	SPRING, GEARSHIFT DRUM STOPPER	1	
		10	24601-GN5-902	SPINDLE COMP., GEARSHIFT	1	
		11	24630-GN5-942	ARM COMP., GEARSHIFT	1	
		12	24641-041-000	SPRING, GEARSHIFT ARM	1	
		13	24651-041-000	SPRING, GEARSHIFT RETURN	1	
		14	24652-035-000	PIN, SHIFT RETURN SPRING	1	
		15	90071-171-010	BOLT, KNOCK, 6MM	1	
		16	91208-KB4-671	OIL SEAL, 11.6X24X10 (ARAI)	1	
		17	94305-20062	PIN, SPRING, 2X6	1	
		18	96220-30085	ROLLER, 3X8.5	2	
		19	96220-40100	ROLLER, 4X10	1	
		20	96700-06016-10	BOLT, SOCKET, 6X16	1	

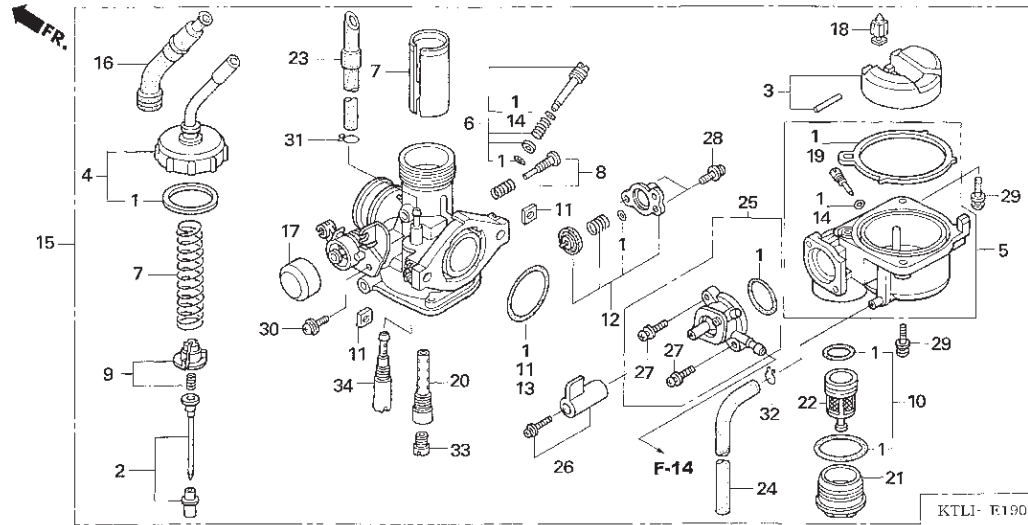
E - 18

Kick Starter Spindle



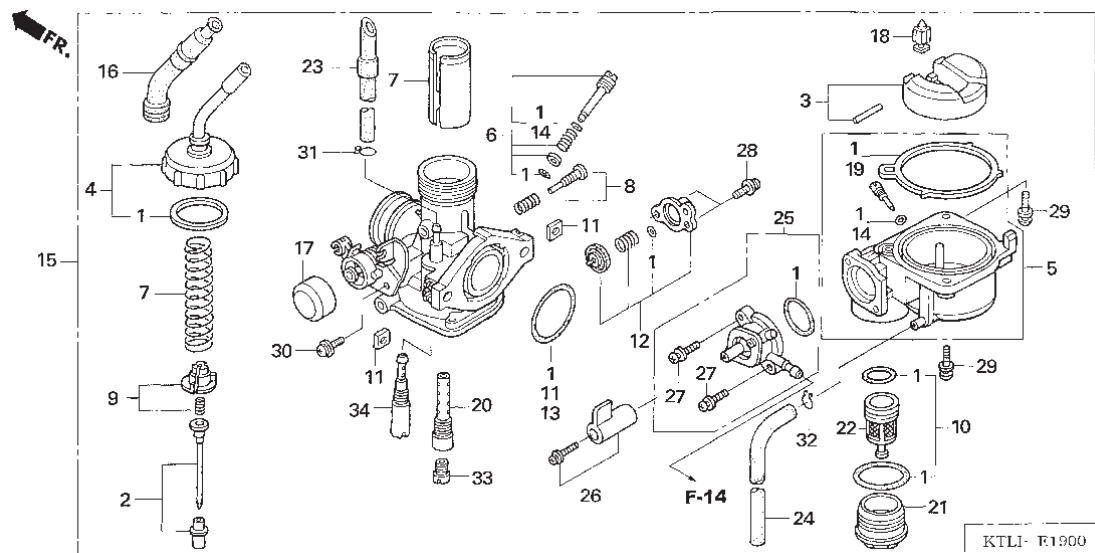
Service item	F.R.T.	No.	Part Number	Description	QTY ANF100 / ANF100D	Notes
1 PINION, KICK STARTER.....	4.0	1	28211-178-000	PINION, KICK STARTER (22T)	1	
		2	28221-178-000	RATCHET, STARTER DRIVE	1	
		3	28251-KEV-900	SPINDLE, KICK STARTER	1	
3 SPINDLE, KICK STARTER.....	4.0	4	28262-041-731	RETAINER, KICK SPRING	1	
		5	28271-121-690	SPRING, STARTER PINION FRICTION	1	
6 SPRING, KICK STARTER RETURN.....	1.1	6	28281-035-003	SPRING, KICK STARTER (NIPPON HATSUJO)	1	
		7	90452-115-000	WASHER, 17MM	1	
		8	90454-107-000	WASHER, THRUST, 20MM	1	
		9	90605-200-000	SET RING, 20MM	2	
		10	94510-16000	CIRCLIP, EXTERNAL, 16MM	1	

E - 19
Carburetor



Service item	F.R.T.	No.	Part Number	Description	QTY ANF100 / ANF100D	Notes
2 NEEDLE, JET.....	0.8	1	16010-KRS-601	GASKET SET	1	
3 FLOAT OR FLOAT VALVE.....	0.6	2	16012-KTL-851	NEEDLE SET, JET	1	
4 TOP SET, CARBURETOR.....	0.4	3	16013-KEV-900	FLOAT SET	1	
5 CHAMBER, FLOAT.....	0.5	4	16014-KTL-741	TOP SET	1	
7 VALVE, THROTTLE.....	0.5	5	16015-KTL-741	CHAMBER SET, FLOAT	1	
12 VALVE, AIR CUT.....	0.2	6	16016-KTL-691	SCREW SET	1	
15 CARBURETOR ASSEMBLY.....	0.7	7	16022-KFM-901	VALVE SET, THROTTLE	1	
25 COCK ASSY., FUEL.....	0.3	8	16028-KFM-901	SCREW SET	1	
33 JET, MAIN.....	0.6	9	16037-KRS-601	PLATE SET, VALVE	1	
		10	16040-KEV-900	GASKET SET	1	
		11	16041-GB5-D30	NUT SET, SQUARE	1	
		12	16048-KPH-901	VALVE SET, AIR CUT	1	
		13	16075-GHB-B40	O-RING, 2.4X25	1	
		14	16075-GHB-640	O-RING, 1.3X4.3	2	
		15	16100-KTL-691	CARBURETOR ASSY. (PB5JD A)	1	
		16	16118-KTL-741	CAP, CABLE SEALING	1	
		17	16148-141-881	CAP, CHOKE DUST	1	
		18	16155-KRS-861	VALVE COMP., FLOAT	1	
		19	16163-GBG-960	GASKET, FLOAT CHAMBER	1	
		20	16165-KTL-741	HOLDER, NEEDLE JET	1	

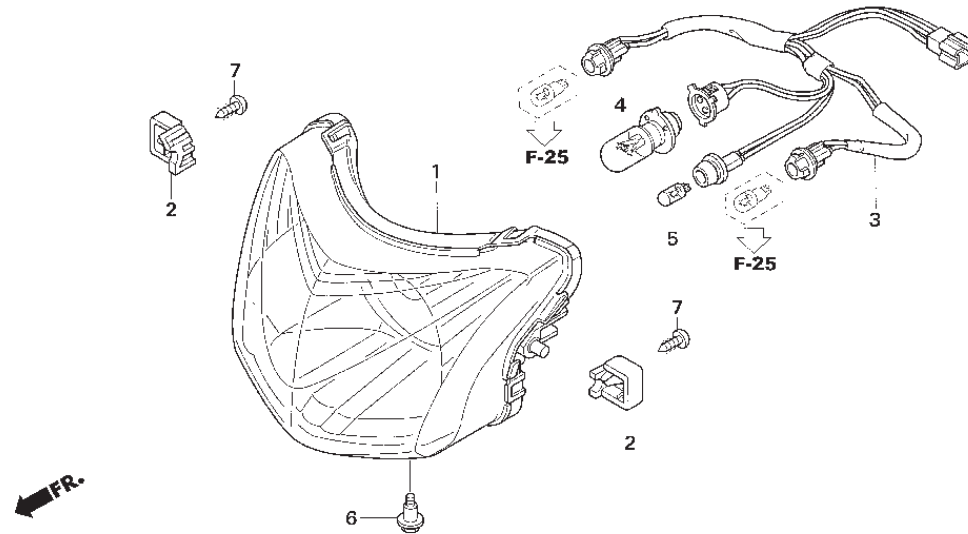
E - 19 Carburetor



Service item	F.R.T.	No.	Part Number	Description	QTY ANF100 / ANF100D	Notes
		21	16175-GB0-911	CUP, FUEL STRAINER	1	
		22	16176-GB0-911	SCREEN, FUEL STRAINER	1	
		23	16199-KTL-741	TUBE, AIR VENT	1	
		24	16199-428-771	TUBE, OVERFLOW	1	
		25	16951-KPW-901	BODY SET, COCK	1	
		26	16963-KPW-901	LEVER SET, COCK	1	
		27	93892-03012-18	SCREW-WASHER, 3X12	2	
		28	93892-04010-18	SCREW-WASHER, 4X10	2	
		29	93892-04018-18	SCREW-WASHER, 4X18	2	
		30	93892-05010-18	SCREW-WASHER, 5X10	1	
		31	95002-02089	CLIP, TUBE (B8)	1	
		32	95002-02659	CLIP, TUBE (B6.5)	1	
		33	99101-KRL-0720	JET, MAIN, #72	1	
		34	99103-KFM-0420	JET, SLOW, #42	1	

F - 1

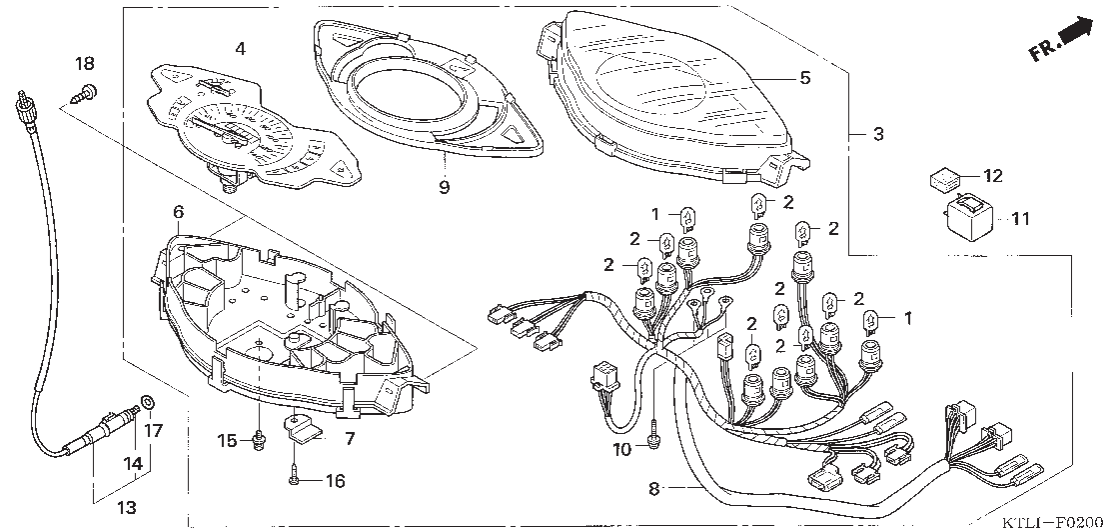
Headlight



KTLI-F0100

Service item	F.R.T.	No.	Part Number	Description	QTY ANF100 / ANF100D	Notes
1 HEADLIGHT UNIT.....	0.4	1	33110-KTL-690	HEADLIGHT UNIT	1	
3 SOCKET, HEADLIGHT.....	0.3	2	33118-KTL-741	BRACKET, HEADLIGHT	2	
4 BULB, HEADLIGHT.....	0.3	3	33130-KTL-690	SOCKET COMP., HEADLIGHT	1	
.NOTE: Same time for two units						
		4	34901-GT4-003	BULB, HEADLIGHT (12V 30/30W) (STANLEY)	1	
		5	34908-GA7-701	BULB, WEDGE BASE (T10) (12V 3.4W)	1	
		6	90101-GJ6-000	BOLT, ADJUSTING	1	
		7	93903-34380	SCREW, TAPPING, 4X12	2	

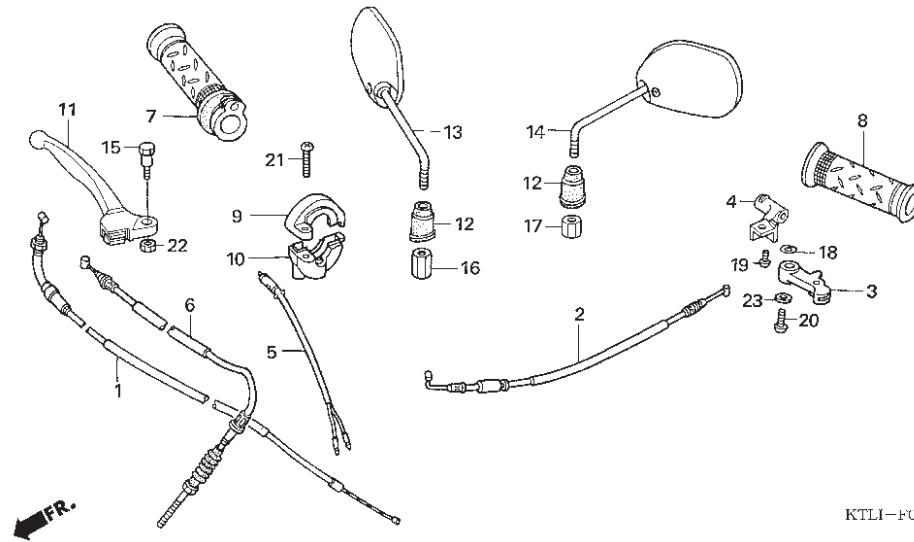
F - 2 Meter



Service item	F.R.T.	No.	Part Number	Description	QTY	Notes
					ANF100 / ANF100D	
1 HEADLIGHT UNIT.....	0.4	1	34908-GA7-701	BULB, WEDGE BASE (T10) (12V 3.4W)	2	
3 SOCKET, HEADLIGHT.....	0.3	2	34908-MB9-871	BULB, WEDGE BASE (12V 1.7W)	8	
4 BULB, HEADLIGHT.....	0.3	3	37200-KTL-690	SPEEDOMETER ASSY.	1	----- DRUM BRAKE
			37200-KTL-700	SPEEDOMETER ASSY.	1	----- DISK BRAKE
			37210-KTL-691	SPEEDOMETER COMP.	1	
			37211-KTL-691	LENS	1	
			37212-KTL-691	CASE ASSY.	1	
			37213-KPW-901	HOLDER, WINKER RELAY	1	
			37224-KTL-691	SOCKET COMP.	1	----- DRUM BRAKE
			37224-KTL-701	SOCKET COMP.	1	----- DISK BRAKE
			37302-KTL-741	PLATE ASSY., REFLECTING	1	
			37305-KE5-008	SCREW-WASHER, 3X22	3	
			38301-GBG-911	RELAY COMP., WINKER	1	
			38306-KK4-000	SUSPENSION, WINKER RELAY (MITSUBA)	1	
			44830-KTL-690	CABLE COMP., SPEEDOMETER	1	
			44831-KPH-650	CABLE, INNER	1	
			90035-166-008	SCREW-WASHER, SPECIAL, 4X10	2	
			90101-KY6-008	SCREW, TAPPING, 3X14	1	
			91352-671-003	O-RING, 8.5X1.5 (ARAI)	1	
			91352-671-004	O-RING, 8.5X1.5 (NOK)	1	
			93903-25310	SCREW, TAPPING, 5X16	2	

F - 3

Handle Lever / Cable

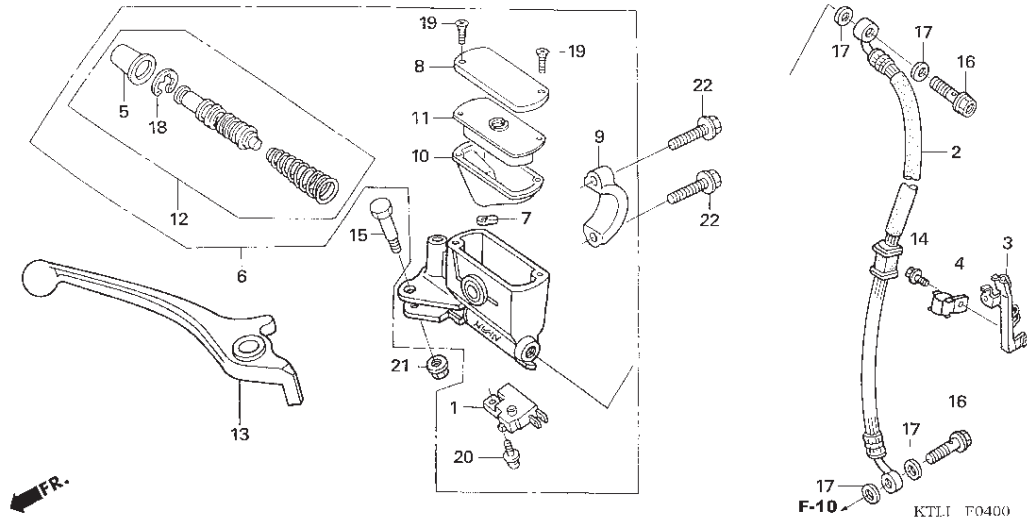


KTLI-F0300

Service item	F.R.T.	No.	Part Number	Description	QTY		Notes
					ANF100	ANF100D	
1 CABLE, THROTTLE.....	0.6	1	17910-KTL-690	CABLE COMP., THROTTLE	1	1	
2 CABLE, CHOKE.....	0.4	2	17950-KFL-D00	CABLE COMP., CHOKE	1	1	
3 LEVER, CHOKE :HANDLE SIDE.....	0.1	3	17961-KFM-900	LEVER, CHOKE	1	1	
5 SWITCH, FRONT STOP.....	0.4	4	17962-KTM-850	STOPPER, CABLE	1	1	
6 CABLE, FRONT BRAKE.....	0.5	5	35340-KPH-900	SWITCH ASSY., FR. STOP	1	-	DRUM BRAKE
7 GRIP, THROTTLE.....	0.4	6	45450-KPH-670	CABLE COMP., FR. BRAKE	1	-	DRUM BRAKE
8 GRIP, HANDLE :LEFT.....	0.1	7	53140-KPH-970	GRIP COMP., THROTTLE	1	1	
10 HOUSING, THROTTLE.....	0.4	8	53166-KFL-D20	GRIP, L. HANDLE	1	1	
11 LEVER, HANDLE :RIGHT.....	0.3	9	53167-KFM-900	HOUSING, UPPER THROTTLE	1	1	
LEVER, HANDLE :BOTH.....	0.4	10	53168-KFM-900	HOUSING, UNDER THROTTLE	1	1	
		11	53175-KET-920	LEVER, R. STEERING HANDLE	1	-	DRUM BRAKE
		12	88113-KET-900	CAP, LOCK NUT	2	2	
		13	88110-KTL-690	MIRROR COMP., R.	1	1	
		14	88120-KTL-690	MIRROR COMP., L.	1	1	
		15	90115-KRS-690	BOLT, HANDLE LEVER PIVOT	1	-	DRUM BRAKE
		16	90314-KFM-900	NUT, LOCK	1	1	
		17	90314-KRS-690	NUT, LOCK	1	1	
		18	90442-147-000	WASHER, WAVE	1	1	
		19	93500-05010-0G	SCREW, PAN, 5X10	1	1	
		20	93500-05012-0G	SCREW, PAN, 5X12	1	1	
		21	93500-05025-0G	SCREW, PAN, 5X25	1	1	
		22	94001-05000-0S	NUT, HEX., 5MM	1	-	DRUM BRAKE
		23	94103-05700	WASHER, PLAIN, 5MM	1	1	

F - 4

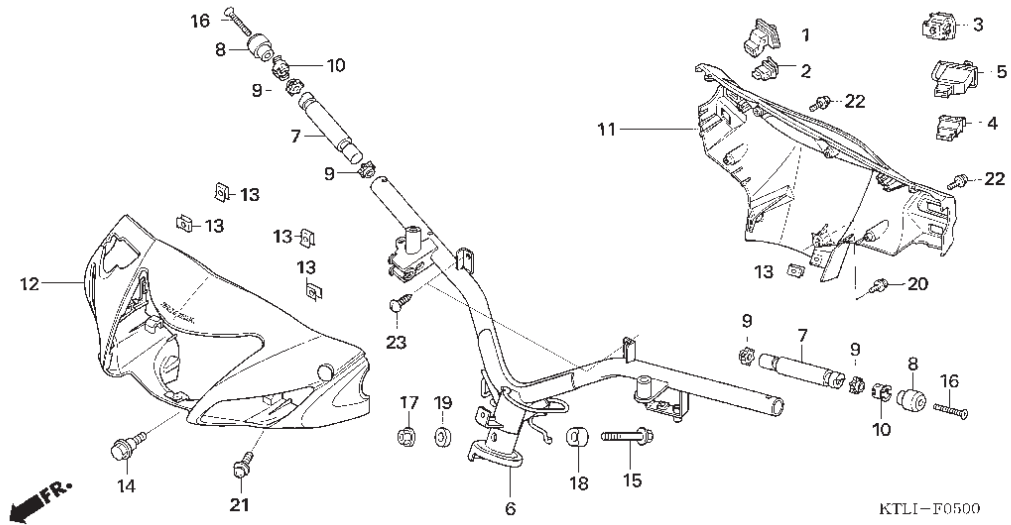
Fr. Brake Master Cylinder



Service item	F.R.T.	No.	Part Number	Description	QTY		Notes
					ANF100 / ANF100D		
1 SWITCH, FRONT STOP.....	0.3	1	35340-MA5-671	SWITCH ASSY., FR. STOP	-	1	
2 HOSE, FRONT BRAKE.....	0.7	2	45126-KTM-851	HOSE COMP., FR. BRAKE	-	1	
.INCLUDES: Bleed brakes		3	45156-KTL-750	CLAMPER, BRAKE HOSE	-	1	
6 CYLINDER, FRONT BRAKE MASTER	0.7	4	45157-KAN-850	CLAMPER B, BRAKE HOSE	-	1	
.INCLUDES: Bleed brakes		5	45504-410-003	BOOT COMP.	-	1	
10 DIAPHRAGM, FRONT BRAKE MASTER		6	45500-KPH-880	CYLINDER SUB ASSY., FR. BRAKE MASTER	-	1	
CYLINDER.....	0.1	7	45512-MA6-006	PROTECTOR	-	1	
12 PISTON SET, FRONT BRAKE MASTER	0.7	8	45513-GW0-911	CAP, MASTER CYLINDER	-	1	
.INCLUDES: Bleed brakes		9	45517-GW0-751	HOLDER, MASTER CYLINDER	-	1	
13 LEVER, HANDLE :RIGHT.....	0.3	10	45520-GW0-911	DIAPHRAGM	-	1	
LEVER, HANDLE :BOTH.....	0.4	11	45521-GW0-752	PLATE, DIAPHRAGM	-	1	
		12	45530-471-831	CYLINDER SET, MASTER	-	1	
		13	53175-KET-921	LEVER, R. STEERING HANDLE	-	1	
		14	90102-KGH-900	BOLT, FLANGE, 6X10	-	1	
		15	90114-KGH-900	BOLT, HANDLE LEVER PIVOT	-	1	
		16	90145-KM3-751	BOLT, OIL, 10X22 (SAGA)	-	2	
		17	90545-300-000	WASHER, OIL BOLT	-	4	
		18	90651-MA5-671	CIRCLIP	-	1	
		19	93600-04012-1G	SCREW, FLAT, 4X12	-	2	
		20	93893-04012-17	SCREW-WASHER, 4X12	-	1	
		21	94050-06000	NUT, FLANGE, 6MM	-	1	
		22	95701-06022-07	BOLT, FLANGE, 6X22	-	2	

F - 5

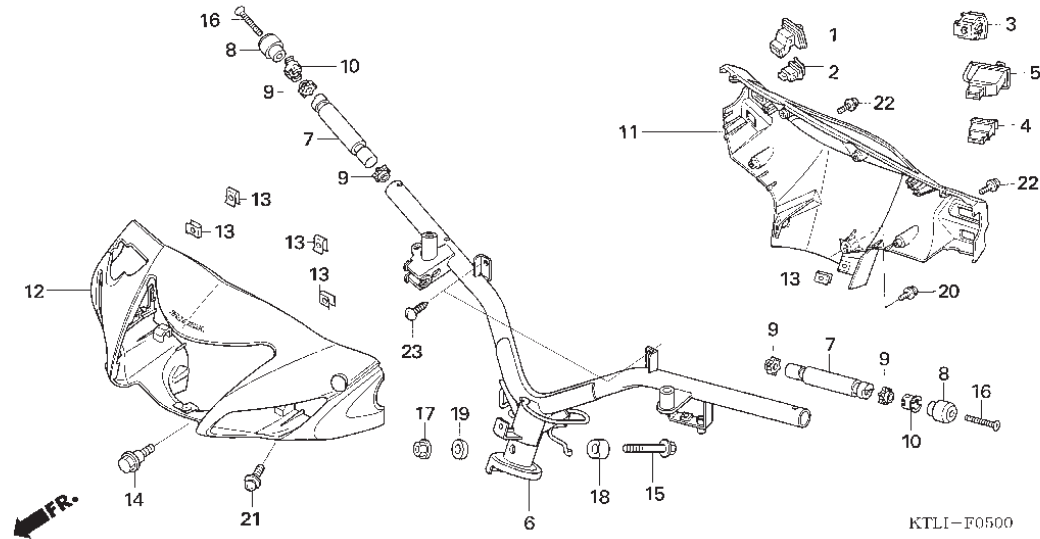
Handle Pipe / Handle Cover / Switch



Service item	F.R.T.	No.	Part Number	Description	QTY ANF100 / ANF100D	Notes
1 SWITCH, LIGHTING	0.4	1	35150-KPH-880	SWITCH UNIT, LIGHTING	1	
2 SWITCH, STARTER	0.4	2	35160-KPH-881	SWITCH UNIT, STARTING	1	
3 SWITCH, DIMMER	0.4	3	35170-KPH-651	SWITCH UNIT, DIMMER	1	
4 SWITCH, HORN	0.4	4	35180-KPH-881	SWITCH UNIT, HORN	1	
5 SWITCH, WINKER	0.4	5	35200-KPH-901	SWITCH UNIT, WINKER	1	
6 PIPE, STEERING HANDLE	0.9	6	53100-KTL-740	PIPE COMP., STEERING HANDLE	1	----- DRUM BRAKE
			53100-KTL-750	PIPE COMP., STEERING HANDLE	1	----- DISK BRAKE
7 WEIGHT B, HANDLE :LEFT	0.2	7	53104-KPH-950	WEIGHT B, STEERING HANDLE	2	
WEIGHT B, HANDLE :RIGHT	0.2					
WEIGHT B, HANDLE :BOTH	0.4	7	53104-KPH-950	WEIGHT B, STEERING HANDLE	2	
11 COVER, HANDLE :REAR	0.6	8	53105-KPH-950	WEIGHT A, STEERING HANDLE	2	
COVER, HANDLE :BOTH	0.8	9	53106-KR3-000	RUBBER A, HANDLE WEIGHT	4	
12 COVER, HANDLE :FRONT	0.5	10	53108-KR3-770	RING, HANDLE WEIGHT SNAP	2	
COVER, HANDLE :BOTH	0.8	11	53206-KTL-690	COVER, RR. HANDLE	1	
		12	53205-KTL-690FMB	COVER SET, HANDLE FR. (WL)*NH1* BLACK	1	----- DRUM BRAKE
			53205-KTL-690FMH	*NH131M* STARLIGHT SILVER METALLIC	1	----- DRUM BRAKE
			53205-KTL-690FMT	*PB314P* PEARL TWISTER BLUE	1	----- DRUM BRAKE
			53205-KTL-700FMB	*NH1* BLACK	1	----- DISK BRAKE
		13	64521-MN5-000	NUT, CLIP, 4MM	6	
		14	90103-KPH-720	BOLT, FR. HANDLE COVER	1	
		15	90106-GN5-900	BOLT, FLANGE, 10X50	1	

F - 5

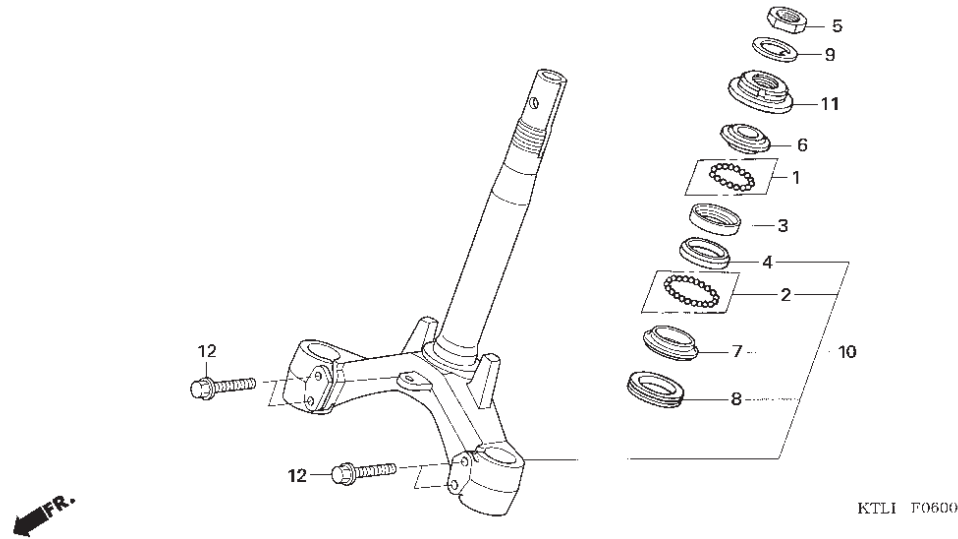
Handle Pipe / Handle cover / Switch



Service item	F.R.T.	No.	Part Number	Description	QTY ANF100 / ANF100D	Notes
1 SWITCH, LIGHTING.....	0.4	16	90191-KPP-900	SCREW, OVAL, 6X50	2	
2 SWITCH, STARTER.....	0.4	17	90304-KGH-901	NUT, U, 10MM	1	
3 SWITCH, DIMMER.....	0.4	18	90501-KPH-880	COLLAR A, HANDLE SETTING	1	
4 SWITCH, HORN.....	0.4	19	90505-KPH-880	COLLAR B, HANDLE SETTING	1	
5 SWITCH, WINKER.....	0.4	20	91509-GE2-760	SCREW, PAN, 5X11.5	1	
6 PIPE, STEERING HANDLE.....	0.9					
7 WEIGHT B, HANDLE :LEFT.....	0.2	21	93891-04016-07	SCREW-WASHER, 4X16	2	
WEIGHT B, HANDLE :RIGHT.....	0.2	22	93891-04020-07	SCREW-WASHER, 4X20	4	
WEIGHT B, HANDLE :BOTH.....	0.4	23	93903-34380	SCREW, TAPPING, 4X12	2	
11 COVER, HANDLE :REAR.....	0.6					
COVER, HANDLE :BOTH.....	0.8					
12 COVER, HANDLE :FRONT.....	0.5					
COVER, HANDLE :BOTH.....	0.8					

F - 6

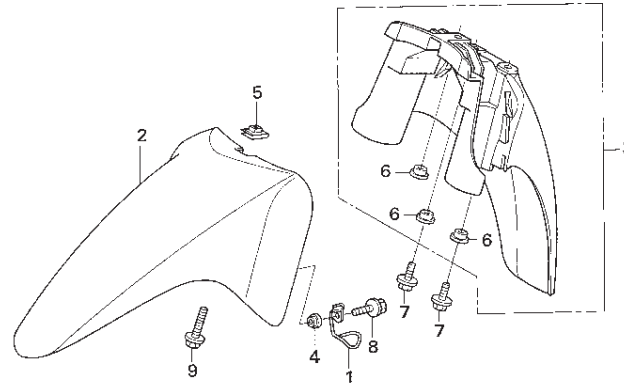
Steering Stem



Service item	F.R.T.	No.	Part Number	Description	QTY ANF100 / ANF100D	Notes
3 RACE, STEERING BALL :UPPER.....	1.2	1	06530-GBG-B20	BALL SET, STEEL, #6X23	1	
RACE, STEERING BALL :BOTH.....	1.2	2	06531-GBG-B20	BALL SET, STEEL, #6X29	1	
4 RACE, STEERING BALL :LOWER.....	1.2	3	50301-KPH-720	RACE, STEERING TOP BALL	1	
RACE, STEERING BALL :BOTH.....	1.2	4	50302-KPH-720	RACE, STEERING BOTTOM BALL	1	
6 RACE, STEERING TOP CONE.....	0.6	5	50306-GN5-900	NUT, STEERING STEM LOCK	1	
7 RACE, STEERING BOTTOM CONE.....	1.3	6	53211-KPH-720	RACE, STEERING TOP CONE	1	
10 STEM OR SHAFT ASSY., STEERING....	1.2	7	53212-KPH-720	RACE, STEERING BOTTOM CONE	1	
11 THREAD, STEERING HEAD TOP.....	0.6	8	53214-GN5-900	DUST SEAL, STEERING HEAD	1	
		9	53216-GN5-830	WASHER, STEERING STEM NUT	1	
		10	53200-KTM-850	STEM SUB ASSY., STEERING	1	
		11	53220-GN5-900	THREAD COMP., STEERING HEAD TOP	1	
		12	95801-10045-00	BOLT, FLANGE, 10X45	4	

F - 7

Front Fender

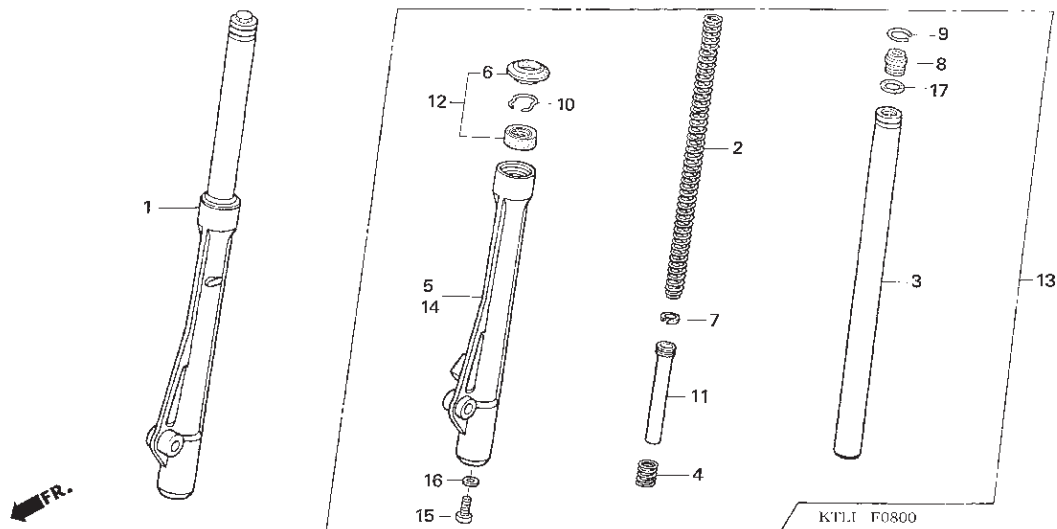


KTLI F0700

Service item	F.R.T.	No.	Part Number	Description	QTY ANF100 / ANF100D	Notes
2 FENDER A, FRONT .NOTE: Same time for two units	0.3	1	45465-KTL-740	GUIDE, FR. BRAKE CABLE	1	
		2	61100-KTL-690FMB	FENDER A, FR. *NH1* BLACK	1	
3 FENDER B, FRONT .NOTE: Same time for two units	0.3	3	61200-KTL-690	FENDER B, FR.	1	
		4	81312-KPH-900	COLLAR, FR. FENDER	2	
		5	84601-HA7-670	NUT, FENDER SETTING	1	
		6	90503-KBP-900	COLLAR, MAIN SIDE COVER	3	
		7	96001-06014-00	BOLT, FLANGE, 6X14	2	
		8	96001-06016-00	BOLT, FLANGE, 6X16	2	
		9	96001-06025-00	BOLT, FLANGE, 6X25	1	

F - 8

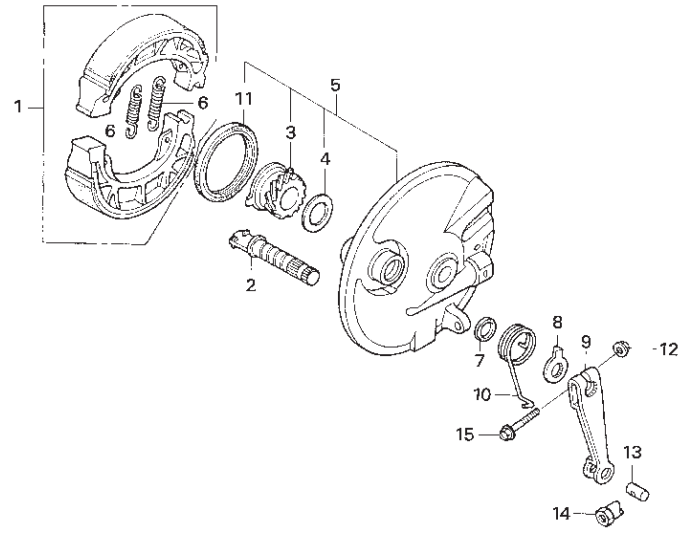
Front Fork



Service item	F.R.T.	No.	Part Number	Description	QTY ANF100 / ANF100D	Notes
1 FORK ASSY., FRONT :RIGHT.....	0.5	1	51400-KTM-850	FORK ASSY., R. FR.	1 -----	DISK BRAKE
FORK ASSY., FRONT :BOTH.....	0.7		51400-KTM-860	FORK ASSY., R. FR.	1 -----	DRUM BRAKE
2 SPRING, FRONT FORK :LEFT.....	0.7	2	51401-KPH-881	SPRING, FR. FORK	2	
SPRING, FRONT FORK :RIGHT.....	0.7	3	51410-KTM-881	PIPE COMP., FR. FORK	2	
SPRING, FRONT FORK :BOTH.....	1.0	4	51412-GN5-901	SPRING, REBOUND	2	
3 PIPE, FRONT FORK :LEFT.....	0.8	5	51420-KPH-881	CASE, R. FR. BOTTOM	1 -----	DISK BRAKE
PIPE, FRONT FORK :RIGHT.....	0.8		51420-KPH-891	CASE, R. FR. BOTTOM	1 -----	DRUM BRAKE
PIPE, FRONT FORK :BOTH.....	1.3	6	51425-GN5-901	DUST SEAL	2	
5 CASE, BOTTOM :RIGHT.....	0.9	7	51437-KGH-901	RING, PISTON	2	
CASE, BOTTOM :BOTH.....	1.5	8	51454-KEV-881	SEAT B, SPRING	2	
12 SEAL SET, FRONT FORK :LEFT.....	0.8	9	51456-KPH-901	RING, STOPPER	2	
SEAL SET, FRONT FORK :RIGHT.....	0.8	10	51466-065-901	RING, OIL SEAL STOPPER	2	
SEAL SET, FRONT FORK :BOTH.....	1.3	11	51470-KPH-901	PIPE, SEAT	2	
13 FORK ASSY., FRONT :LEFT.....	0.5	12	51490-KGH-901	SEAL SET, FR. FORK	2	
FORK ASSY., FRONT :BOTH.....	0.7	13	51500-KTL-700	FORK ASSY., L. FR.	1 -----	DISK BRAKE
14 CASE, BOTTOM :LEFT.....	0.9		51500-KTM-860	FORK ASSY., L. FR.	1 -----	DRUM BRAKE
CASE, BOTTOM :BOTH.....	1.5	14	51520-KPH-891	CASE, L. FR. BOTTOM	1 -----	DRUM BRAKE
			51520-KTL-700	CASE, L. FR. BOTTOM	1 -----	DISK BRAKE
		15	90116-KV3-701	BOLT, SOCKET, 8MM	2	
		16	90544-283-000	WASHER, SPECIAL, 8MM	2	
		17	91356-GM0-003	O-RING	2	

F - 9

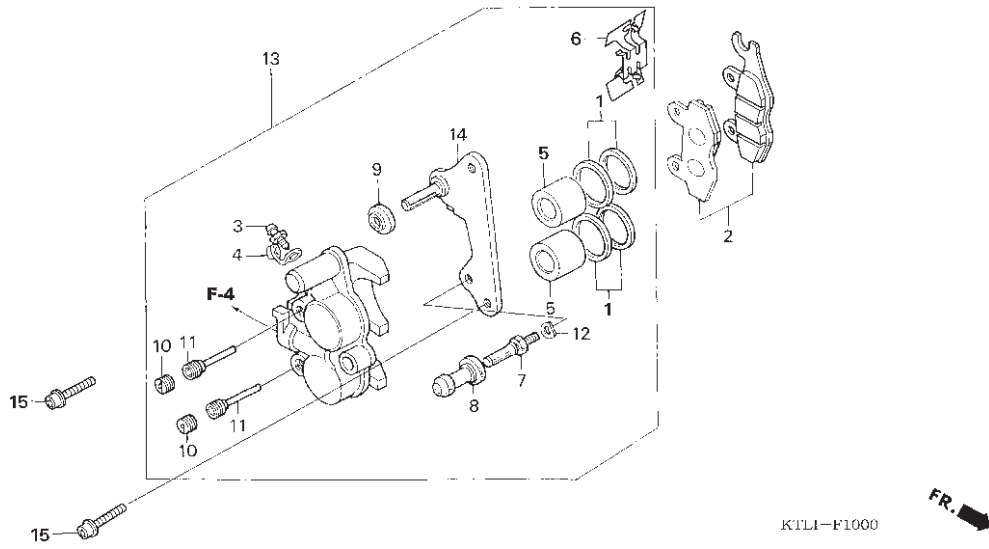
Front Brake Panel



Service item	F.R.T.	No.	Part Number	Description	QTY		Notes
					ANF100 / ANF100D		
1 SHOE(PAD) SET, BRAKE :FRONT.....	0.3	1	06430-KPH-900	SHOE SET, BRAKE	1	--	
2 CAM, BRAKE :FRONT.....	0.4	2	43141-KTM-850	CAM, RR. BRAKE	1	--	
3 GEAR, SPEEDOMETER.....	0.3	3	44806-KFM-901	GEAR, SPEEDOMETER	1	--	
5 PANEL, FRONT BRAKE.....	0.4	4	44809-KFM-900	WASHER, SPEEDOMETER GEAR	1	--	
9 ARM, BRAKE :FRONT.....	0.1	5	45010-KPW-900	PANEL SUB COMP., FR. BRAKE	1	--	
				NH255M SHIMMER SILVER METALLIC	1	--	
		6	45133-028-000	SPRING, BRAKE SHOE	2	--	
		7	45134-250-000	DUST SEAL, BRAKE CAM	1	--	
		8	45145-KTM-860	INDICATOR, FR. BRAKE	1	--	
		9	45410-KTM-860	ARM, FR. BRAKE	1	--	
		10	45435-121-010	SPRING, FR. BRAKE ARM RETURN	1	--	
		11	91251-KFM-901	OIL SEAL, 42X54X7	1	--	
		12	94050-06000	NUT, FLANGE, 6MM	1	--	
		13	95015-32001	JOINT B, BRAKE ARM	1	--	
		14	95015-42000	NUT B, BRAKE ROD ADJUSTING	1	--	
		15	95701-06028-00	BOLT, FLANGE, 6X28	1	--	

F - 10

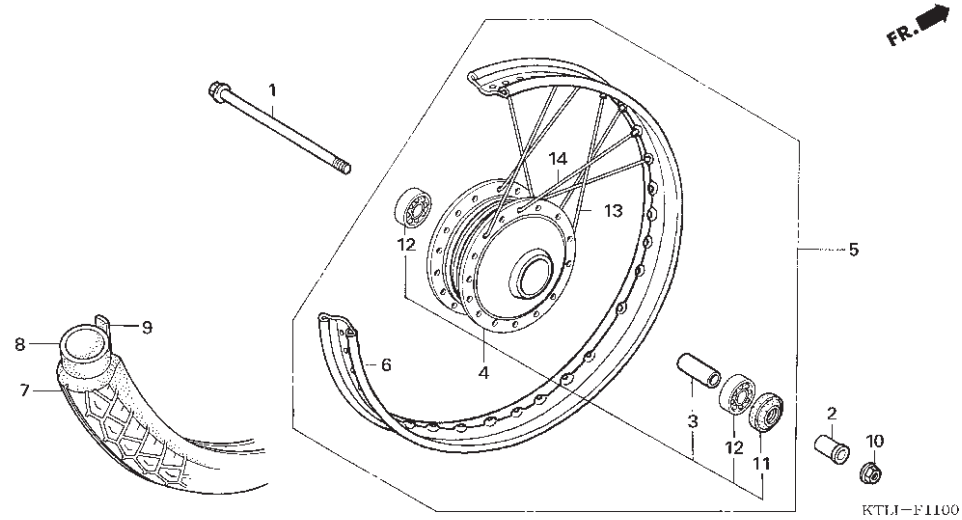
Front Brake Caliper



Service item	F.R.T.	No.	Part Number	Description	QTY		Notes
					ANF100	ANF100D	
2 SHOE(PAD) SET, BRAKE :FRONT.....	0.1	1	06451-GE2-405	SEAL SET, PISTON	--	2	
5 PISTON, FRONT BRAKE CALIPER.....	0.5	2	06455-KW6-843	PAD SET, FR.	--	1	
.INCLUDES: Bleed brakes		3	43352-568-003	SCREW, BLEEDER (NISSIN)	--	1	
13 CALIPER, FRONT BRAKE.....	0.4	4	43353-461-771	CAP, BLEEDER	--	1	
.INCLUDES: Bleed brakes		5	45107-MN5-006	PISTON	--	2	
14 BRACKET, FRONT CALIPER.....	0.2	6	45108-ML4-006	SPRING, PAD	--	1	
		7	45131-GZ0-006	BOLT, PIN	--	1	
		8	45132-166-016	BOOT, PIN BUSH (NISSIN)	--	1	
		9	45133-MA3-006	BOOT B	--	1	
		10	45203-MG3-016	PLUG, PIN	--	2	
		11	45215-KA3-732	PIN, HANGER	--	2	
		12	45216-166-006	WASHER, WAVE	--	1	
		13	45200-KPH-882	CALIPER SUB ASSY., R. FR. BRAKE (NISSIN)	--	1	
		14	45290-KEV-651	BRACKET SUB ASSY., R. FR. CALIPER	--	1	
		15	90131-KPH-880	BOLT, TORX, 8X25	--	2	

F - 11

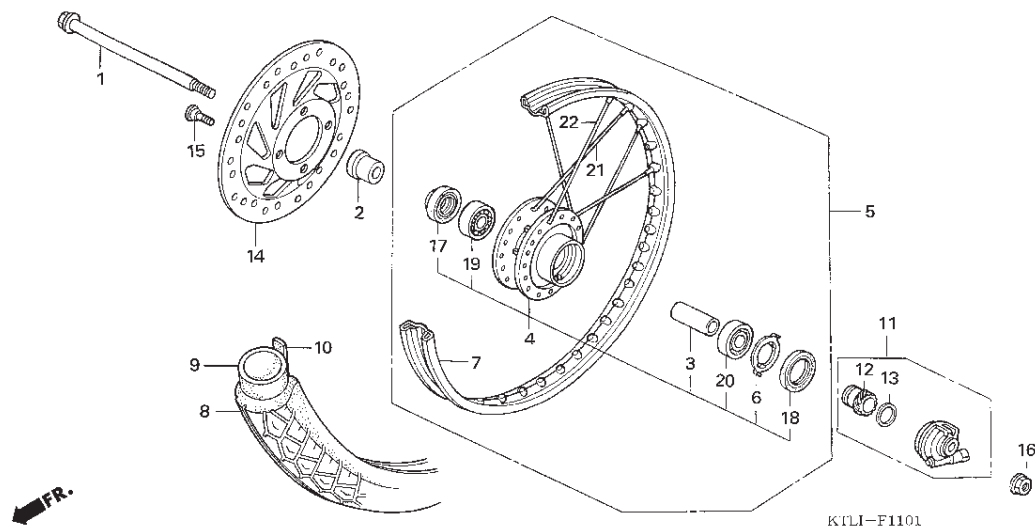
Front Wheel (Drum)



Service item	F.R.T.	No.	Part Number	Description	QTY		Notes
					ANF100 / ANF100D		
1 AXLE, FRONT WHEEL.....	0.2	1	44301-KPH-900	AXLE, FR. WHEEL	1	--	
4 HUB, FRONT WHEEL.....	2.3	2	44311-KPH-900	COLLAR, FR. WHEEL SIDE	1	--	
5 FRONT WHEEL.....	0.7	3	44620-400-000	COLLAR, FR. AXLE DISTANCE	1	--	
6 RIM, WHEEL :FRONT.....	2.2	4	44601-KPH-900	HUB SUB ASSY., FR.			
7 FRONT TIRE(ONE).....	0.7			*NH255M* SHIMMER SILVER METALLIC	1	--	
8 TUBE, FRONT TIRE(ONE).....	0.7	5	44650-KPH-890ZB	WHEEL SUB ASSY., FR.			
12 BEARING, FRONT WHEEL(ONE).....	0.4			*NH255M* SHIMMER SILVER METALLIC	1	--	
.Replace 1 bearing add 0.1							
		6	44701-KPH-880	RIM, FR. WHEEL	1	--	
		7	44711-KTM-850	TIRE, FR. (SRI) (70/90-17 M/C 38P)	1	--	
		8	42712-GBG-881	TUBE, TIRE (80/90-17)	1	--	
		9	42713-GBG-881	FLAP, TIRE	1	--	
		10	90306-KGH-901	NUT, U, 12MM	1	--	
		11	91251-KPH-901	DUST SEAL, 21X37X7	1	--	
		12	HB6201	BEARING, RADIAL BALL, 6201U	2	--	
		13	111-160	SPOKE SET , 11X160	36	--	

F - 11 - 1

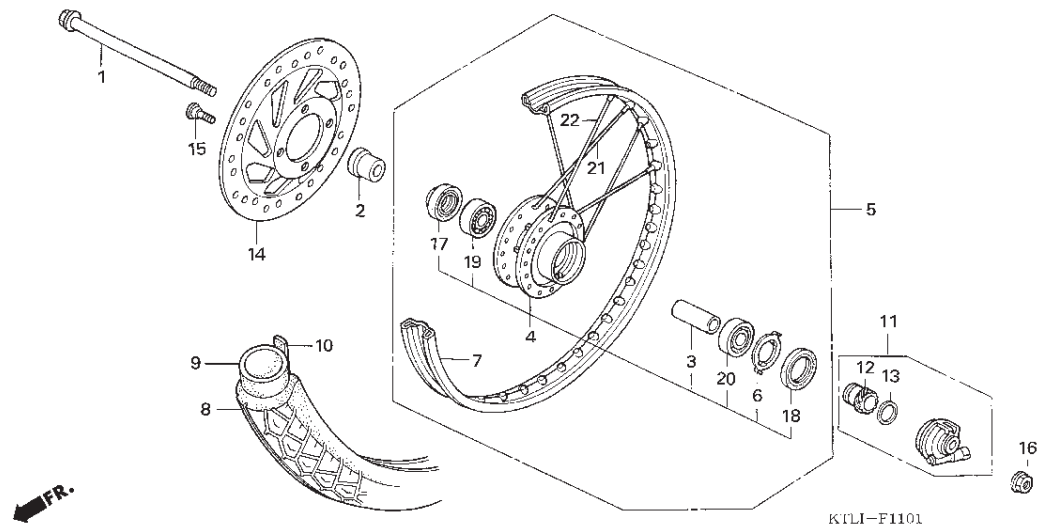
Front Wheel (Disk)



Service item	F.R.T.	No.	Part Number	Description	QTY		Notes
					ANF100	ANF100D	
1 AXLE, FRONT WHEEL	0.2	1	44301-KPH-900	AXLE, FR. WHEEL	--	1	
4 HUB, FRONT WHEEL.....	2.3	2	44311-KPH-900	COLLAR, FR. WHEEL SIDE	--	1	
5 FRONT WHEEL.....	0.8	3	44620-KPH-650	COLLAR, FR. AXLE DISTANCE	--	1	
7 RIM, WHEEL :FRONT.....	2.2	4	44601-KPH-650	HUB SUB ASSY., FR.			
8 FRONT TIRE(ONE).....	0.7			*NH255M* SHIMMER SILVER METALLIC	--	1	
9 TUBE, FRONT TIRE(ONE).....	0.7	5	44650-KTL-700ZA	WHEEL SUB ASSY., FR.			
GEARBOX ASSY., SPEEDOMETER....	0.2			*NH255M* SHIMMER SILVER METALLIC	--	1	
14 DISC, FRONT BRAKE.....	0.3	6	44680-166-000	RETAINER, GEAR BOX	--	1	
19 BEARING, FRONT WHEEL(ONE).....	0.4	7	44701-KPH-880	RIM, FR. WHEEL	--	1	
.Replace 1 bearing add 0.1		8	44711-KTM-850	TIRE, FR. (SRI) (70/90-17 M/C 38P)	--	1	
		9	22517-250-170000	TUBE, TIRE (SRI) (70/90-17)	--	1	
		10	44713-KTM-850	FLAP, TIRE (SRI) (17X1.40)	--	1	
		11	44800-KPH-651	BOX ASSY., SPEEDOMETER GEAR	--	1	
		12	44806-KGH-901	GEAR, SPEEDOMETER	--	1	
		13	44809-KFM-900	WASHER, SPEEDOMETER GEAR	--	1	
		14	45251-KTM-850	DISK, FR. BRAKE	--	1	
			45251-KTL-702	DISK, FR. BRAKE	--	1	
		15	90105-KGH-900	BOLT, BRAKE DISK, 8X24	--	4	

F - 11 - 1

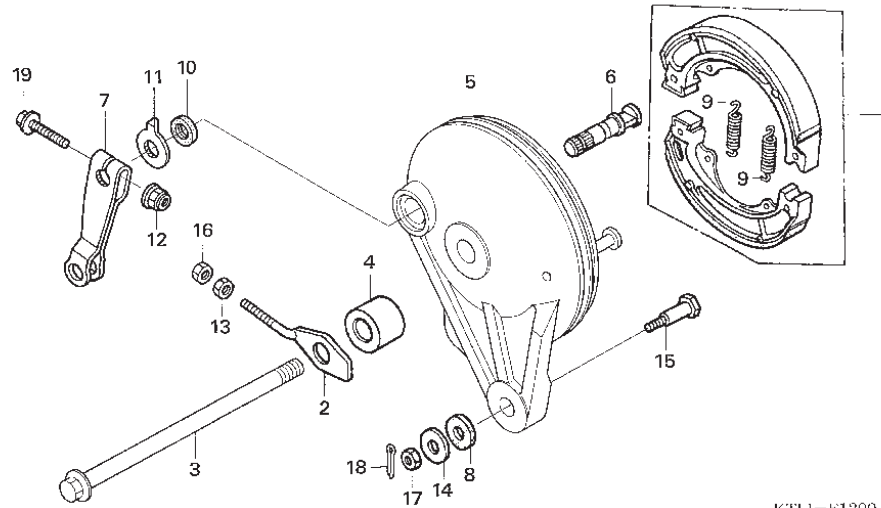
Front Wheel (Disk)



Service item	F.R.T.	No.	Part Number	Description	QTY		Notes
					ANF100	ANF100D	
		16	90306-KGH-901	NUT, U, 12MM	--	1	
		17	91251-KPH-901	DUST SEAL, 21X37X7	--	1	
		18	91258-KGH-902	DUST SEAL, 40X50X5 (NOK)	--	1	
			91258-410-013	DUST SEAL, 40X50X5 (ARAI)	--	1	
		19	96140-62010-10	BEARING, RADIAL BALL, 6201U	--	1	
		20	96140-63010-10	BEARING, RADIAL BALL, 6301U	--	1	
		21	1110-159NS	SPOKE SET (A11X183.5)	--	36	

F - 12

Rear Brake Panel

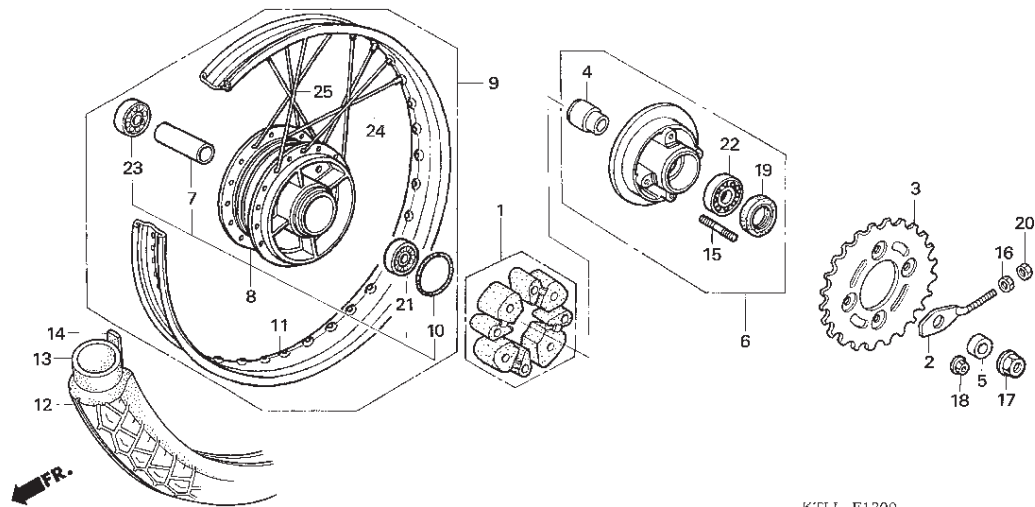


KTL1-F1200

Service item	F.R.T.	No.	Part Number	Description	QTY ANF100 / ANF100D	Notes
1 SHOE(PAD) SET, BRAKE :REAR.....	0.4	1	43125-KPH-903	SHOE SET, BRAKE	1	
3 AXLE, REAR WHEEL.....	0.3	2	40543-KEV-900	ADJUSTER, R. CHAIN	1	
5 PANEL, REAR BRAKE.....	0.5	3	42301-KPG-900	AXLE, RR. WHEEL	1	
7 ARM, BRAKE :REAR.....	0.1	4	42313-GBG-B20	COLLAR, RR. BRAKE PANEL SIDE	1	
		5	43100-KPH-700	PANEL COMP., RR. BRAKE *NH255M*.....SHIMMER SILVER METALLIC	1	
		6	43141-KTM-850	CAM, RR. BRAKE	1	
		7	43410-KPH-900	ARM, RR. BRAKE	1	
		8	43434-ME1-670	RUBBER, STOPPER ARM	1	
		9	45133-028-000	SPRING, BRAKE SHOE	2	
		10	45134-250-000	DUST SEAL, BRAKE CAM	1	
		11	45145-KFM-900	INDICATOR, FR. BRAKE	1	
		12	90301-KGH-901	NUT, U, 6MM	1	
		13	90302-KBP-900	NUT, SPECIAL, 6MM	1	
		14	90505-425-000	WASHER, 8MM	1	
		15	92811-10000	BOLT A, BRAKE STOPPER	1	
		16	94001-06000-0S	NUT, HEX., 6MM	1	
		17	94001-08000-0S	NUT, HEX., 8MM	1	
		18	94201-20150	PIN, SPLIT, 2.0X15	1	
		19	95701-06035-00	BOLT, FLANGE, 6X35	1	

F - 13

Rear Wheel

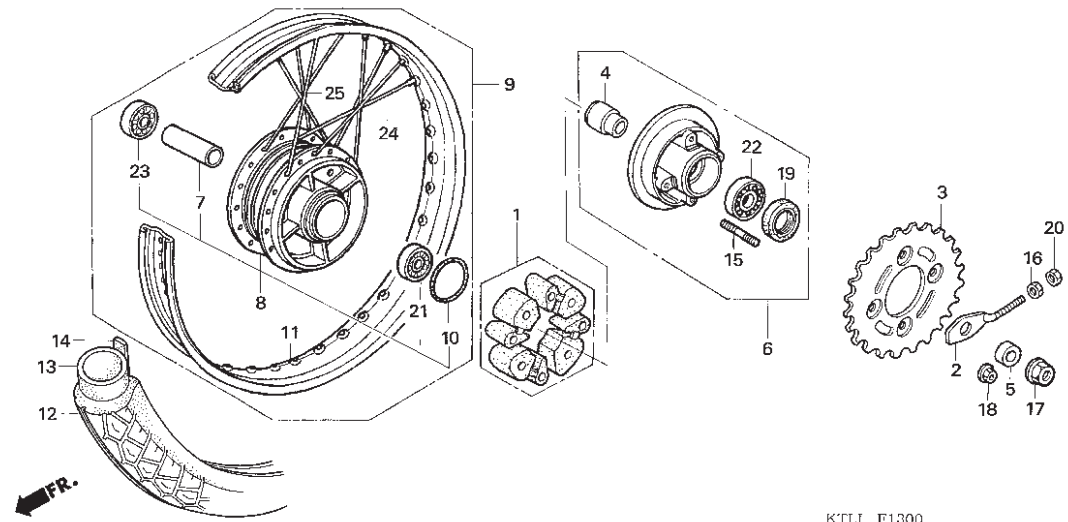


KTLI F1300

Service item	F.R.T.	No.	Part Number	Description	QTY ANF100 / ANF100D	Notes
1 DAMPER, REAR WHEEL.....	0.3	1	41241-KFL-850	DAMPER SET, WHEEL	1	
3 SPROCKET, FINAL DRIVEN.....	0.4	2	40543-KEV-900	ADJUSTER, R. CHAIN	1	
4 SLEEVE, REAR WHEEL.....	0.5	3	41201-KTL-700	SPROCKET, FINAL DRIVEN (35T)	1	
6 FLANGE ASSY., FINAL DRIVEN.....	0.4	4	42303-KAN-401	SLEEVE, RR. WHEEL	1	
8 HUB, REAR WHEEL.....	2.4	5	42304-KFM-900	COLLAR, RR. WHEEL SIDE	1	
9 REAR WHEEL.....	0.8	6	42615-KPH-880	FLANGE SUB ASSY., FINAL DRIVEN	1	
11 RIM, WHEEL :REAR.....	2.3	7	42620-KFL-851	COLLAR, RR. AXLE DISTANCE	1	
12 REAR TIRE(ONE).....	0.8	8	42635-KPH-900	HUB SUB ASSY., RR.		
13 TUBE, REAR TIRE(ONE).....	0.8			*NH255M* SHIMMER SILVER METALLIC	1	
21 BEARING, REAR WHEEL(ONE).....	0.5	9	42650-KPH-880	WHEEL SUB ASSY., RR.		
.Replace 1 bearing add.....	0.1			*NH255M* SHIMMER SILVER METALLIC	1	
22 BEARING, FINAL DRIVEN FLANGE....	0.5	10	42653-001-004	O-RING, 40.5X3 (NIPPON DUST KEEPER)	1	
		11	42701-383-701	RIM, RR. WHEEL (1.60x17)	1	
		12	42711-KTM-850	TIRE, RR. (80/90-17)	1	
		13	27517-0000-00000	TUBE, TIRE (2.75-17) FR135	1	
		14	42713-KTM-850	FLAP, TIRE (17x1.60)	1	
		15	90128-KFM-900	BOLT, STUD, 8x19.5	4	
		16	90302-KBP-900	NUT, SPECIAL, 6MM	1	
		17	90306-KGH-901	NUT, U, 12MM	1	
		18	90309-357-000	NUT, HEX., 8MM	4	
		19	91251-KPH-881	DUST SEAL, 27x40x4.5	1	
		20	94001-06000-0S	NUT, HEX., 6MM	1	

F - 13

Rear Wheel

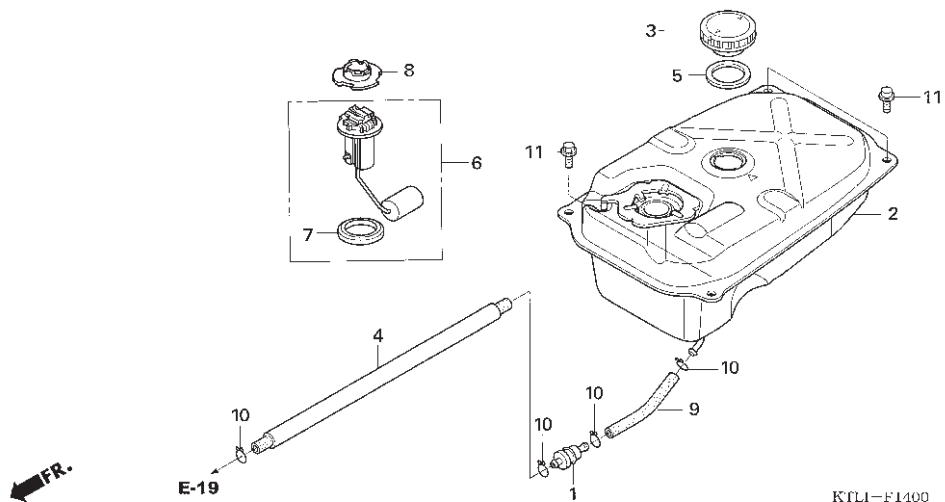


KTLI F1300

Service item	F.R.T.	No.	Part Number	Description	QTY ANF100 / ANF100D	Notes
		21	96140-62010-10	BEARING, RADIAL BALL, 6201U	1	
		22	96140-62030-10	BEARING, RADIAL BALL, 6203U	1	
		23	96140-63010-10	BEARING, RADIAL BALL, 6301U	1	
		24	1110-159NS	SPOKE SET, 10X159	36	

F - 14

Fuel Tank

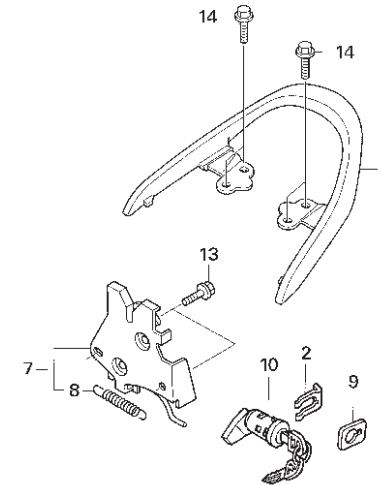
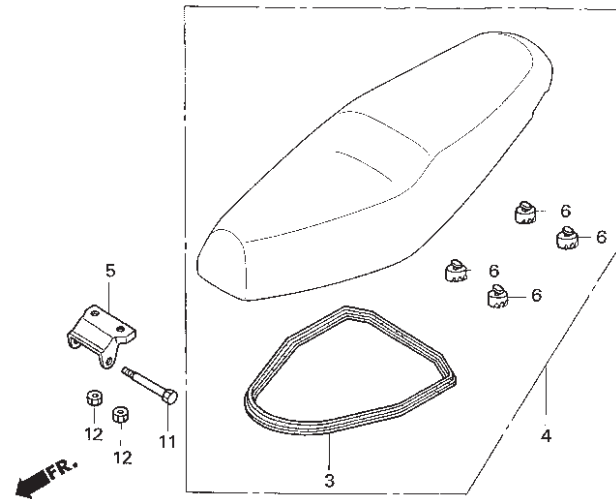


KILI-F1400

Service item	F.R.T.	No.	Part Number	Description	QTY ANF100 / ANF100D	Notes
1 STRAINER, FUEL.....	0.5	1	16910-KFM-902	STRAINER COMP., FUEL	1	
2 TANK, FUEL.....	0.6	2	17510-KTM-850	TANK COMP., FUEL	1	
6 METER, FUEL.....	0.2	3	17620-KEV-900	CAP, FUEL FILLER	1	
		4	17631-KTL-850	TUBE, FUEL, 5.3X600	1	
		5	17631-096-701	PACKING, FUEL FILLER CAP	1	
		6	37010-KTL-740	FUEL UNIT SET	1	
		7	37801-GA7-700	PACKING, BASE	1	
		8	37802-KTL-740	RETAINER, FUEL UNIT	1	
		9	95001-55040-40	TUBE, FUEL, 5.3X40 (95001-55001-60M)	1	
		10	95002-02100	CLIP, TUBE (B10)	4	
		11	95701-06012-00	BOLT, FLANGE, 6X12	4	

F - 15

Seat

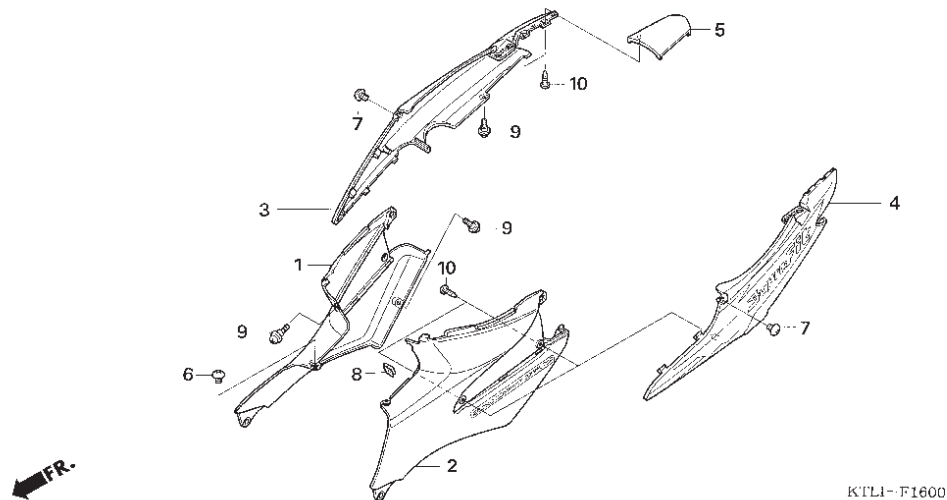


KTLI-F1500

Service item	F.R.T.	No.	Part Number	Description	QTY ANF100 / ANF100D	Notes
1 RAIL, GRAB :REAR.....	0.1	1	50400-KTL-740	RAIL, RR. GRAB	1	
4 SEAT :DOUBLE.....	0.1	2	75581-GN8-920	SPRING, LOCK KEY SETTING	1	
5 HINGE, SEAT.....	0.1	3	77115-KPH-900	RUBBER, SEAL	1	
7 CATCH, SEAT :REAR SIDE.....	0.6	4	77200-KTL-690	SEAT COMP., DOUBLE	1	
10 KEY, SEAT LOCK.....	0.5	5	77201-KPH-900	HINGE, SEAT	1	
		6	77214-KPH-900	RUBBER B, SEAT SETTING	4	
		7	77230-KTL-740	LOCK COMP., SEAT	1	
		8	77234-GN2-000	SPRING, SEAT LOCK	1	
		9	77236-GW0-000	WASHER, SEAT LOCK	1	
		10	77240-KTL-691	LOCK ASSY., SEAT	1	
		11	90105-KPH-900	BOLT, SEAT HINGE	1	
		12	94001-06070-0S	NUT, HEX., 6MM	2	
		13	95701-06012-00	BOLT, FLANGE, 6X12	2	
		14	95701-08020-00	BOLT, FLANGE, 8X20	4	

F - 16

Body Cover

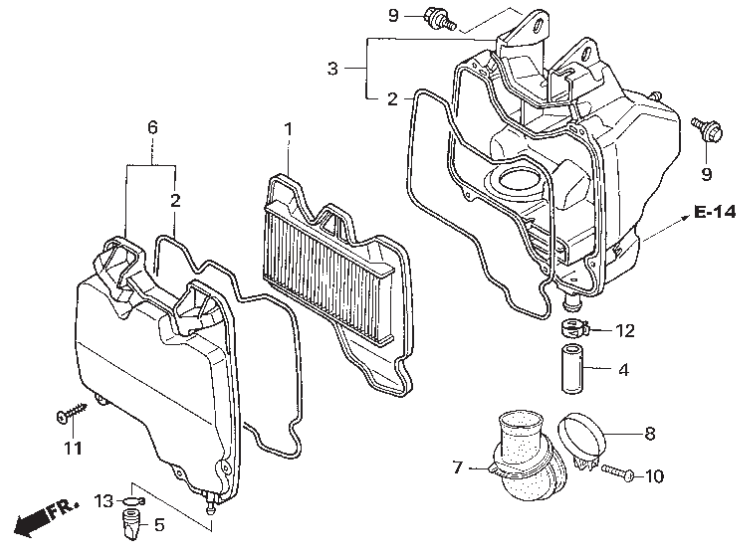


KTLI-F1600

Service item	F.R.T.	No.	Part Number	Description	QTY ANF100 / ANF100D	Notes
1 COVER, SIDE :RIGHT.....	0.5	1	64325-KTL-690	COVER SET, R. CENTER (WL) *TYPE1*	1	
COVER, SIDE :BOTH.....	0.5	2	64330-KTL-690	COVER SET, L. CENTER (WL) *TYPE1*	1	
2 COVER, SIDE :LEFT.....	0.5	3	64410-KTL-690FMB	COVER R. BODY (WL) BLACK	1	
COVER, SIDE :BOTH.....	0.5	4	64420-KTL-690FMB	COVER L. BODY (WL) BLACK	1	
3 COVER, BODY :RIGHT.....	0.6	5	83510-KTL-690FMB	COVER, TAIL *NH1* BLACK	1	
COVER, BODY :BOTH.....	0.7					
4 COVER, BODY :LEFT.....	0.6	6	90107-KGH-600	SCREW, 6X12	1	
COVER, BODY :BOTH.....	0.7	7	90108-KTL-740	BOLT, BODY COVER SETTING	2	
5 COVER, BODY :REAR.....	0.5	8	90677-KAN-T00	NUT, CLIP, 5MM	1	
		9	91509-GE2-760	SCREW, PAN, 5X11.5	5	
		10	93903-24310	SCREW, TAPPING, 4X12	4	

F - 17

Air Cleaner

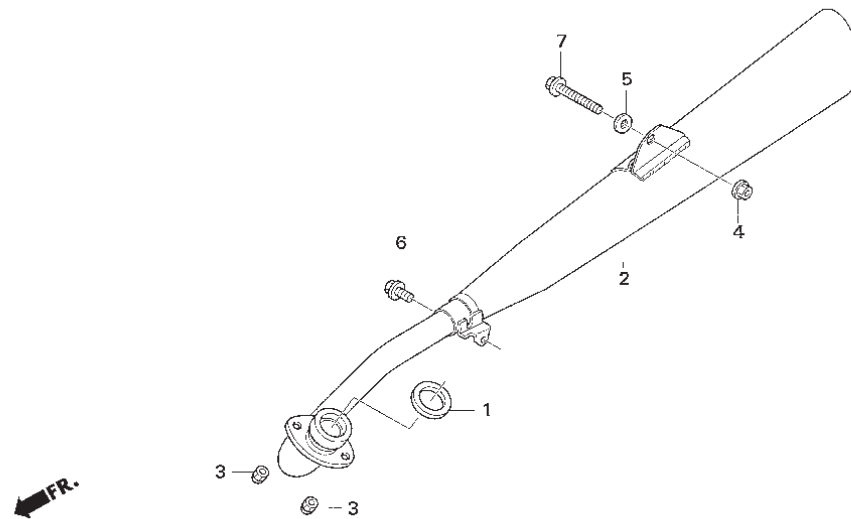


KTLI-F1700

Service item	F.R.T.	No.	Part Number	Description	QTY ANF100 / ANF100D	Notes
1 ELEMENT, AIR CLEANER.....	0.2	1	17210-KPH-900	ELEMENT COMP., AIR CLEANER	1	
3 CASE, AIR CLEANER.....	0.5	2	17213-KPH-900	SEAL, AIR CLEANER COVER	2	
6 COVER, AIR CLEANER CASE.....	0.2	3	17230-KPH-880	CASE AIR CLEANER	1	
7 TUBE, AIR CLEANER CONNECTING...	0.4	4	17227-HC0-000	TUBE, VINYL, 11X15X45	1	
		5	17234-KCW-871	TUBE, AIR CLEANER DRAIN	1	
		6	17231-KPH-900	COVER AIR CLEANER CASE	1	
		7	17253-KTL-740	TUBE, AIR CLEANER CONNECTING	1	
		8	17255-GN5-900	BAND B, AIR CLEANER CONNECTING TUBE	1	
		9	90116-ME9-000	BOLT, FLANGE, 6MM	2	
		10	93500-05020-0A	SCREW, PAN, 5X20	1	
		11	93903-25510	SCREW, TAPPING, 5X25	5	
		12	95002-41300-08	CLAMP, TUBE (D13)	1	
		13	95002-80000	CLIP, TUBE (C12)	1	

F - 18

Exhaust Muffler

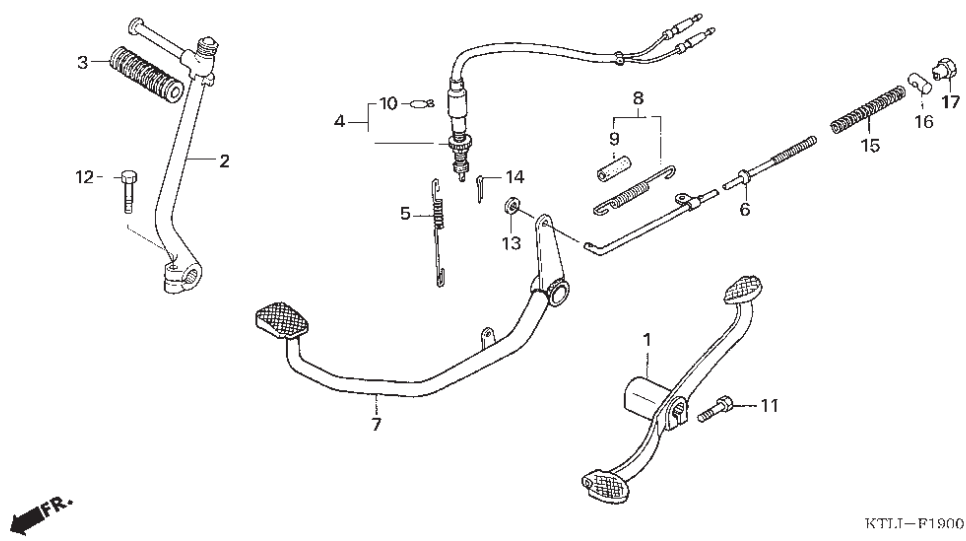


KTLI-F1800

Service item	F.R.T.	No.	Part Number	Description	QTY ANF100 / ANF100D	Notes
1 GASKET, EXHAUST PIPE.....	0.3	1	18291-HB2-900	GASKET, EX. PIPE	1	
2 MUFFLER.....	0.3	2	18350-KTL-690	MUFFLER COMP., EX.	1	
		3	90207-165-600	NUT, CAP, 6MM	2	
		4	94050-08000	NUT, FLANGE, 8MM	1	
		5	94103-08000	WASHER, PLAIN, 8MM	1	
		6	95701-08012-00	BOLT, FLANGE, 8X12	1	
		7	95701-08045-00	BOLT, FLANGE, 8X45	1	

F - 19

Pedal / Kick Starter Arm

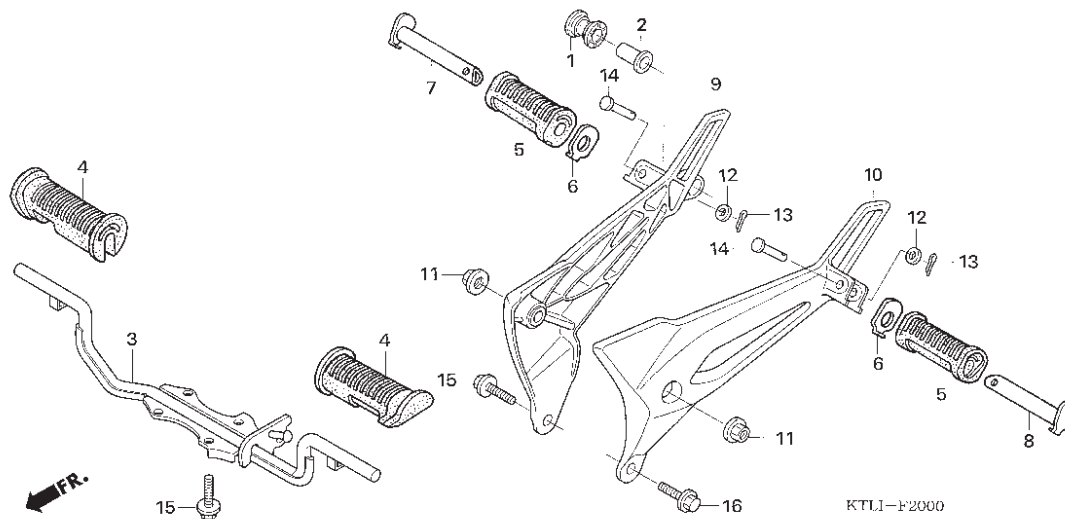


KTT.I-P1900

Service item	F.R.T.	No.	Part Number	Description	QTY ANF100 / ANF100D	Notes
1 PEDAL, GEAR CHANGE.....	0.1	1	24701-KRS-690	PEDAL, GEAR CHANGE	1	
2 ARM, KICK STARTER.....	0.1	2	28300-KTL-690	ARM ASSY., KICK STARTER	1	
4 SWITCH, REAR STOP :PEDAL SIDE	0.7	3	28311-342-000	RUBBER, KICK STARTER	1	
6 ROD, REAR BRAKE.....	0.4	4	35350-KPH-B31	SWITCH ASSY., RR. STOP	1	
7 PEDAL, REAR BRAKE.....	0.5	5	35357-KCC-900	SPRING, STOP SWITCH	1	
		6	43451-KTL-690	ROD COMP., RR. BRAKE	1	
		7	46500-KTL-740	PEDAL COMP., BRAKE	1	
		8	46513-KBP-900	SPRING ASSY., RR. BRAKE RETURN	1	
		9	46514-MK4-000	TUBE, BRAKE PEDAL SPRING	1	
		10	90601-KAF-003	CLIP, SWITCH COVER	1	
		11	92101-06020-0A	BOLT, HEX., 6X20	1	
		12	92101-06025-0A	BOLT, HEX., 6X25	1	
		13	94101-05000	WASHER, PLAIN, 5MM	1	
		14	94201-20150	PIN, SPLIT, 2.0X15	1	
		15	95014-73100	SPRING A, BRAKE ROD	1	
		16	95015-32001	JOINT B, BRAKE ARM	1	
		17	95015-42000	NUT B, BRAKE ROD ADJUSTING	1	

F - 20

Step

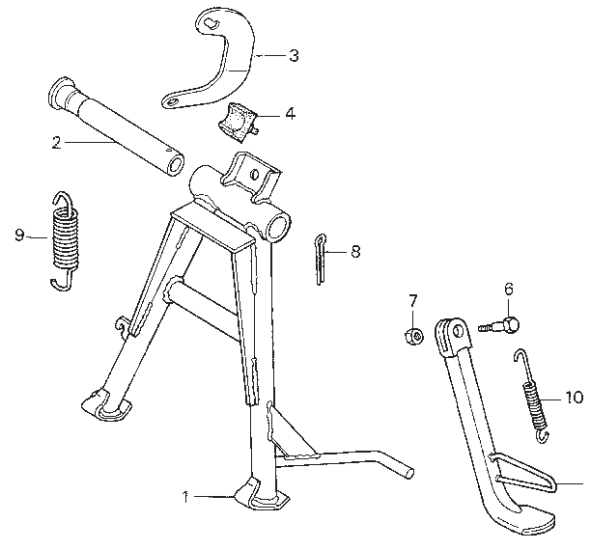


Service item	F.R.T.	No.	Part Number	Description	QTY ANF100 / ANF100D	Notes
3 BAR, STEP.....	0.3	1	18421-KBA-900	RUBBER, MUFFLER MOUNTING	1	
4 RUBBER, STEP :LEFT.....	0.1	2	18422-KPH-900	COLLAR, MUFFLER MOUNTING	1	
RUBBER, STEP :RIGHT.....	0.1	3	50610-KTL-740	BAR COMP., STEP	1	
RUBBER, STEP :BOTH.....	0.1	4	50661-GN8-920	RUBBER, STEP	2	
7 BAR, PILLION STEP :RIGHT.....	0.1	5	50710-GN5-830	RUBBER, PILLION STEP	2	
BAR, PILLION STEP :BOTH.....	0.2					
8 BAR, PILLION STEP :LEFT.....	0.1	6	50711-GN5-730	PLATE, PILLION STEP	2	
BAR, PILLION STEP :BOTH.....	0.2	7	507A4-KRS-690	PILLION STEP L KIT	1	
9 BRACKET, PILLION STEP :RIGHT.....	0.3	8	507A3-KRS-690	PILLION STEP R KIT	1	
BRACKET, PILLION STEP :BOTH.....	0.5	9	50715-KTL-740	HOLDER, R. PILLION STEP	1	
10 BRACKET, PILLION STEP :LEFT.....	0.2	10	50716-KTL-740	HOLDER, L. PILLION STEP	1	
BRACKET, PILLION STEP :BOTH.....	0.5					
		11	94050-10000	NUT, FLANGE, 10MM	2	
		12	94101-06000	WASHER, PLAIN, 6MM	2	
		13	94201-16150	PIN, SPLIT, 1.6X15	2	
		14	95015-83000	PIN C, PILLION STEP	2	
		15	95701-08020-00	BOLT, FLANGE, 8X20	5	
		16	95701-08025-00	BOLT, FLANGE, 8X25	1	

3

F - 21

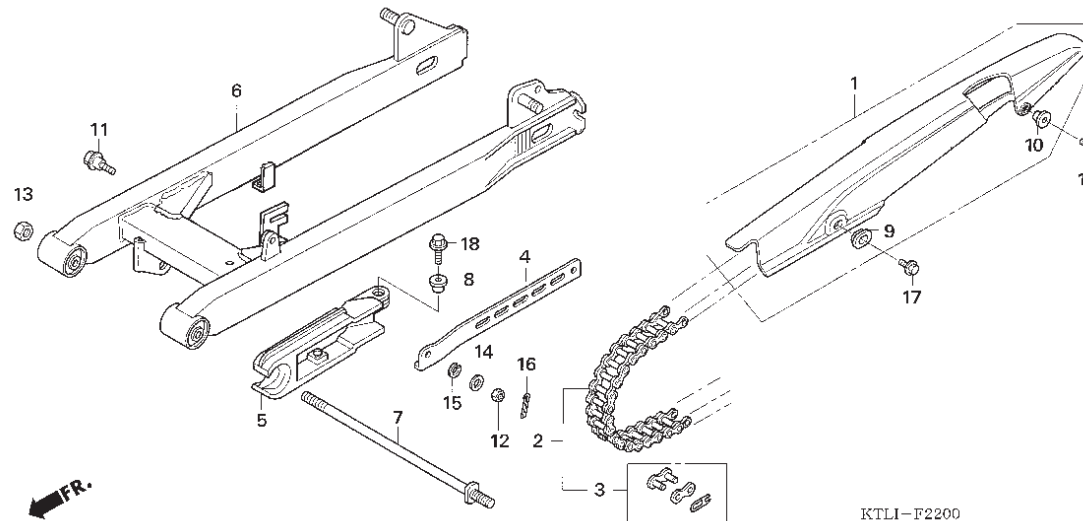
Stand



Service item	F.R.T.	No.	Part Number	Description	QTY ANF100 / ANF100D	Notes
1 STAND, MAIN.....	0.5	1	50500-KTM-850	STAND COMP., MAIN	1	
5 BAR, SIDE STAND.....	0.2	2	50512-KPH-900	SHAFT, RR. BRAKE PIVOT	1	
9 SPRING, MAIN STAND.....	0.2	3	50523-KPH-900	HOOK, MAIN STAND SPRING	1	
10 SPRING, SIDE STAND.....	0.1	4	50524-397-000	RUBBER, STAND STOPPER	1	
		5	50530-KTM-850	BAR COMP., SIDE STAND	1	
		6	90108-223-000	SCREW, SIDE STAND PIVOT	1	
		7	94002-10000-0S	NUT, HEX., 10MM	1	
		8	94201-30250	PIN, SPLIT, 3.0x25	1	
		9	95014-71402	SPRING A, MAIN STAND	1	
		10	95014-72102	SPRING A, SIDE STAND	1	

F - 22

Swingarm

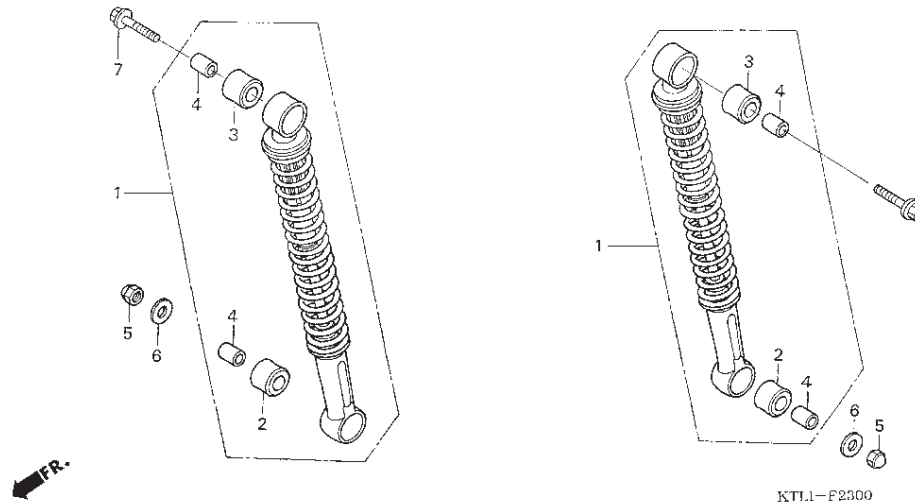


KTLI-F2200

Service item	F.R.T.	No.	Part Number	Description	QTY ANF100 / ANF100D	Notes
1 CASE, DRIVE CHAIN.....	0.1	1	40510-KTL-850	CASE, DRIVE CHAIN	1	
2 CHAIN, DRIVE.....	0.2	2	40530-KTL-690	CHAIN, DRIVE (DAIDO) (DID420DX-104RB)	1	
4 ARM, REAR BRAKE STOPPER.....	0.3	3	40531-205-013	JOINT, DRIVE CHAIN	1	
5 SLIDER, CHAIN.....	0.3	4	43431-KPH-700	ARM, RR. BRAKE STOPPER	1	
6 SWINGARM ASSEMBLY.....	0.7	5	52170-KPH-720	SLIDER, CHAIN	1	
		6	52100-KTL-690	SWINGARM ASY, R	1	
		7	90121-KTL-740	BOLT, SWINGARM PIVOT	1	
		8	90503-KEV-880	COLLAR, FR. FENDER	1	
		9	90513-405-000	WASHER, 6X9	1	
		10	90563-KEV-750	WASHER, CHAIN CASE SETTING	1	
		11	92812-10000	BOLT A, STOPPER ARM	1	
		12	94001-08000-0S	NUT, HEX., 8MM	1	
		13	94031-10000	NUT, HEX., 10MM	1	
		14	94101-08000	WASHER, PLAIN, 8MM	1	
		15	94111-10000	WASHER, SPRING, 10MM	1	
		16	94201-20150	PIN, SPLIT, 2.0X15	1	
		17	95701-06010-00	BOLT, FLANGE, 6X10	2	
		18	96001-06016-00	BOLT, FLANGE, 6X16	1	

F - 23

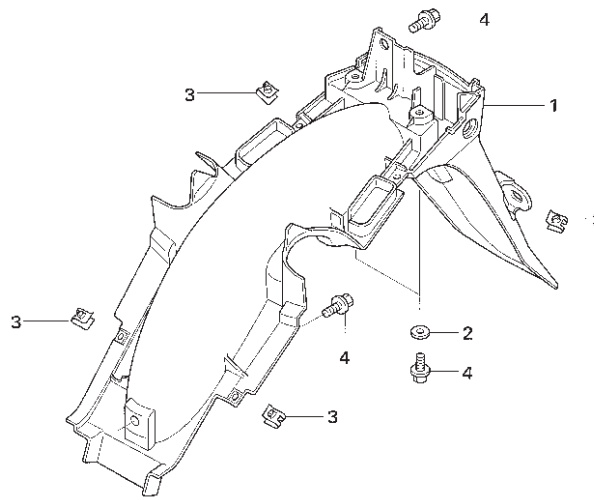
Rear Cushion



Service item	F.R.T.	No.	Part Number	Description	QTY ANF100 / ANF100D	Notes
1 CUSHION ASSY., REAR :LEFT.....	0.5	1	52400-KTM-850	CUSHION ASSY., RR.	2	
CUSHION ASSY., REAR :RIGHT.....	0.5	2	52485-GA7-003	BUSH, RUBBER	2	
CUSHION ASSY., REAR :BOTH.....	0.6	3	52485-088-901	BUSH, RR. CUSHION RUBBER	2	
		4	52486-GA7-003	COLLAR, RUBBER BUSH	4	
		5	94021-10000-0S	NUT, CAP, 10MM	2	
		6	94101-10000	WASHER, PLAIN, 10MM	2	
		7	95801-10035-00	BOLT, FLANGE, 10X35	2	

F - 24

Rear Fender

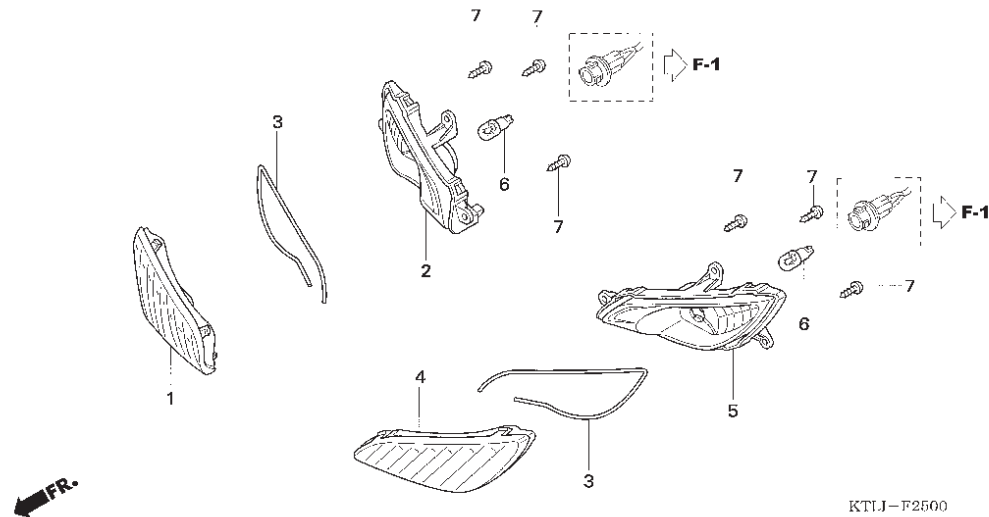


KTLI-F2400

Service item	F.R.T.	No.	Part Number	Description	QTY ANF100 / ANF100D	Notes
1 FENDER, REAR.....	0.8	1	80100-KTL-690	FENDER SET, RR. *TYPE1*(WL)	1	
		3	90485-286-000	WASHER, 6MM	2	
		4	90677-KAN-T00	NUT, CLIP, 5MM	4	
		5	95701-06012-08	BOLT, FLANGE, 6X12	4	

F - 25

Front Winker

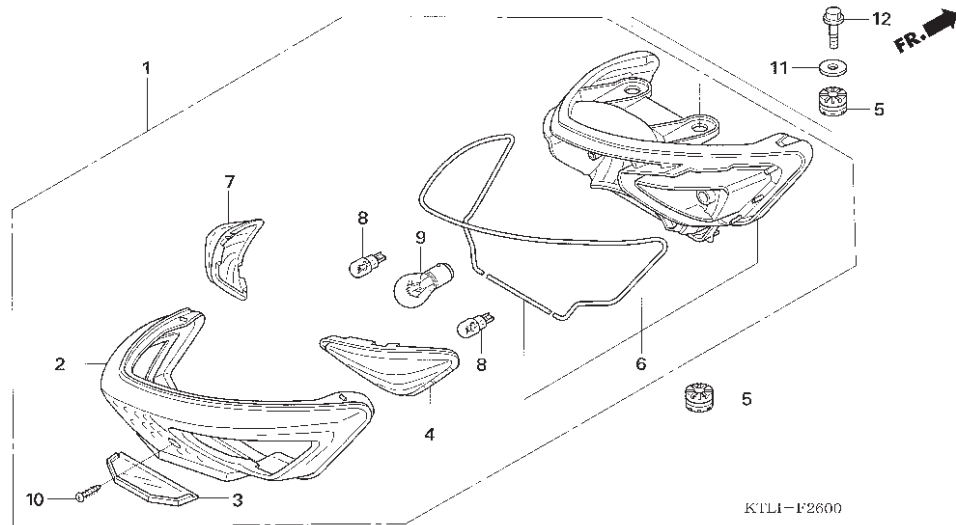


KTLJ-P2500

Service item	F.R.T.	No.	Part Number	Description	QTY ANF100 / ANF100D	Notes
2 BASE, WINKER :RIGHT FRONT.....	0.4	1	33402-KTL-691	LENS, R. FR. WINKER	1	
BASE, WINKER :BOTH FRONT.....	0.5	2	33400-KTL-690	WINKER ASSY, R FR	1	
5 BASE, WINKER :LEFT FRONT.....	0.4	3	33404-KTL-691	SEAL, GASKET	2	
BASE, WINKER :BOTH FRONT.....	0.5	4	33452-KTL-691	LENS, L. FR. WINKER	1	
6 BULB, WINKER :FRONT.....	0.3	5	33450-KTL-690	WINKER ASSY, L FR	1	
.NOTE: Same time for two units						
		6	34905-KAN-W01	BULB, WINKER (12V 10W)	2	
		7	93903-34380	SCREW, TAPPING, 4X12	6	

F - 26

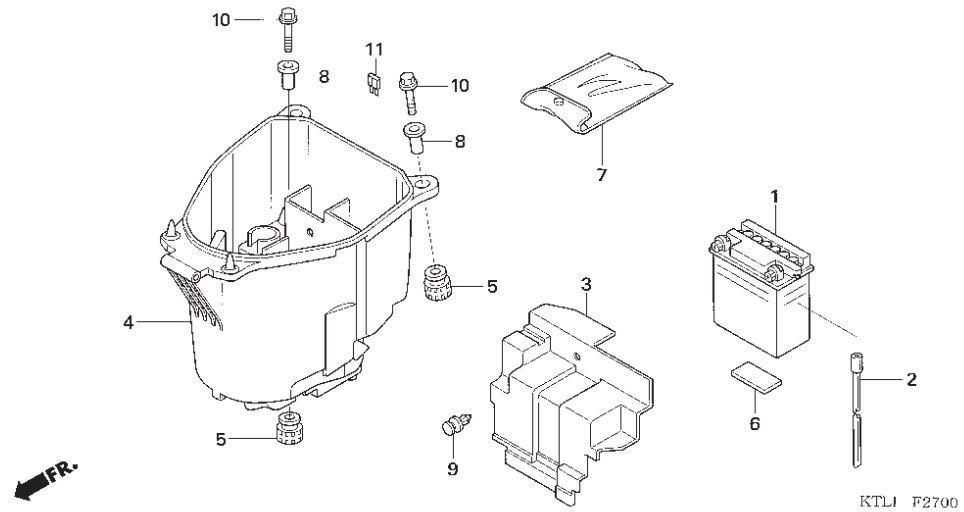
Rear Combination Light



Service item	F.R.T.	No.	Part Number	Description	QTY ANF100 / ANF100D	Notes
1 TAILLIGHT UNIT.....	0.5	1	33700-KTL-690	LIGHT ASSY., RR. COMBINATION	1	
6 BASE, TAILLIGHT.....	0.6	2	33701-KTL-741	LENS, TAILLIGHT	1	
8 BULB, WINKER :REAR.....	0.1	3	33701-KTL-741	LENS, LICENSE LIGHT	1	
.NOTE: Same time for two units		4	33703-KTL-741	LENS, R. RR. WINKER	1	
9 BULB, TAILLIGHT.....	0.1	5	33705-KW7-900	RUBBER A, TAILLIGHT MOUNTING	3	
		6	33710-KTL-690	BASE COMP.	1	
		7	33753-KTL-741	LENS, L. RR. WINKER	1	
		8	34905-KAN-W01	BULB, WINKER (12V 10W)	2	
		9	34906-GB6-921	BULB, TAILLIGHT (12V 18/5W)	1	
		10	93901-24480	SCREW, TAPPING, 4X16	2	
		11	94103-06000	WASHER, PLAIN, 6MM	2	
		12	95701-06012-00	BOLT, FLANGE, 6X12	2	

F - 27

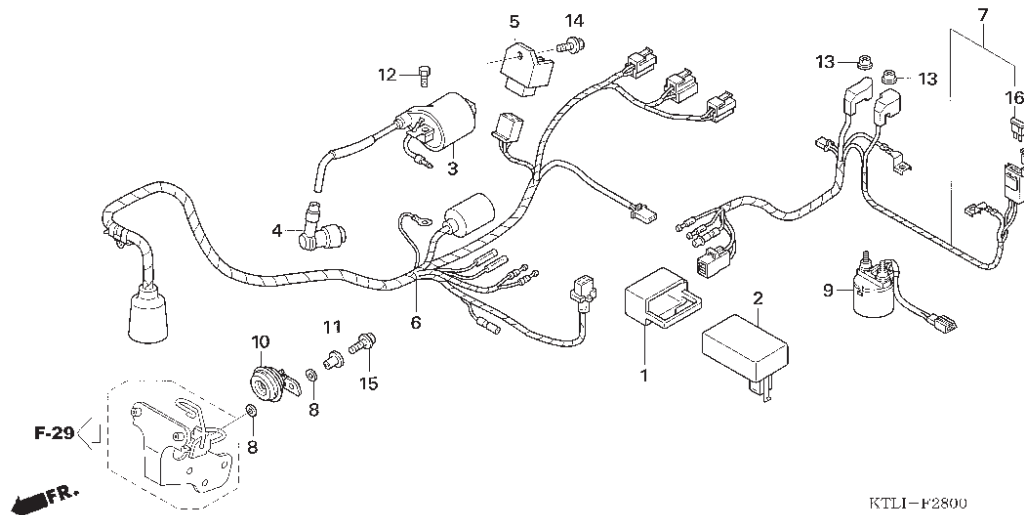
Battery/ Luggage Box



Service item	F.R.T.	No.	Part Number	Description	QTY ANF100 / ANF100D	Notes
1 BATTERY.....	0.2	1	31500-GBG-FMO	BATTERY GM5Z-3B	1	
4 BOX, LUGGAGE.....	0.7	2	31502-KTL-690	TUBE, BATTERY BREATHER	1	
		3	50381-KTL-690	COVER, BATTERY	1	
		4	81250-KTL-690	BOX COMP., LUGGAGE	1	
		5	81253-KPH-900	RUBBER, LUGGAGE BOX MOUNTING	4	
		6	81255-KTL-690	CUSHION, BATTERY	1	
		7	83642-171-000	BAG, OWNERS MANUAL	1	
		8	90502-KPH-900	COLLAR, 6.2X20	4	
		9	90634-KPG-900	CLIP, BATTERY COVER	1	
		10	96001-06030-00	BOLT, FLANGE, 6X30	4	
		11	98200-31000	FUSE, BLADE (10A)	1	

F - 28

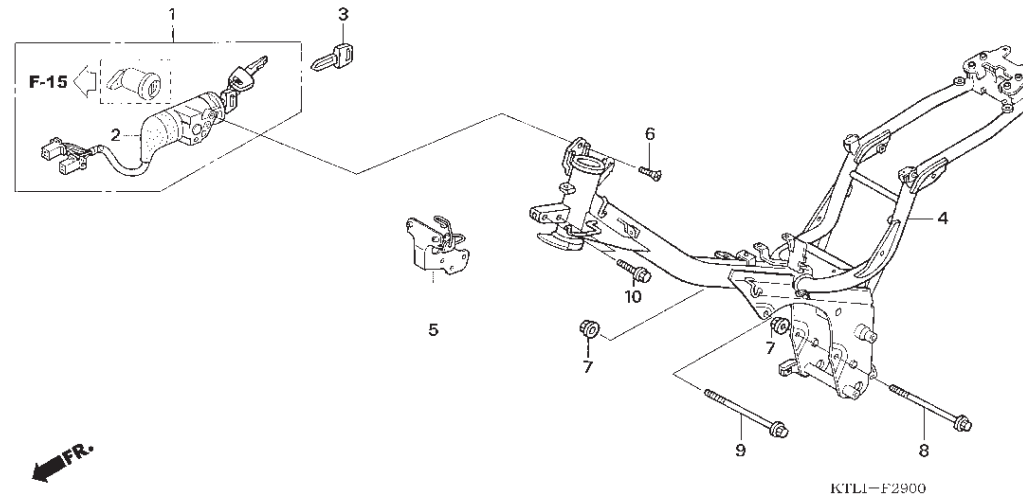
Wire Harness



Service item	F.R.T.	No.	Part Number	Description	QTY ANF100 / ANF100D	Notes
2 IGNITION CONTROL MODULE.....	0.6	1	30401-KTL-690	CUSHION, C.D.I. UNIT	1	
3 COIL, IGNITION.....	0.6	2	30410-GN5-832	C.D.I. UNIT	1	
5 RECTIFIER, REGULATE.....	0.6	3	30500-KTL-740	COIL ASSY., IGNITION	1	
6 HARNESS, WIRE.....	1.2	4	30700-KPH-881	CAP ASSY., NOISE SUPPRESSOR	1	
7 SUB HARNESS, BATTERY.....	0.6	5	31600-KRS-971	RECTIFIER COMP., REGULATE	1	
9 SWITCH, STARTER MAGNETIC.....	0.3	6	32100-KTL-690	HARNESS, WIRE	1	
10 HORN(S).....	0.2	7	32103-KTL-690	SUB HARNESS, BATTERY	1	
		8	33714-KL3-620	RUBBER, TAILLIGHT BRACKET	2	
		9	35850-GBG-910	SWITCH ASSY., STARTER MAGNETIC	1	
		10	38110-KTL-690	HORN COMP.(HIGH)	1	
		11	38117-KPH-880	COLLAR, HORN SETTING	1	
		12	93301-05016-0A	BOLT, HEX., 5X16	2	
		13	94050-06000	NUT, FLANGE, 6MM	2	
		14	95701-06014-00	BOLT, FLANGE, 6X14	1	
		15	95701-06020-00	BOLT, FLANGE, 6X20	1	
		16	98200-31000	FUSE, BLADE (10A)	1	

F - 29

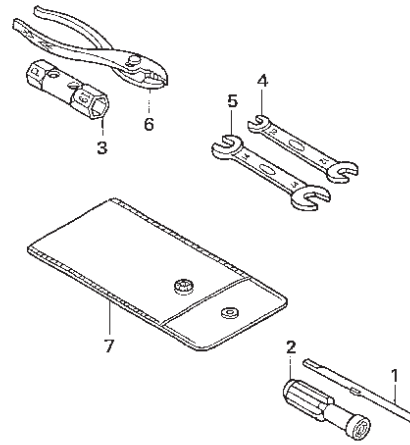
Frame Body



Service item	F.R.T.	No.	Part Number	Description	QTY ANF100 / ANF100D	Notes
1 KEY SET.....	1.1	1	35010-KTL-690	KEY SET	1	
2 SWITCH, COMBINATION & LOCK.....	0.7	2	35100-KTL-691	SWITCH ASSY., COMBINATION & LOCK	1	
4 BODY, FRAME.....	5.0	3	35121-KV8-680	KEY, BLANK (TYPE 1) (KEY NO. AXX / BXX)	(1)	
.INCLUDES: Engine removal and installation			35122-KV8-680	KEY, BLANK (TYPE 2) (KEY NO. CXX / DXX)	(1)	
5 STAY, FRONT COVER.....	0.3	4	50100-KTL-690	BODY COMP., FRAME	1	
		5	64221-KTL-690	STAY, FR. TOP COVER	1	----- DRUM BRAKE
			64221-KTL-700	STAY, FR. TOP COVER	1	----- DISK BRAKE
		6	90164-028-000	SCREW, U-LOCK FLAT, 6X12	2	
		7	94030-08000	NUT, HEX., 8MM	2	
		8	95301-08100-00	BOLT, HEX., 8X100	1	
		9	95301-08110-08	BOLT, HEX., 8X110	1	
		10	95701-08032-00	BOLT, FLANGE, 8X32	2	

F - 30

Tools

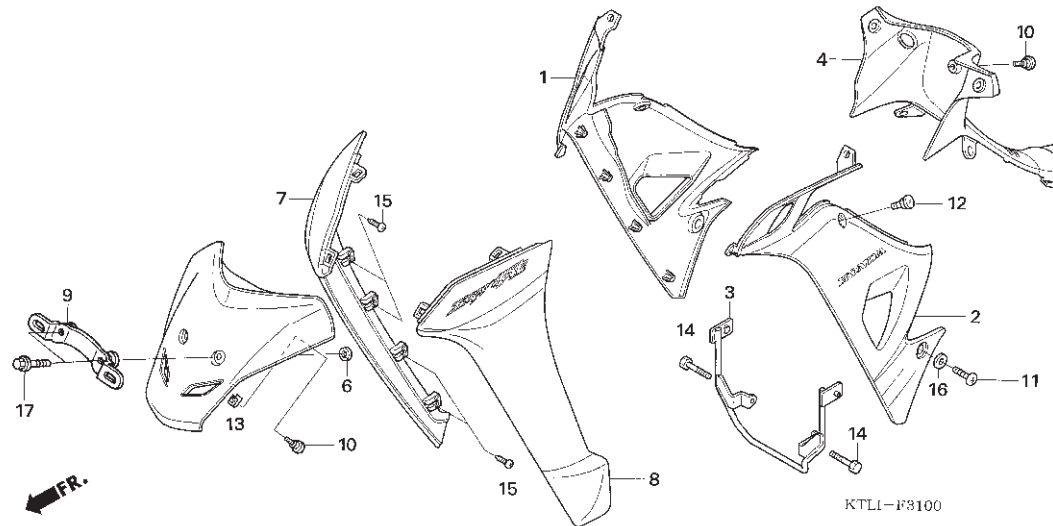


KTIJ-F3000

Service item	F.R.T.	No.	Part Number	Description	QTY ANF100 / ANF100D	Notes
NOT INFORMATION	-	1	89102-538-000	SHAFT, SCREW DRIVER	1	
		2	89103-538-000	GRIP	1	
		3	89216-GBG-770	WRENCH, SPARK PLUG	1	
		4	99001-10120	SPANNER, 10X12	1	
		5	99001-14170	SPANNER, 14X17	1	
		6	99002-13500	PLIERS, 135	1	
		7	99008-01600	BAG, TOOL, 160MM	1	

F - 31

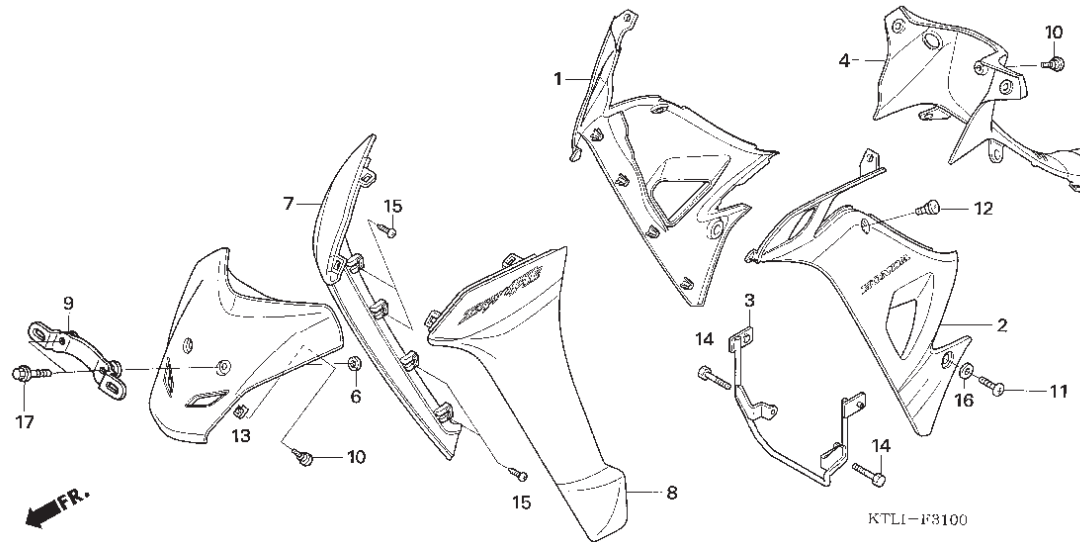
Main Pipe Cover / Leg Shield



Service item	F.R.T.	No.	Part Number	Description	QTY ANF100 / ANF100D	Notes
1 COVER, MAIN PIPE SIDE :RIGHT.....	0.2	1	64400-KTL-690FMB	COVER, R M/P SIDE - BLACK	1	
OVER, MAIN PIPE SIDE :BOTH.....	0.3		64400-KTL-690FMH	COVER, R M/P SIDE - STARLIGHT SILVER METALIK	1	
2 COVER, MAIN PIPE SIDE :LEFT.....	0.2		64400-KTL-690FMT	COVER, R M/P SIDE - TWISTER PEARL BLUE	1	
COVER, MAIN PIPE SIDE :BOTH.....	0.3		64400-KTL-690FMV	COVER, R M/P SIDE - WINNING RED	1	
4 COVER, MAIN PIPE UPPER.....	0.3					
7 LEGSHIELD :RIGHT.....	0.2	2	64450-KTL-690FMB	COVER, L M/P SIDE - BLACK	1	
LEGSHIELD :BOTH.....	0.3		64450-KTL-690FMH	COVER, L M/P SIDE - STARLIGHT SILVER METALIK	1	
8 LEGSHIELD :LEFT.....	0.2		64450-KTL-690FMT	COVER, L M/P SIDE - TWISTER PEARL BLUE	1	
LEGSHIELD :BOTH.....	0.3		64450-KTL-690FMV	COVER, L M/P SIDE - WINNING RED	1	
		3	64311-KTL-740	STAY, LEGSHIELD	1	
		4	64320-KTL-690FMB	COVER, M/P UPPER - BLACK	1	
			64320-KTL-690FMH	COVER, M/P UPPER - STARLIGHT SILVER METALIK	1	
			64320-KTL-690FMT	COVER, M/P UPPER - TWISTER PEARL BLUE	1	
			64320-KTL-690FMV	COVER, M/P UPPER - WINNING RED	1	
		6	64510-KEV-900	CUSHION, FR. TOP COVER	2	
		7	64430-KTL-690FMB	SHIELD, R LEG - BLACK	1	
			64430-KTL-690FMH	SHIELD, R LEG - STARLIGHT SILVER METALIK	1	
			64430-KTL-690FMT	SHIELD, R LEG - TWISTER PEARL BLUE	1	
			64430-KTL-690FMV	SHIELD, R LEG - WINNING RED	1	

F - 31

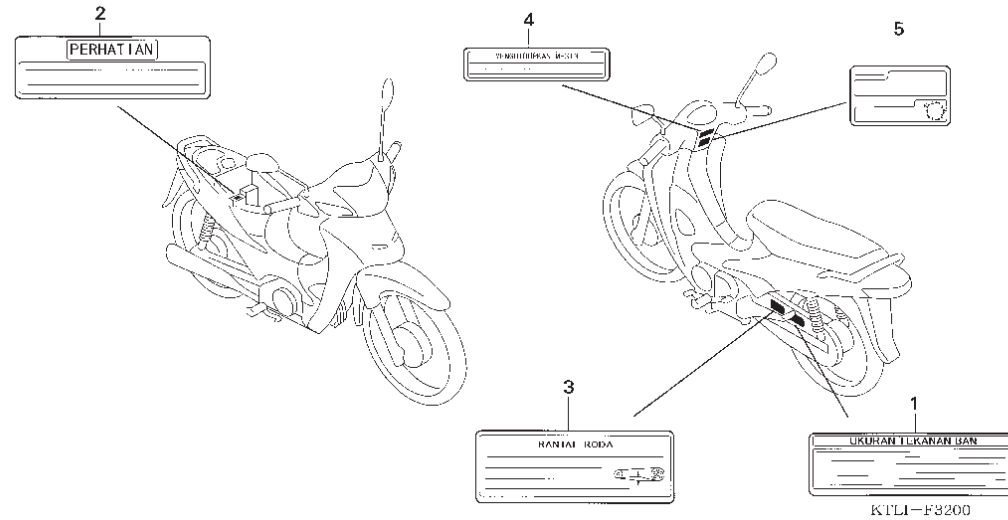
Main Pipe Cover / Leg Shield



Service item	F.R.T.	No.	Part Number	Description	QTY ANF100 / ANF100D	Notes
		8	64440-KTL-690FMB	SHIELD, L LEG - BLACK	1	
			64440-KTL-690FMH	SHIELD, L LEG - STARLIGHT SILVER METALIK	1	
			64440-KTL-690FMT	SHIELD, L LEG - TWISTER PEARL BLUE	1	
			64440-KTL-690FMV	SHIELD, L LEG - WINNING RED	1	
		9	81110-KTM-850	BRACKET, FR. NUMBER PLATE	1	
		10	90104-KPH-900	SCREW, SPECIAL, 5MM	3	
		11	90107-KTL-740	SCREW, COWL SETTING (A)	2	
		12	90109-KTL-740	BOLT, FAIRING SETTING	2	
		13	90677-KAN-T00	NUT, CLIP, 5MM	2	
		14	92101-06020-0A	BOLT, HEX., 6X20	2	
		15	93903-25210	SCREW, TAPPING, 5X12	8	
		16	94103-06000	WASHER, PLAIN, 6MM	2	
		17	95701-06028-00	BOLT, FLANGE, 6X28	2	

F - 32

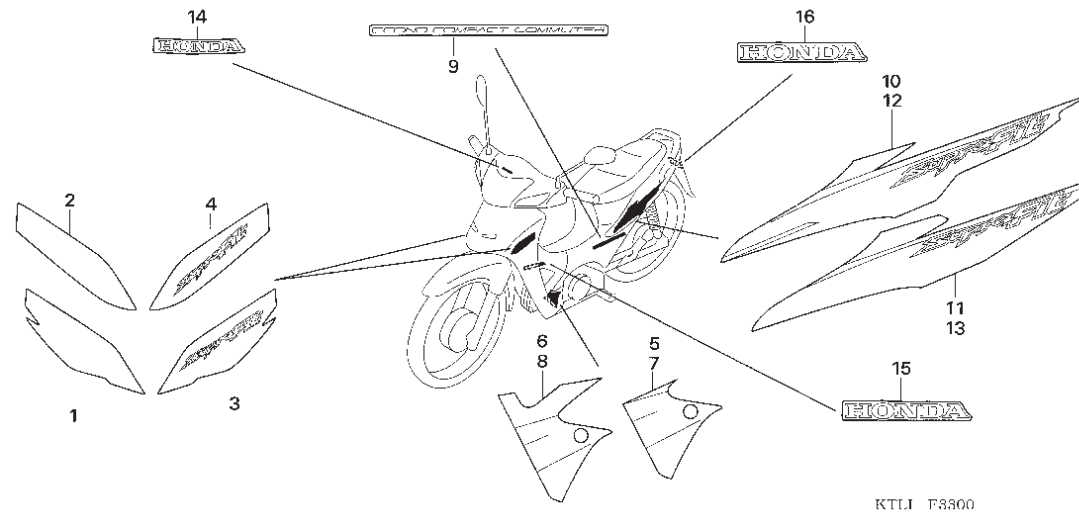
Caution Label



Service item	F.R.T.	No.	Part Number	Description	QTY ANF100 / ANF100D	Notes
NOT INFORMATION	-	1	87505-KTM-850	LABEL, TIRE	1	
		2	87506-KPH-880	MARK, BATTERY CAUTION	1	
		3	87507-KTL-690	LABEL, DRIVE CHAIN	1	
		4	87513-KPH-880ZB	LABEL, ENGINE STARTER *TWHITE* WHITE	1	
		5	87560-KPH-880ZA	MARK, DRIVE CAUTION *TWHITE* WHITE	1	

F - 33

Mark / Stripe (Drum)

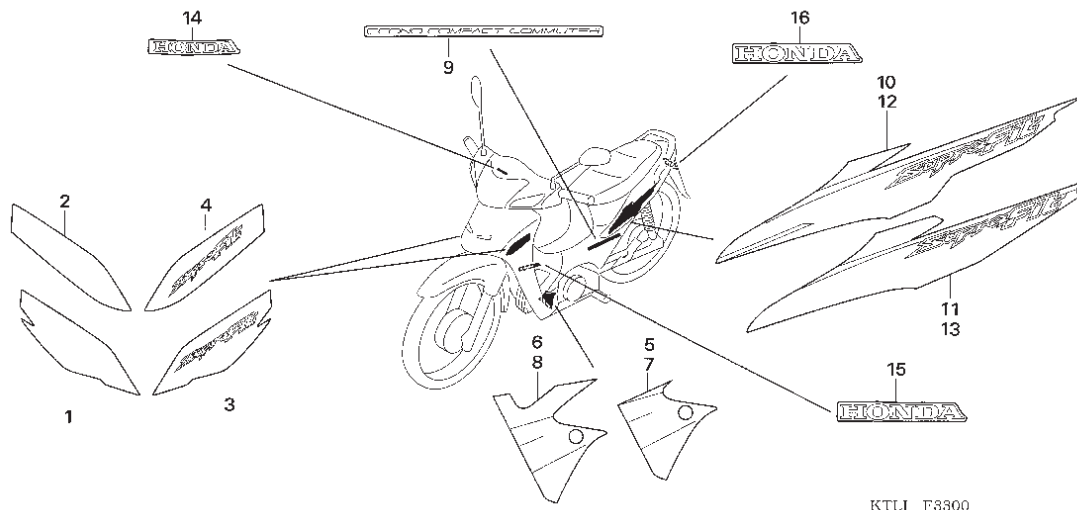


KTLI F3300

Service item	F.R.T.	No.	Part Number	Description	QTY		Notes
					ANF100	ANF100D	
NOT INFORMATION	-	1	87101-KTL-690ZA	STRIPE, R. LEG SHIELD *TYPE1*	1	-	DRUM BRAKE
			87101-KTL-690ZB	*TYPE2*	1	-	DRUM BRAKE
			87101-KTL-690ZC	*TYPE3*	1	-	DRUM BRAKE
			87101-KTL-690ZD	*TYPE4*	1	-	DRUM BRAKE
		2	87101-KTL-700ZA	STRIPE, R. LEG SHIELD *TYPE1*	-	1	DISK BRAKE
			87101-KTL-700ZB	*TYPE2*	-	1	DISK BRAKE
			87101-KTL-700ZC	*TYPE3*	-	1	DISK BRAKE
			87101-KTL-700ZD	*TYPE4*	-	1	DISK BRAKE
			87101-KTL-700ZE	*TYPE5*	-	1	DISK BRAKE
		3	87102-KTL-690ZA	STRIPE, L. LEG SHIELD *TYPE1*	1	-	DRUM BRAKE
			87102-KTL-690ZB	*TYPE2*	1	-	DRUM BRAKE
			87102-KTL-690ZC	*TYPE3*	1	-	DRUM BRAKE
			87102-KTL-690ZD	*TYPE4*	1	-	DRUM BRAKE
		4	87102-KTL-700ZA	STRIPE, L. LEG SHIELD *TYPE1*	-	1	DISK BRAKE
			87102-KTL-700ZB	*TYPE2*	-	1	DISK BRAKE
			87102-KTL-700ZC	*TYPE3*	-	1	DISK BRAKE
			87102-KTL-700ZD	*TYPE4*	-	1	DISK BRAKE
			87102-KTL-700ZE	*TYPE5*	-	1	DISK BRAKE
		5	87103-KTL-690ZA	STRIPE, R. MAIN PIPE SIDE *TYPE1*	1	-	DRUM BRAKE
			87103-KTL-690ZB	*TYPE2*	1	-	DRUM BRAKE
87103-KTL-690ZC	*TYPE3*		1	-	DRUM BRAKE		
87103-KTL-690ZD	*TYPE4*		1	-	DRUM BRAKE		

F - 33

Mark / Stripe (Drum)

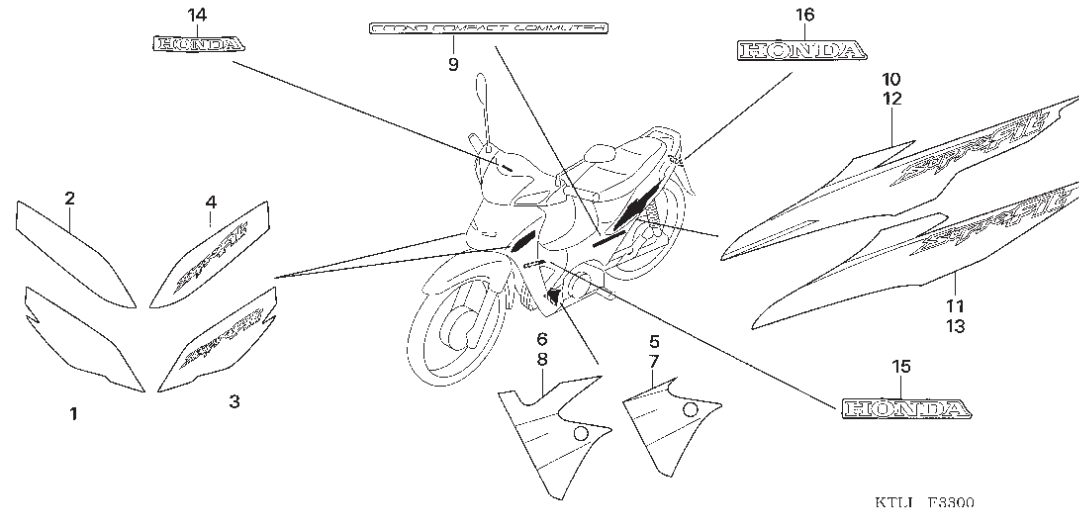


KTLI F8300

Service item	F.R.T.	No.	Part Number	Description	QTY		Notes
					ANF100	ANF100D	
		6	87103-KTL-700ZA	STRIPE, R. MAIN PIPE SIDE *TYPE1*	-	1	DISK BRAKE
			87103-KTL-700ZB	*TYPE2*	-	1	DISK BRAKE
			87103-KTL-700ZC	*TYPE3*	-	1	DISK BRAKE
			87103-KTL-700ZD	*TYPE4*	-	1	DISK BRAKE
			87103-KTL-700ZE	*TYPE5*	-	1	DISK BRAKE
		7	87104-KTL-690ZA	STRIPE, L. MAIN PIPE SIDE *TYPE1*	1	-	DRUM BRAKE
			87104-KTL-690ZB	*TYPE2*	1	-	DRUM BRAKE
			87104-KTL-690ZC	*TYPE3*	1	-	DRUM BRAKE
			87104-KTL-690ZD	*TYPE4*	1	-	DRUM BRAKE
		8	87104-KTL-700ZA	STRIPE, L. MAIN PIPE SIDE *TYPE1*	-	1	DISK BRAKE
			87104-KTL-700ZB	*TYPE2*	-	1	DISK BRAKE
			87104-KTL-700ZC	*TYPE3*	-	1	DISK BRAKE
			87104-KTL-700ZD	*TYPE4*	-	1	DISK BRAKE
			87104-KTL-700ZE	*TYPE5*	-	1	DISK BRAKE
		9	87105-KTL-690ZA	MARK, CENTER COVER *TYPE1*	2	2	
		10	87107-KTL-690ZA	STRIPE, R. BODY COVER *TYPE1*	1	-	DRUM BRAKE
			87107-KTL-690ZB	*TYPE2*	1	-	DRUM BRAKE
			87107-KTL-690ZC	*TYPE3*	1	-	DRUM BRAKE
			87107-KTL-690ZD	*TYPE4*	1	-	DRUM BRAKE

F - 33

Mark / Stripe



KTLI F3300

Service item	F.R.T.	No.	Part Number	Description	QTY		Notes
					ANF100	ANF100D	
		11	87107-KTL-700ZA	STRIPE, R. BODY COVER *TYPE1*	-	1	DISK BRAKE
			87107-KTL-700ZB	*TYPE2*	-	1	DISK BRAKE
			87107-KTL-700ZC	*TYPE3*	-	1	DISK BRAKE
			87107-KTL-700ZD	*TYPE4*	-	1	DISK BRAKE
			87107-KTL-700ZE	*TYPE5*	-	1	DISK BRAKE
		12	87108-KTL-690ZA	STRIPE, L. BODY COVER *TYPE1*	1	-	DRUM BRAKE
			87108-KTL-690ZB	*TYPE2*	1	-	DRUM BRAKE
			87108-KTL-690ZC	*TYPE3*	1	-	DRUM BRAKE
			87108-KTL-690ZD	*TYPE4*	1	-	DRUM BRAKE
		13	87108-KTL-700ZA	STRIPE, L. BODY COVER *TYPE1*	-	1	DISK BRAKE
			87108-KTL-700ZB	*TYPE2*	-	1	DISK BRAKE
			87108-KTL-700ZC	*TYPE3*	-	1	DISK BRAKE
			87108-KTL-700ZD	*TYPE4*	-	1	DISK BRAKE
			87108-KTL-700ZE	*TYPE5*	-	1	DISK BRAKE
		14	87120-KTL-690ZA	MARK, HONDA (80MM) *TYPE1*	1	-	
			87120-KTL-690ZB	*TYPE2*	1	-	DRUM BRAKE
		15	87130-KTL-690ZA	MARK, HONDA (110MM) *TYPE1*	2	2	
			87130-KTL-690ZB	*TYPE2*	2	2	
			87130-KTL-690ZC	*TYPE3*	2	2	
			87130-KTL-690ZD	*TYPE4*	2	-	DISK BRAKE
		16	87140-KTL-690ZA	MARK, HONDA (60MM) *TYPE1*	1	1	