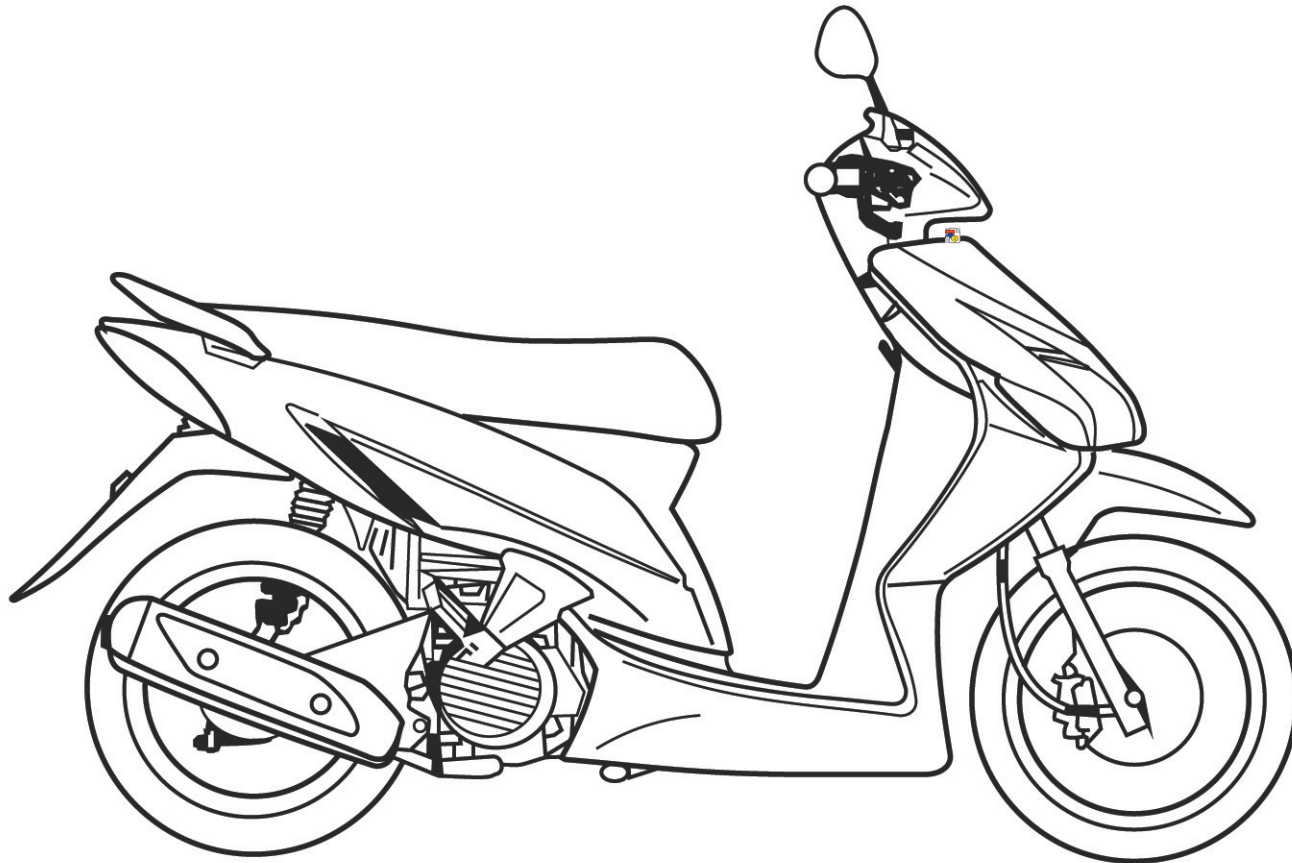




V A R I O

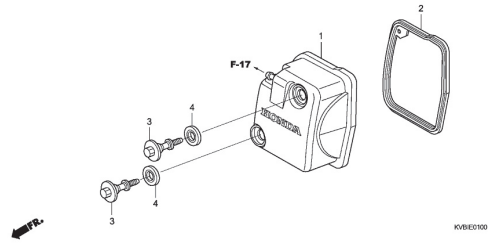


KVBF

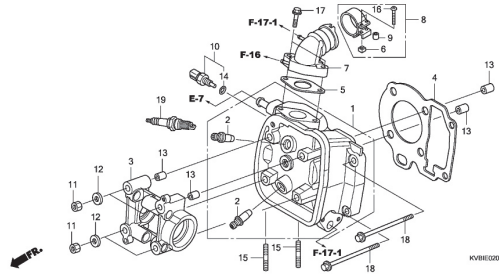
PARTS CATALOG
EDISI **1**

ENGINE GROUP

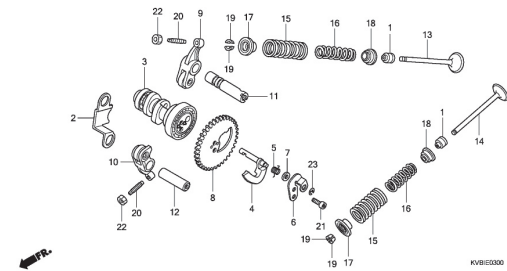
E-1 CYLINDER HEAD COVER



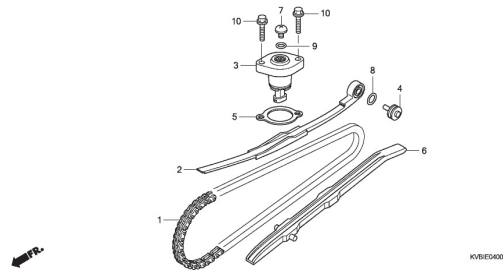
E-2 CYLINDER HEAD



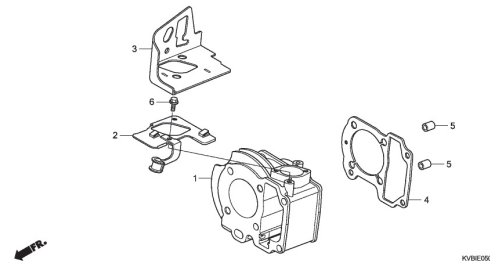
E-3 CAMSHAFT/VALVE



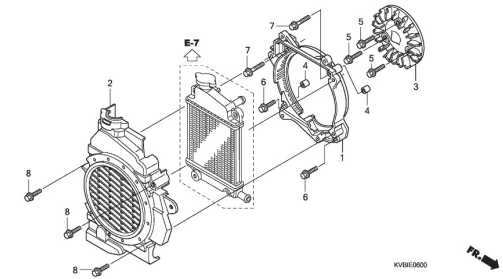
E-4 CAM CHAIN/TENSIONER



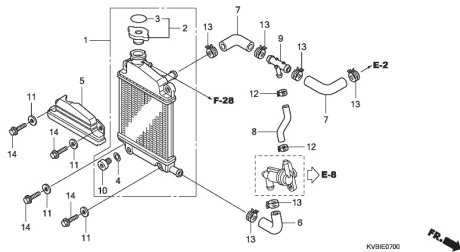
E-5 CYLINDER



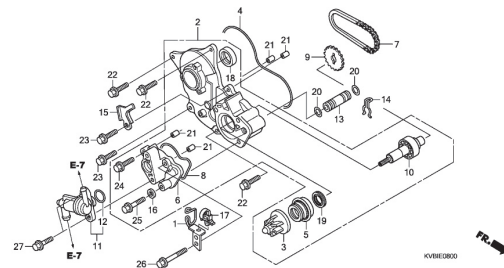
E-6 COOLING FAN/RADIATOR COVER



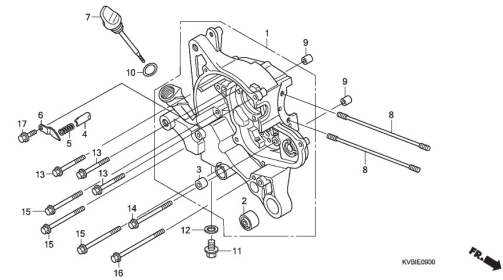
E-7 RADIATOR



E-8 WATER PUMP

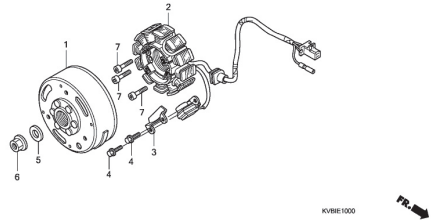


E-9 RIGHT CRANKCASE

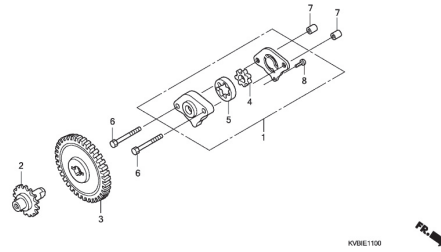


ENGINE GROUP

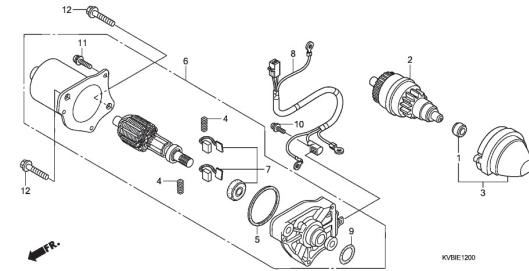
E-10 GENERATOR



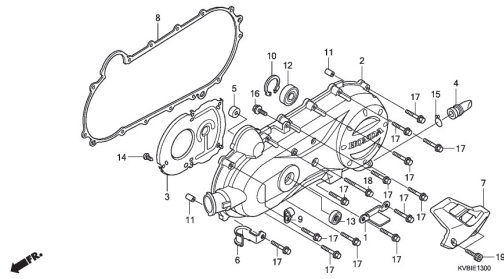
E-11 OIL PUMP



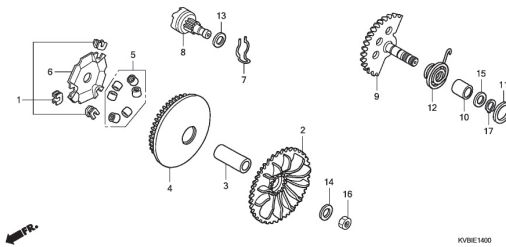
E-12 STARTING MOTOR



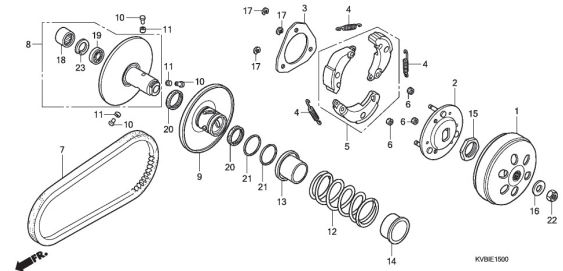
E-13 LEFT CRANKCASE COVER



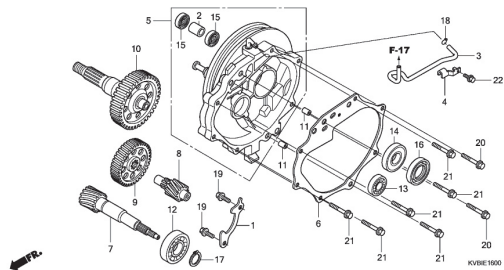
E-14 DRIVE FACE



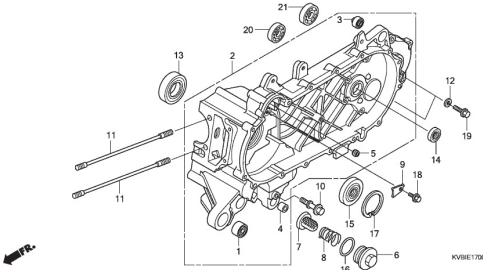
E-15 DRIVEN FACE



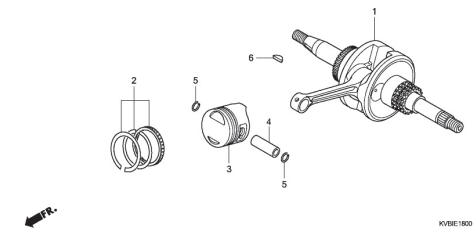
E-16 TRANSMISSION



E-17 LEFT CRANKCASE



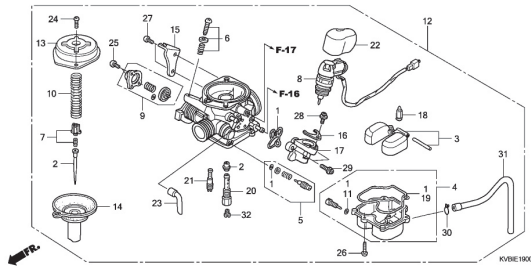
E-18 CRANKSHAFT/PISTON



ENGINE GROUP

E-19

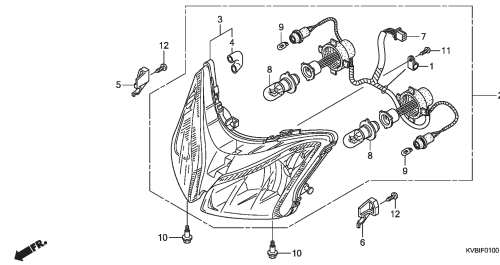
CARBURETOR



FRAME GROUP

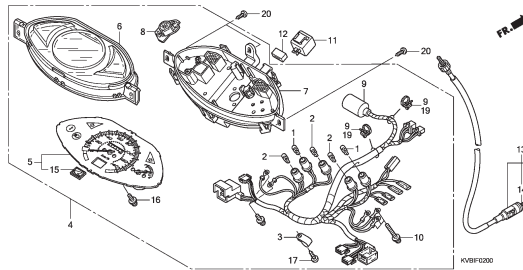
F-1

HEADLIGHT



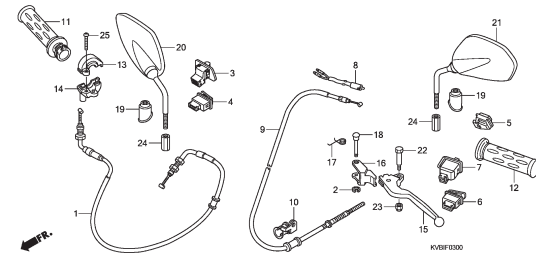
F-2

METER



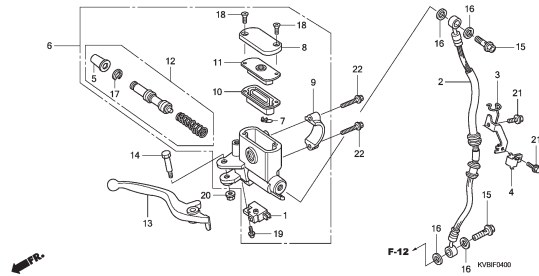
F-3

HANDLE LEVER/SWITCH/CABLE



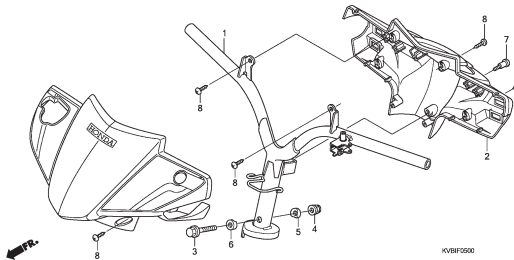
F-4

FR. BRAKE MASTER CYLINDER



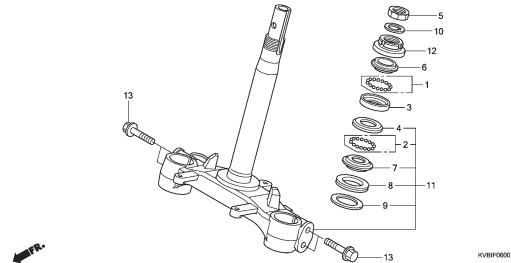
F-5

HANDLE PIPE/HANDLE COVER



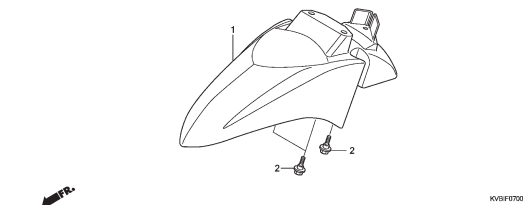
F-6

STEERING STEM



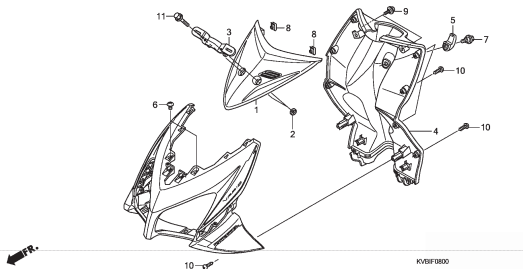
F-7

FRONT FENDER



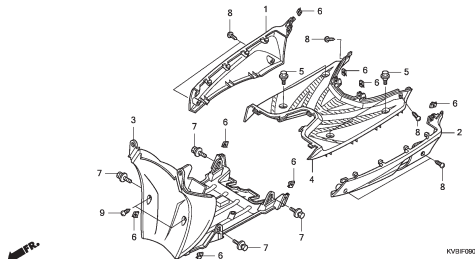
F-8

FRONT COVER



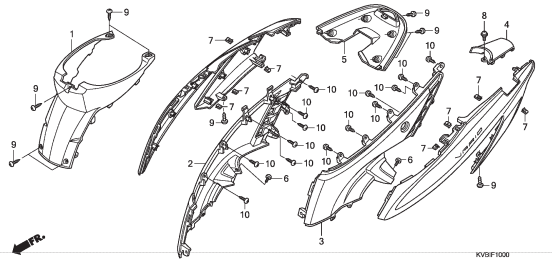
F-9

FLOOR PANEL

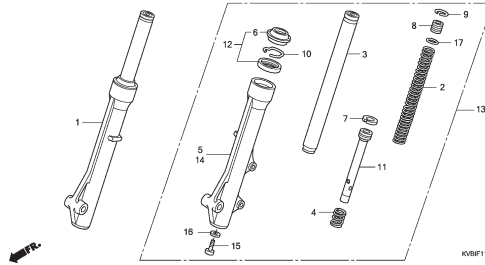


FRAME GROUP

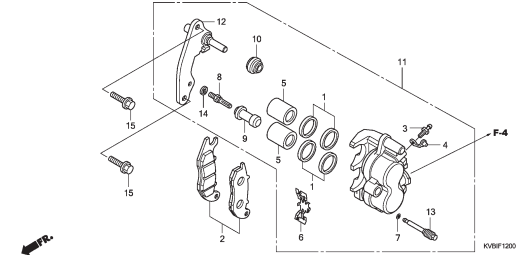
F-10 BODY COVER



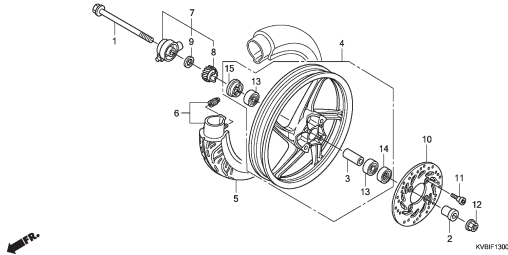
F11 FRONT FORK



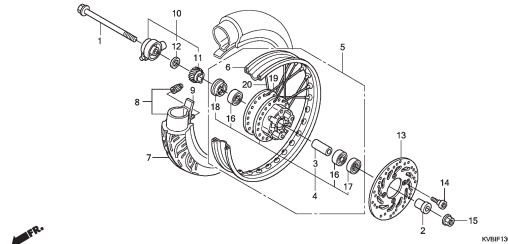
F-12 FRONT BRAKE CALIPER



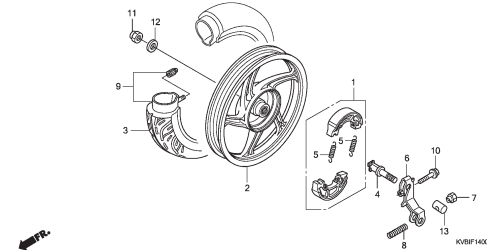
F-13 FRONT WHEEL(CAST)



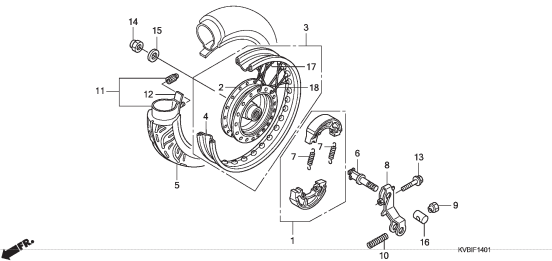
F-13-1 FRONT WHEEL(SPOKE)



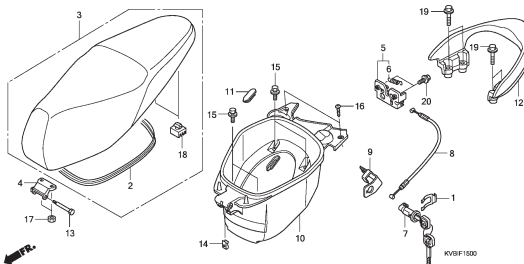
F-14 REAR WHEEL(CAST)



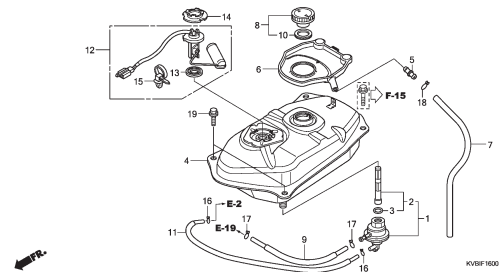
F-14-1 REAR WHEEL(SPOKE)



F-15 SEAT/LUGGAGE BOX



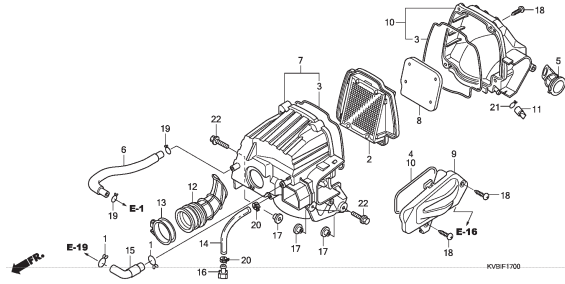
F-16 FUEL TANK



FRAME GROUP

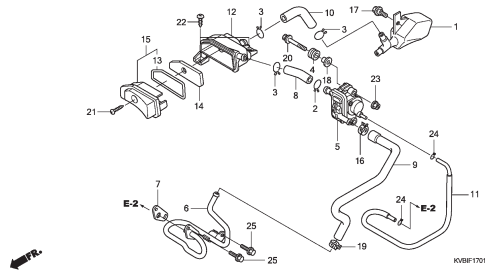
F-17

AIR CLEANER



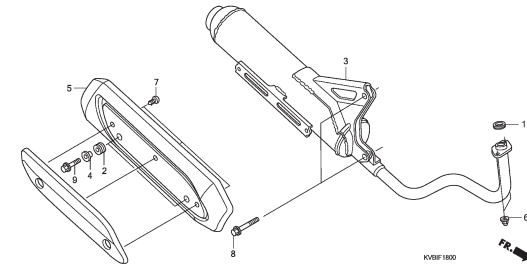
F-17-1

AIR SUCTION VALVE



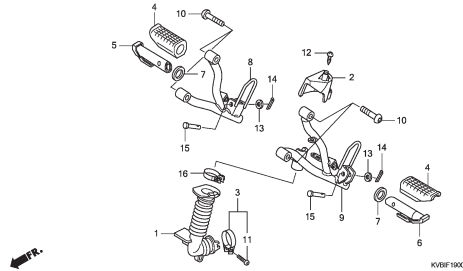
F-18

EXHAUST MUFFLER



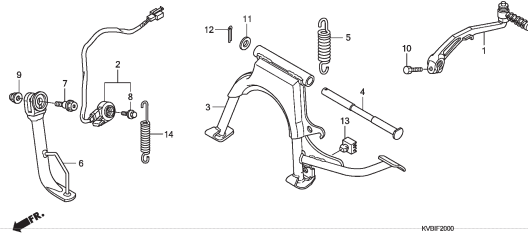
F-19

STEP



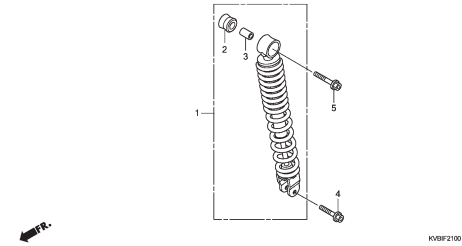
F-20

STAND/KICK ARM



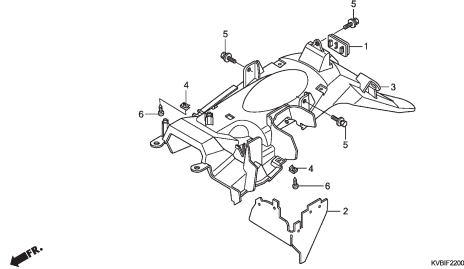
F-21

REAR CUSHION



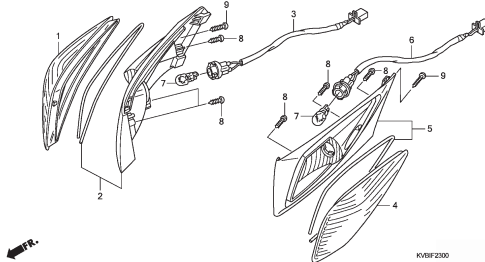
F-22

REAR FENDER



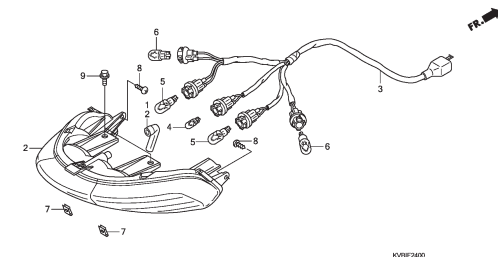
F-23

FRONT WINKER



F-24

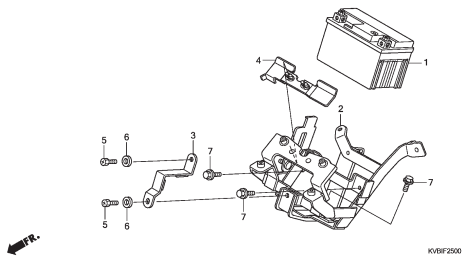
COMBINATION LIGHT



FRAME GROUP

F-25

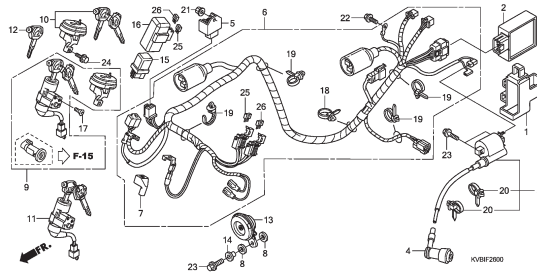
BATTERY



KVBF2500

F-26

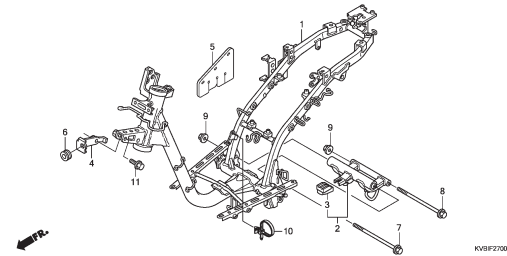
WIRE HARNESS



KVBF2000

F-27

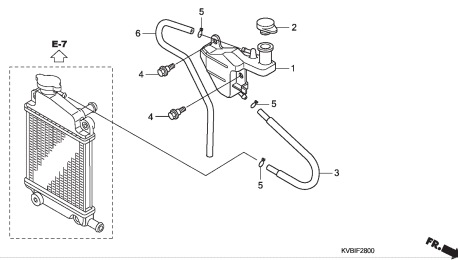
FRAME BODY



KVBF2700

F-28

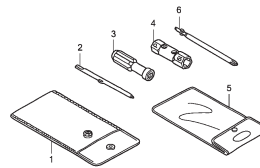
RESERVE TANK



KVBF2800

F-29

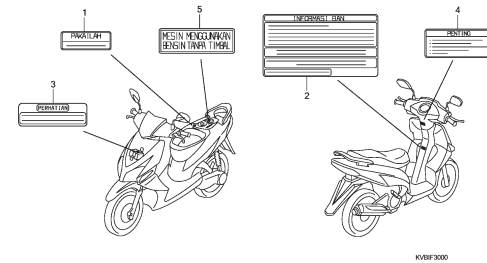
TOOLS



KVBF2900

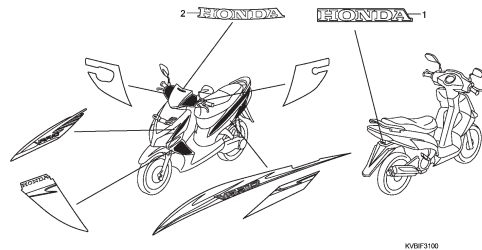
F-30

CAUTION LABEL



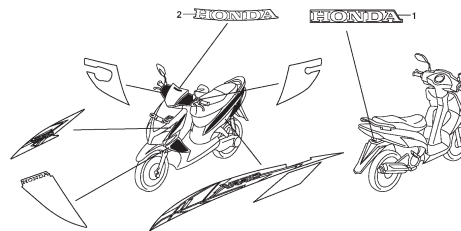
KVBF3000

F-31 MARK/STRIPE(ANC110BCI)



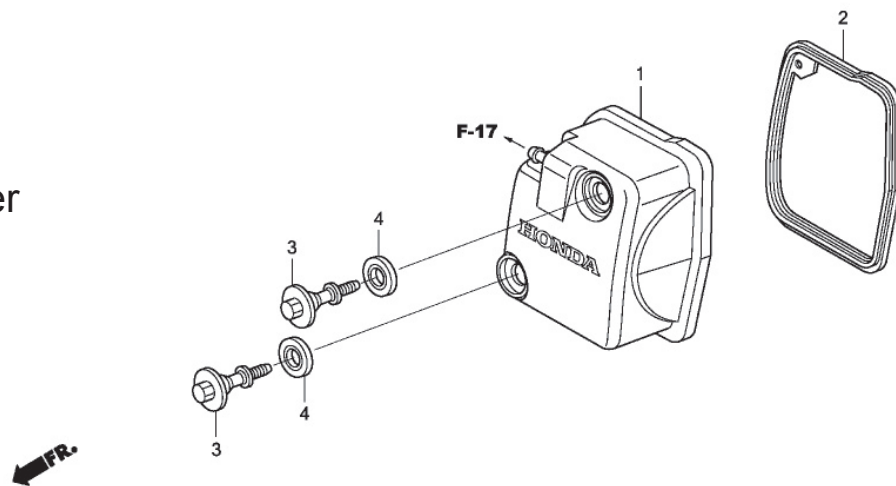
KVBF3100

F-31-1 MARK/STRIPE(ANC110BSI)



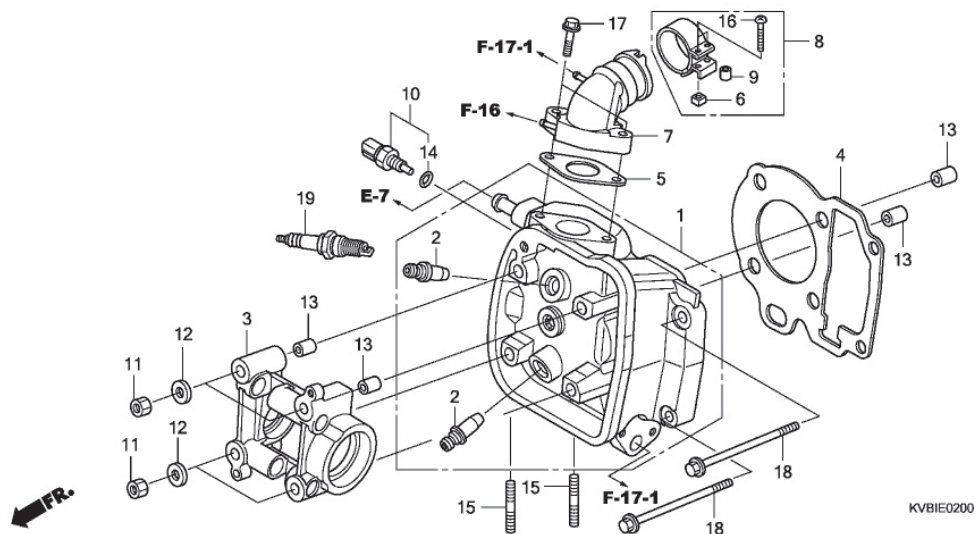
KVBF3101

E - 1
Cylinder Head Cover



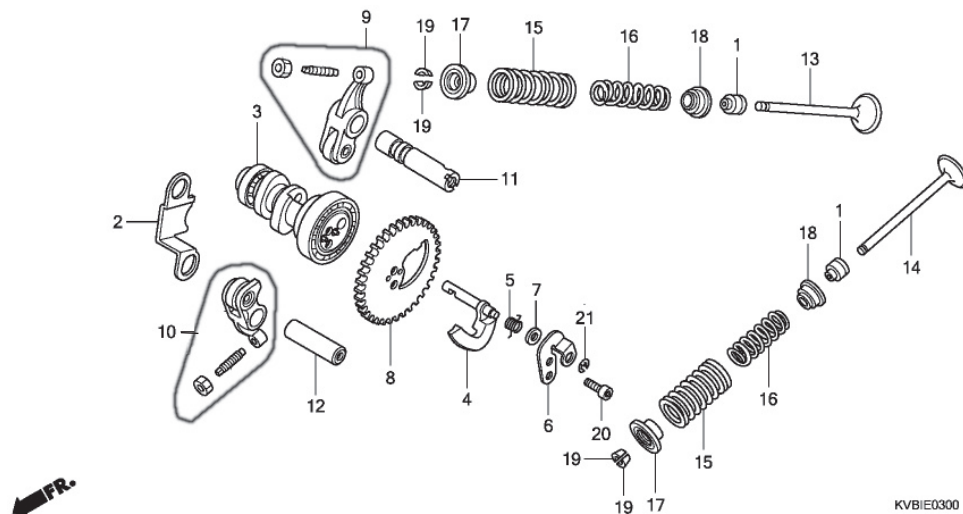
Service item	F.R.T.	No.	Part Number	Description	QTY ANC 110	Notes
1. COVER COMP., HEAD.....	0.3	1	12310-KVB-900	COVER COMP., HEAD	1	
2. GASKET, HEAD COVER	0.3	2	12251-KVB-901	GASKET, HEAD COVER	1	
		3	90017-GCC-000	BOLT, HEAD COVER	2	
		4	90543-MV9-670	RUBBER, MOUNTING	2	

E - 2 Cylinder Head



Service item	F.R.T.	No.	Part Number	Description	QTY ANC 110	Notes
1 HEAD, CYLINDER	2.4	1	12200-KVB-900	HEAD COMP., CYLINDER	1	
. INCLUDES: Valve clearance adjustment and reface		2	12204-KVB-305	GUIDE, VALVE (O.S.)	1	
3 HOLDER, CAMSHAFT.....	1.4	3	12211-KVB-900	HOLDER, CAMSHAFT	1	
4 GASKET, CYLINDER HEAD.....	1.5	4	12251-KVB-901	GASKET, CYLINDER HEAD	1	
		5	16201-KVB-900	GASKET, CARBURETOR INSULATOR	1	
		(6)	16222-MV4-300	NUT, SQUARE, 5MM	1	
7 (5) ANIFOLD, INTAKE.....	0.3	7	17110-KVB-900	PIPE COMP., INLET	1	
10 SENSOR, WATER TEMP.....	0.5	8	17256-KVB-900	BAND, INSULATOR	1	
19 PLUG, SPARK.....	0.2	(9)	17257-KVB-900	COLLAR	1	
		10	37870-HW1-671	SENSOR ASSY., WATER TEMP	1	
		11	90201-GCC-000	NUT, HEX, 7MM	4	
		12	90401-GCC-000	WASHER, 7.2x16x2.5	4	
		13	90701-KFM-900	DOWEL PIN, SPECIAL, 8x14	4	
		(14)	91307-PK2-005	O-RING, 9.5x1.5	1	
		15	92900-06012-OB	BOLT, STUD, 6x12	2	
		(16)	93500-05025-OH	SCREW, PAN, 5x25	1	
		17	95701-06032-00	BOLT, FLANGE, 6x32	2	
		18	95701-06100-00	BOLT, FLANGE, 6x100	2	
		19	98059-57916	PLUG, SPARK (CR7EH9)	1	
			98059-57926	PLUG, SPARK (U22FER9)	1	

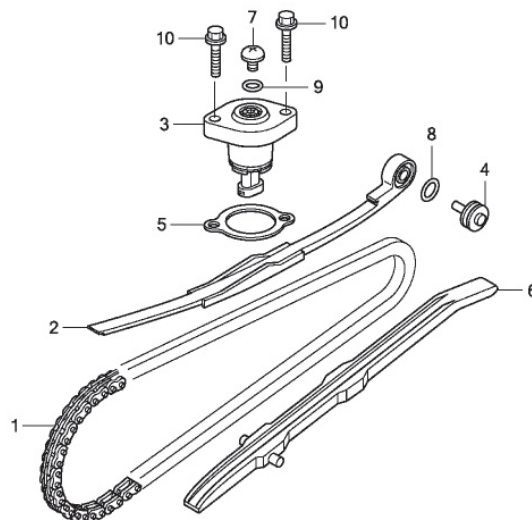
E - 3 Camshaft / Valve



Service item	F.R.T.	No.	Part Number	Description	QTY ANC 110	Notes
3	CAMSHAFT 1.5	1	12209-GB4-681	SEAL, VALVE STEM	2	
	.INCLUDES: Valve clearance adjustment	2	12215-KVB-900	PLATE, CAM STOPPER	1	
	(5,6) WEIGHT, DECOMPRESSION..... 0.8	3	14100-KPH-690	CAMSHAFT COMP.	1	
4	SPROCKET, CAM 0.8	4	14102-KVB-900	WEIGHT, DECOMPRESSION	1	
9	ARM, INTAKE VALVE	5	14106-KVB-900	SPRING, DECOMPRESSION	1	
	ROCKER (ONE) 1.5	6	14107-KVB-900	PLATE, WEIGHT SETTING	1	
	.INCLUDES: Valve clearance adjustment	7	14108-KVB-900	SPACER, DECOMPRESSION SPRING	1	
	ARM, VALVE ROCKER	8	14321-KVB-900	SPROCKET, CAM (34T)	1	
	:FOR 1 VEHICLE 1.5	9	1443A-KVB-930	ARM COMP., IN. VALVE ROCKER	1	
	.INCLUDES: Valve clearance adjustment	10	1444A-KVB-930	ARM COMP., EX. VALVE ROCKER	1	
10	ARM, EXHAUST VALVE	11	14451-KVB-900	SHAFT, IN. ROCKER ARM	1	
	ROCKER(ONE) 1.5	12	14461-KVB-900	SHAFT, EX. ROCKER ARM	1	
	.INCLUDES: Valve clearance adjustment	13	14711-KVB-900	VALVE, IN.	1	
	ARM, VALVE ROCKER	14	14721-KVB-900	VALVE, EX.	1	
	:FOR 1 VEHICLE 1.5	15	14751-KVB-900	SPRING, VALVE	2	
	.INCLUDES: Valve clearance adjustment	16	14761-KVB-900	SPRING, VALVE INNER	2	
13	VALVE, INTAKE(ONE)..... 1.8	17	14771-GB4-680	RETAINER, VALVE SPRING	2	
	.INCLUDES: Refacing	18	14775-KVB-900	SEAT, VALVE SPRING	2	
	.EXCLUDES: Valve guide replacement	19	14781-MA6-000	COTTER, VALVE.	4	
	VALVE :FOR 1 VEHICLE..... 2.0	20	90083-KVB-900	BOLT, SOCKET KNOCK, 5MM	2	
	.INCLUDES: Refacing	21	94540-04018	E-RING, 4MM	1	
	.EXCLUDES: Valve guide replacement					
14	VALVE, EXHAUST(ONE) 1.8					
	.INCLUDES: Refacing					
	.EXCLUDES: Valve guide replacement					
	VALVE :FOR 1 VEHICLE 2.0					
	.INCLUDES: Refacing					
	.EXCLUDES: Valve guide replacement					

E - 4

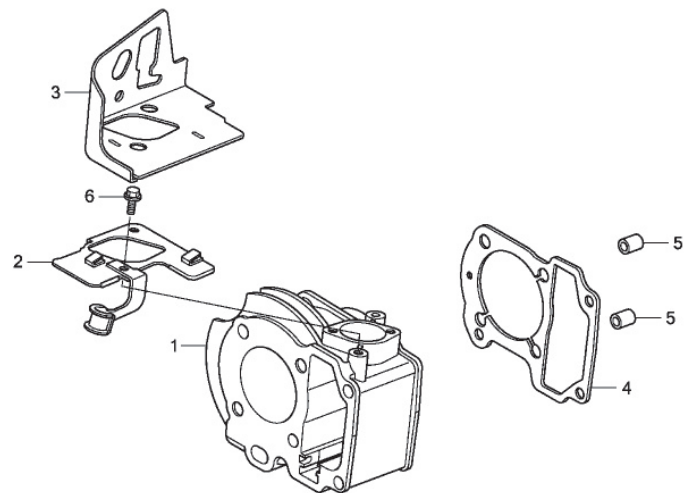
Cam Chain / Tensioner



KVBIE0400

Service item	F.R.T.	No.	Part Number	Description	QTY ANC 110	Notes
1 CHAIN, CAM	3.8	1	14401-KVB-901	CHAIN, CAM (90L)	1	
.INCLUDES: Engine removal and installation		2	14510-KVB-900	TENSIONER, CAM CHAIN	1	
2 TENSIONER, CAM CHAIN	1.9	3	14520-KSS-901	LIFTER ASSY., TENSIONER	1	
3 (5) LIFTER, TENSIONER	0.3	4	14531-KVB-900	PIVOT, CAM CHAIN TENSIONER	1	
6 GUIDE, CAM CHAIN	1.5	5	14560-KCW-851	GASKET, TENSIONER LIFTER	1	
		6	14611-KVB-900	GUIDE, CAM CHAIN	1	
		7	90005-KY7-000	SCREW, PAN, 6X6	1	
		8	91301-GR0-004	O-RING, 15.2X1.5	1	
		9	91306-MG3-000	O-RING, 9.5X1.5	1	
		10	95701-06022-00	BOLT, FLANGE, 6X22	2	

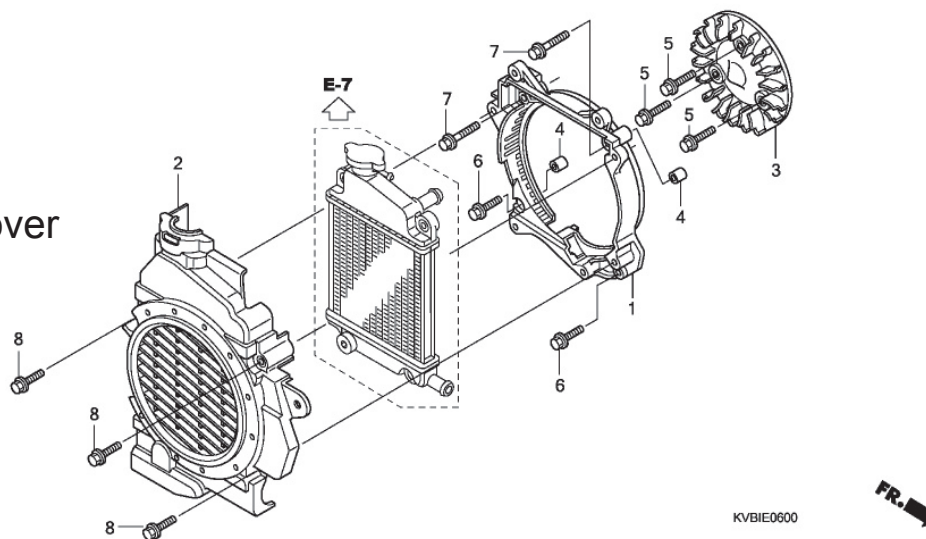
E- 5
Cylinder



Service item	F.R.T.	No.	Part Number	Description	QTY ANC 110	Notes	
1	CYLINDER	1.9	1	12100-KVB-900	CYLINDER COMP.	1	
4	GASKET, CYLINDER	1.8	2	12160-KVB-900	CLAMPER COMP., THROTTLE CABLE	1	
			3	12171-KVB-900	RUBBER, DUST GUARD	1	
			4	12191-KVB-900	GASKET, CYLINDER	1	
			5	90701-KFM-900	DOWEL PIN, SPECIAL, 8X14	2	
			6	95701-06014-00	BOLT, FLANGE, 6X14	2	

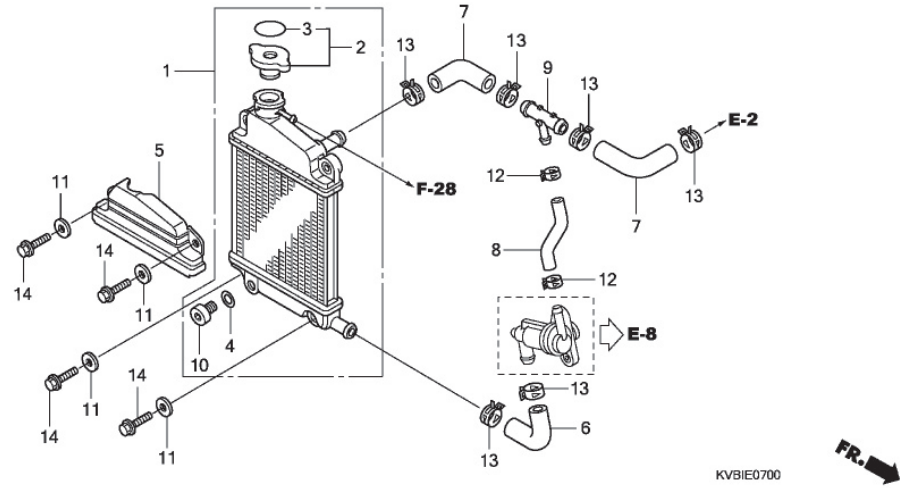
E - 6

Cooling Fan / Radiator Cover



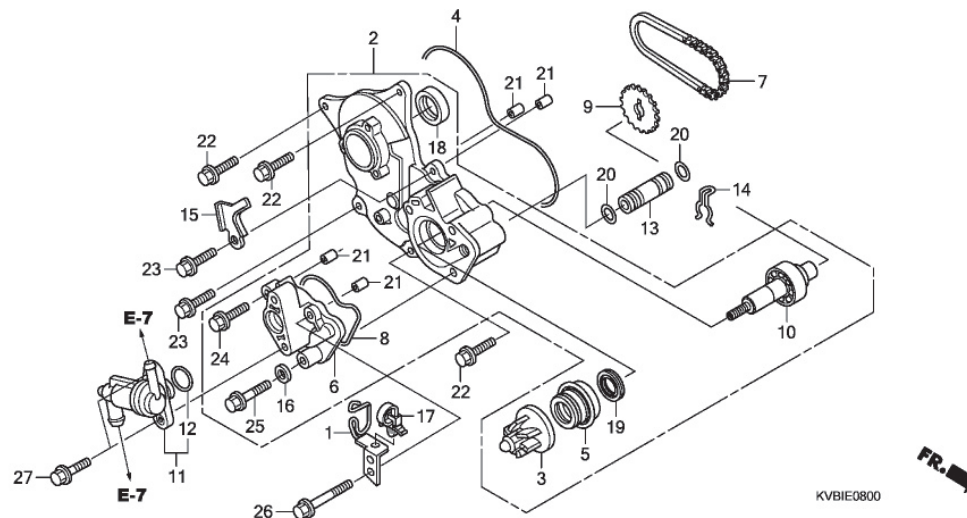
Service item	F.R.T.	No.	Part Number	Description	QTY ANC 110	Notes
1 SHROUD, RADIATOR.....	0.6	1	11331-KVB-900	COVER, R. SIDE	1	
2 COVER, RADIATOR.....	0.1	2	19151-KVB-901	COVER, RADIATOR	1	
3 FAN, COOLING	0.5	3	19510-KVB-900	FAN COMP., COOLING	1	
		4	94301-08100	DOWEL PIN, 8X10	2	
		5	95701-06016-00	BOLT, FLANGE, 6X16	3	
		6	95701-06025-00	BOLT, FLANGE, 6X25	2	
		7	95701-06035-00	BOLT, FLANGE, 6X35	2	
		8	96001-06025-00	BOLT, FLANGE, 6X25	3	

E - 7 Radiator



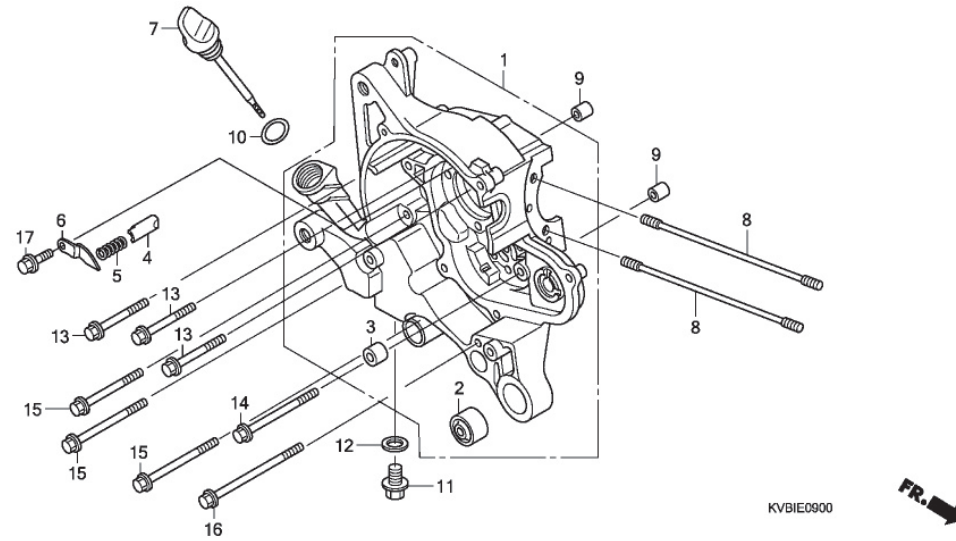
Service item	F.R.T.	No.	Part Number	Description	QTY ANC 110	Notes
1 RADIATOR.....	0.5	1	19010-KVB-901	RADIATOR COMP.	1	
2 CAP, RADIATOR.....	0.2	2	19037-KVB-901	CAP COMP., RADIATOR	1	
		(3)	19046-KVB-901	LABEL, RADIATOR CAP	1	
6 HOSE A, WATER.....	0.6	4	19109-GET-003	SEAL, DRAIN	1	
7 HOSE B, WATER.....	0.5	5	19160-KVB-900	COVER COMP., RADIATOR TOP	1	
.Replace 1 water hose B add.....	0.1					
8 HOSE D, WATER.....	0.4	6	19501-KVB-900	HOSE A, WATER	1	
9 JOINT, 3WAY HOSE.....	0.5	7	19502-KVB-900	HOSE B, WATER	2	
		8	19504-KVB-900	HOSE D, WATER	1	
		9	19507-KVB-900	JOINT, THREE WAY HOSE	1	
		10	90103-GET-003	BOLT, DRAIN (TOYO)	1	
		11	90583-KVB-900	WASHER, PLAIN, 6MM	4	
		12	90678-MR1-690	CLIP, HOSE	2	
		13	90701-MF5-003	CLAMP, WATER HOSE, 21MM	6	
		14	95701-06025-00	BOLT, FLANGE, 6X25	4	

E - 8 Water Pump



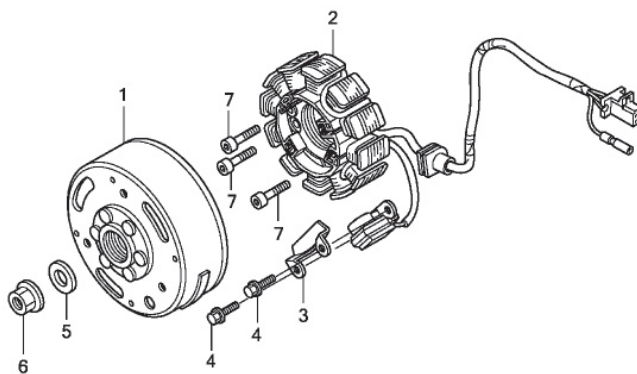
Service item	F.R.T.	No.	Part Number	Description	QTY ANC 110	Notes
2 PUMP ASSY., WATER	1.0	1	11335-KVB-900	STAY, ENGINE HARNESS CLAMP	1	
3 IMPELLER, WATER PUMP	0.7	2	19200-KVB-900	PUMP ASSY., WATER	1	
4 O-RING, STATOR BASE.....	0.9	3	19215-KVB-900	IMPELLER, WATER PUMP	1	
5 (19) MECHANICAL SEAL, WATER PUMP	1.3	4	19216-KVB-900	GASKET, STATOR BASE	1	
		5	19217-MAL-300	SEAL, MECHANICAL	1	
		6	19221-KVB-900	COVER, WATER PUMP	1	
6 (8) COVER, WATER PUMP	0.6	7	19225-KVB-901	CHAIN, WATER PUMP DRIVE (40L)	1	
7 CHAIN, WATER(OIL) PUMP DRIVE..	0.9	8	19226-KVB-900	GASKET, WATER PUMP COVER	1	
9 SPROCKET OR GEAR, WATER PUMPDIVEN.....	0.9	9	19232-KVB-900	SPROCKET, WATER PUMP DRIVEN	1	
10 SHAFT, WATER PUMP	1.2	10	19240-KVB-900	SHAFT COMP., WATER PUMP	1	
11 THERMOSTAT	0.5	11	19300-KVB-901	THERMOSTAT ASSY.	1	
13 (20) PIPE, WATER CONNECTING...	0.9	(12)	19381-KVB-900	O-RING	1	
18 OIL SEAL, CRANKSHAFT :RIGHT	1.1	13	19422-KVB-900	PIPE B, WATER	1	
OIL SEAL, CRANKSHAFT :BOTH	3.9	14	19505-KVB-900	CLIP, RING	1	
.INCLUDES: Engine removal and installation		15	32961-KVB-900	CLAMP A, A.C. GENERATOR CORD	1	
		16	90463-ML7-000	WASHER, SEALING, 6.5MM	1	
		17	90672-SAO-003	STRAP, CABLE, 118MM (BLACK)	1	
		18	91201-KCW-851	OIL SEAL, 19.8X30X7	1	
		19	91203-436-004	OIL SEAL, 12X24X5	1	
		20	91301-KVB-900	O-RING, 12.5X2.4	2	
		21	94301-08100	DOWEL PIN, 8X10	4	
		22	95701-06018-00	BOLT, FLANGE, 6X18	3	
		23	95701-06025-00	BOLT, FLANGE, 6X25	2	
		24	95701-06030-00	BOLT, FLANGE, 6X30	1	
		25	95701-06035-00	BOLT, FLANGE, 6X35	1	
		26	95701-06055-00	BOLT, FLANGE, 6X55	1	
		27	96001-06020-00	BOLT, FLANGE, 6X20	2	

E - 9 Right Crankcase



Service item	F.R.T.	No.	Part Number	Description	QTY ANC 110	Notes
1 CRANKCASE :RIGHT.....	3.6	1	11100-KVB-931	CRANKCASE COMP., R.	1	
.INCLUDES: Engine removal and installation		2	11103-KVB-930	BUSH, ENGINE HANGER RUBBER	1	
CRANKCASE :BOTH.....	4.7	3	11205-GBC-300	BUSH, MAINSTAND	1	
.INCLUDES: Engine removal and installation		4	11214-KVB-900	PLUG, BEARING PUSH	1	
		5	11216-KPH-900	SPRING, BEARING PUSH	1	
		6	11217-KVB-901	PLATE, BEARING PUSH	1	
		7	15651-KVB-900	GAUGE, OIL LEVEL	1	
		8	90031-KVB-900	BOLT A, STUD, 7X193.5	2	
		9	90702-KVB-900	PIN, SPECIAL DOWEL, 6.3X10X12	2	
		10	91307-035-000	O-RING, 18X3	1	
		11	92800-12000	BOLT, DRAIN PLUG, 12MM	1	
		12	94109-12000	WASHER, DRAIN PLUG, 12MM	1	
		13	95701-06055-00	BOLT, FLANGE, 6X55	3	
		14	95701-06070-00	BOLT, FLANGE, 6X70	1	
		15	95701-06080-00	BOLT, FLANGE, 6X80	3	
		16	95701-06115-00	BOLT, FLANGE, 6X115	1	
		17	96001-06012-00	BOLT, FLANGE, 6X12	1	

E - 10 Generator

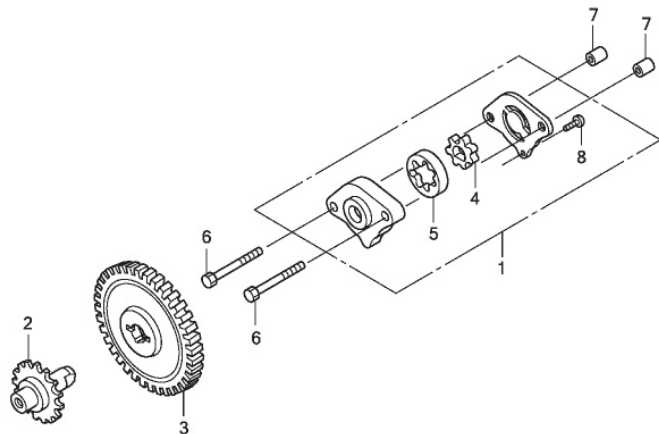


KVBIE1000



Service item	F.R.T.	No.	Part Number	Description	QTY ANC 110	Notes
1 ROTOR OR FLYWHEEL.....	0.7	1	31110-KVB-931	FLYWHEEL COMP. (MITSUBA)	1	
2 STATOR.....	1.5	2	31120-KVB-931	STATOR COMP. (MITSUBA)	1	
		3	32962-KVB-900	CLAMP B, A.C. GENERATOR CORD	1	
		4	90002-KGH-900	BOLT, FLANGE, 5X14	2	
		5	90439-SB2-010	WASHER, SPECIAL, 24X12X2.3	1	
		6	94050-12000	NUT, FLANGE, 12MM	1	
		7	96700-06022-00	BOLT, SOCKET, 6X22	3	

E - 11
Oil Pump



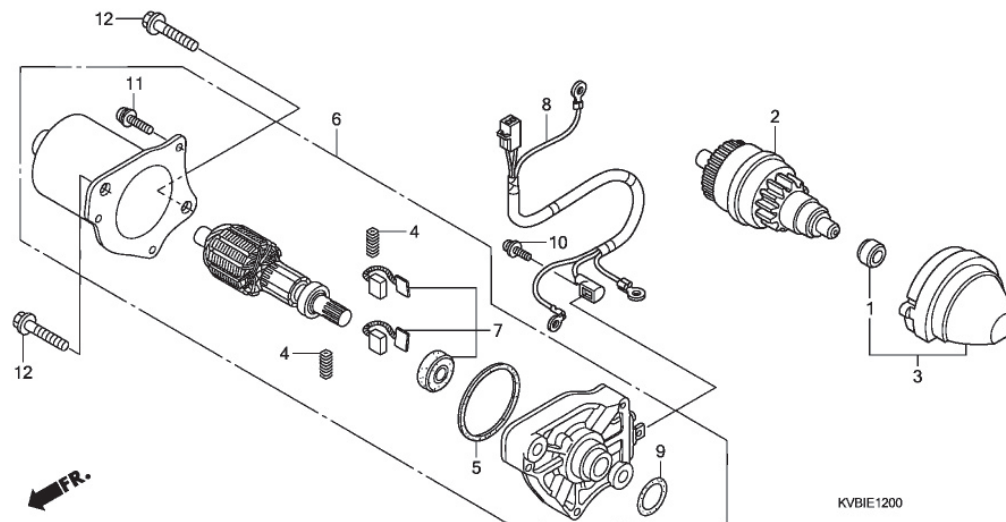
KVBIE1100



Service item	F.R.T.	No.	Part Number	Description	QTY ANC 110	Notes
1 PUMP ASSY., OIL.....	1.0	1	15100-KVB-900	PUMP ASSY., OIL	1	
2 SPROCKET, WATER PUMP DRIVE ...	0.9	2	15130-KVB-900	SHAFT COMP., OIL PUMP	1	
3 GEAR, OIL PUMP DRIVEN.....	0.9	3	15133-KVB-900	GEAR, OIL PUMP DRIVEN (33T)	1	
		(4)	15331-KVB-900	ROTOR, OIL PUMP INNER	1	
		(5)	15332-KVB-900	ROTOR, OIL PUMP OUTER	1	
		6	90002-GFC-900	BOLT, HEX., 6X30	2	
		7	90702-KFM-900	DOWEL PIN, 8X12	2	
		(8)	93901-34120	SCREW, TAPPING, 4X8	1	

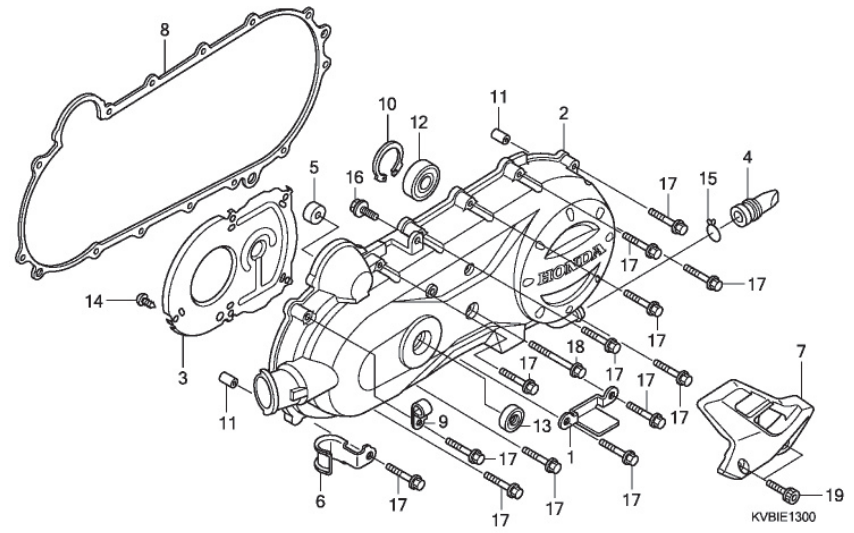
E - 12

Starting Motor



Service item	F.R.T.	No.	Part Number	Description	QTY ANC 110	Notes
2 PINION, STARTER	0.3	1	11205-GW3-931	BUSH, 8X12X6	1	
3 HOLDER, STARTER DRIVE GEAR....	0.2	2	28120-KVB-901	PINION ASSY., STARTER	1	
		3	28150-KVB-900	HOLDER COMP., STARTER PINION	1	
6 MOTOR, STARTING	0.8	(4)	31204-KG8-004	SPRING, CARBON BRUSH	2	
7 (4) TERMINAL, BRUSH(STARTER)...	1.0	(5)	31206-GW3-004	PACKING	1	
8 SUB HARNESS, STARTER	1.1	6	31210-KVB-901	MOTOR UNIT, STARTER	1	
		(7)	31213-KEE-630	BRACKET COMP., FR.	1	
		8	32105-KVB-901	SUB CORD, STARTER MOTOR	1	
		(9)	91309-KEE-630	O-RING	1	
		10	93892-04006-08	SCREW-WASHER, 4X6	1	
		(11)	93892-05016-08	SCREW-WASHER, 5X16	3	
		12	96001-06035-00	BOLT, FLANGE, 6X35	2	

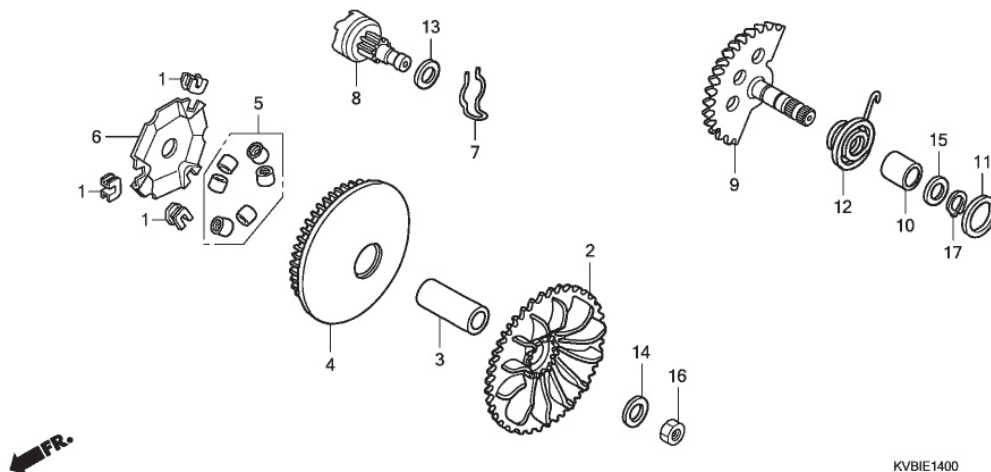
E - 13
Left Crankcase Cover



Service item	F.R.T.	No.	Part Number	Description	QTY ANC 110	Notes
2 COVER, CRANKCASE :LEFT	0.5	1	11230-KVB-900	COVER, VENT HOLE	1	
7 COVER, CRANKCASE SUB :LEFT	0.1	2	11340-KVB-900	COVER COMP., L. SIDE	1	
8 GASKET, CRANKCASE COVER :LEFT .	0.2	3	11342-KVB-900	PLATE, L. COVER	1	
		4	1134B-KVB-930	TUBE, ASSY DRAIN	1	
		5	11344-GW3-980	RUBBER, STARTER PINION HOLDER	1	
12 BEARING, DRIVESHAFT :LEFT.....	0.4					
BEARING, DRIVESHAFT :BOTH	1.3	6	11344-KVB-900	CLAMPER, AIR CLEANER DRAIN	1	
13 OIL SEAL, KICK STARTER SPINDLE	0.2	7	11350-KVB-900	COVER COMP., AIR MANAGEMENT	1	
		8	11395-KVB-900	GASKET, L. COVER	1	
		9	16236-KVB-900	CLAMPER, DRAIN TUBE	1	
		10	90652-KVB-900	CIRCLIP, INTERNAL, 32MM	1	
		11	90702-KFM-900	DOWEL PIN, 8X12	2	
		12	91005-KVB-900	BEARING COMP., RADIAL BALL	1	
		13	91211-PE9-003	OIL SEAL, 16X26X6 (ARAI)	1	
		14	93903-34120	SCREW, TAPPING, 4X8	5	
		(15)	95002-80000	CLIP, TUBE (C-12)	1	
		16	96001-06014-00	BOLT, FLANGE, 6X14	1	
		17	96001-06035-00	BOLT, FLANGE, 6X35	13	
		18	96001-06085-00	BOLT, FLANGE, 6X85	1	
		19	96600-06022-07	BOLT, SOCKET, 6X22	2	

E - 14

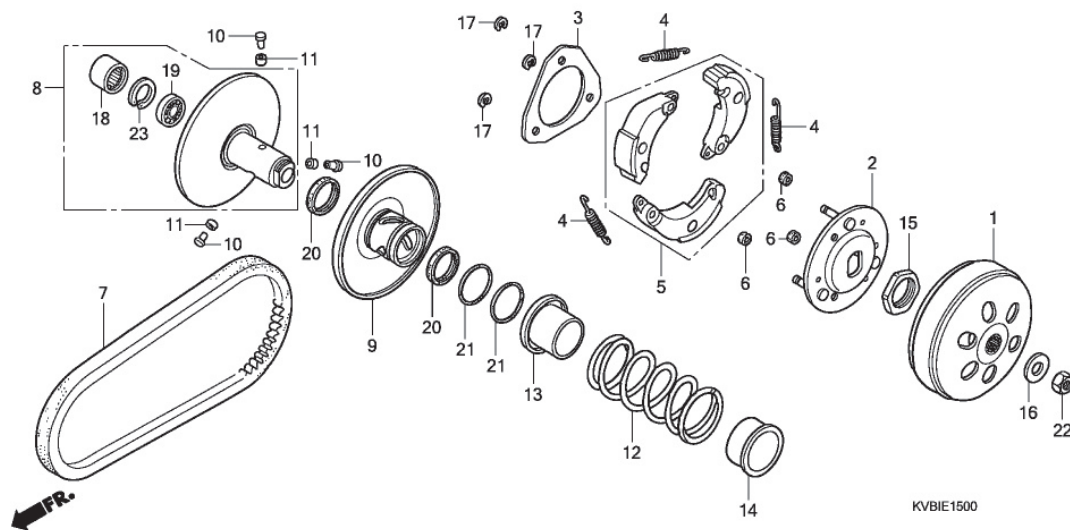
Drive Face



KVBI1400

Service item	F.R.T.	No.	Part Number	Description	QTY ANC 110	Notes
2 FACE, DRIVE	0.4	1	22132-GCC-771	PIECE SET, SLIDE	3	
4 (3) FACE, MOVABLE DRIVE	0.4	2	22102-KVB-900	FACE COMP., DRIVE	1	
5 (1,6) ROLLER, WEIGHT	0.4	3	22105-KVB-900	BOSS, DRIVE FACE	1	
		4	22110-KVB-900	FACE COMP., MOVABLE DRIVE	1	
		5	22121-KVB-900	ROLLER, WEIGHT	6	
8 (7,13) GEAR, KICK STARTER DRIVEN	0.2	6	22131-KVB-900	PLATE, RAMP	1	
9 SPINDLE, KICK STARTER	0.4	7	28223-GCC-000	SPRING, KICK DRIVEN GEAR	1	
12 SPRING, KICK STARTER RETURN...	0.4	8	28230-KVB-900	GEAR COMP., KICK STARTER SPINDLE (7T)	1	
		9	28250-KVB-900	SPINDLE COMP., KICK STARTER	1	
		10	28253-KVB-900	BUSH, KICK SPINDLE	1	
		11	28255-GS6-000	COLLAR, KICK BOSS	1	
		12	28281-GCC-000	SPRING, KICK RETURN	1	
		13	90412-329-000	WASHER, THRUST, 10MM	1	
		14	90426-KVB-900	WASHER, SPECIAL, 14MM	1	
		15	90439-443-740	WASHER, 16X22	1	
		16	94030-14200	NUT, HEX., 14MM	1	
		17	94511-16000	CIRCLIP, EXTERNAL, 16MM	1	

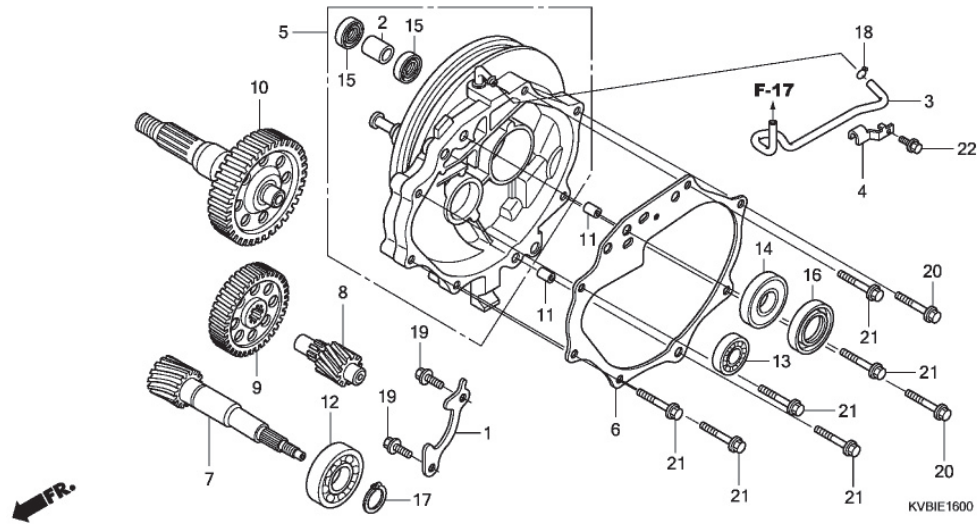
E - 15
Driven Face



Service item	F.R.T.	No.	Part Number	Description	QTY ANC 110	Notes
1 OUTER, CLUTCH	0.3	1	22100-KVB-900	OUTER COMP., CLUTCH	1	
5 (2,3,4) WEIGHT SET, CLUTCH	0.6	2	22350-KVB-900	PLATE COMP., DRIVE	1	
		3	22361-KVB-900	PLATE, CLUTCH SIDE	1	
7 BELT, DRIVE	0.4	4	22401-KVB-900	SPRING, CLUTCH	3	
8 FACE, DRIVEN	0.5	5	22535-KVB-900	WEIGHT SET, CLUTCH	1	
9 (10,11,20) FACE, MOVABLE DRIVEN..	0.5	6	22804-GB2-000	RUBBER, CLUTCH DAMPER	3	
		7	23100-KVB-901	BELT, DRIVE	1	
12 (13,14,21) SPRING, DRIVEN FACE ...	0.5	8	23200-KVB-900	FACE ASSY., DRIVEN	1	
18 (19) BEARING, DRIVEN FACE	0.6	9	23220-KVB-900	FACE COMP., MOVABLE DRIVEN	1	
.Replace 1 bearing add	0.1	10	23225-KSY-900	PIN, ROLLER GUIDE	3	
		11	23226-KVB-900	ROLLER, GUIDE	3	
		12	23233-KVB-900	SPRING, DRIVEN FACE	1	
		13	23237-GY6-940	COLLAR, SEAL	1	
		14	23238-KVB-900	COLLAR, SPRING	1	
		15	90202-KN7-670	NUT, SPECIAL, 30MM	1	
		16	90441-GY6-940	WASHER, 12.2X29X2.5	1	
		17	90605-166-720	CIRCLIP, 7MM	3	
		18	91001-KCW-003	BEARING, NEEDLE, 20X29X18	1	
		19	91002-GA7-701	BEARING, RADIAL BALL, 6902U	1	
		20	91211-KN7-671	SEAL, DRIVEN FACE, 34X41X4	2	
		21	91384-KVB-900	O-RING, 38.8X1.9	2	
		22	94030-12200	NUT, HEX., 12MM	1	
		23	94520-28000	CIRCLIP, INTERNAL, 28MM	1	

E - 16

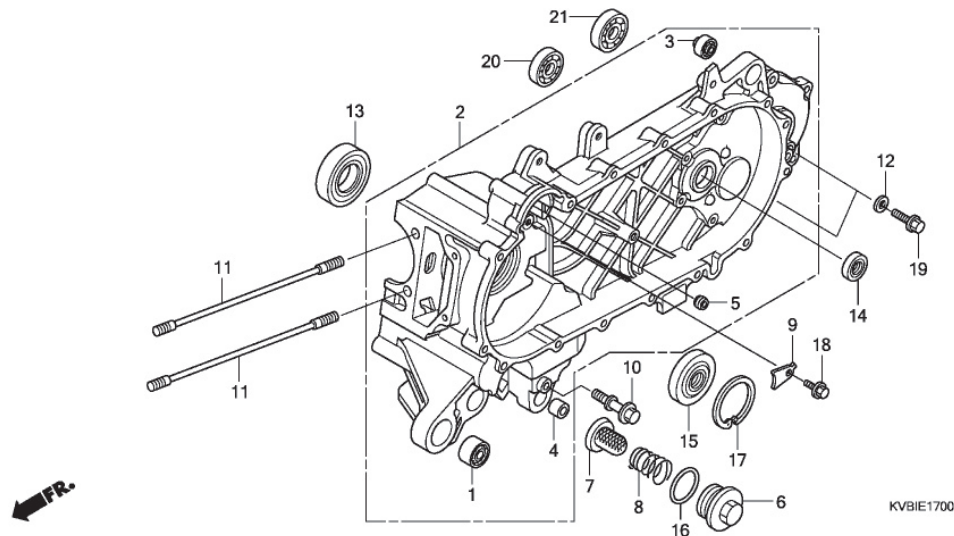
Transmission



Service item	F.R.T.	No.	Part Number	Description	QTY ANC 110	Notes
5 CASE, TRANSMISSION	1.2	1	11108-KVB-900	PLATE, MISSION BEARING SETTING	1	
6 GASKET, TRANSMISSION CASE.....	0.8	2	11204-KGF-900	SLEEVE, RR. BRAKE CAM	1	
		3	11211-KVB-900	TUBE, BREATHER	1	
7 SHAFT, DRIVE	1.1	4	11241-KVB-900	CLAMPER, BREATHER TUBE	1	
8 COUNTERSHAFT, TRANSMISSION ...	0.8	5	21200-KVB-900	CASE COMP., MISSION	1	
9 GEAR, COUNTER	0.8					
10 SHAFT, FINAL GEAR	0.8	6	21395-KVB-900	GASKET, MISSION CASE	1	
		7	23411-KVG-900	SHAFT, DRIVE (19T)	1	
12 BEARING, DRIVESHAFT :RIGHT	1.1	8	23421-KVB-900	SHAFT, COUNTER (12T)	1	
BEARING, DRIVESHAFT :BOTH	1.3	9	23422-KVG-900	GEAR, COUNTER (54T)	1	
13 BEARING, COUNTERSHAFT :RIGHT	1.0	10	23430-KVB-900	GEAR COMP., FINAL (45T)	1	
BEARING, COUNTERSHAFT :BOTH...	1.2					
14 BEARING, FINAL GEAR SHAFT :RIGHT	1.0	11	90702-KFM-900	DOWEL PIN, 8X12	2	
BEARING, FINAL GEAR SHAFT :BOTH	1.2	12	91001-KE6-831	BEARING, RADIAL BALL, 6204	1	
		13	91007-KVB-901	BEARING, RADIAL BALL, 6201	1	
		14	91009-KVB-901	BEARING, RADIAL BALL, 60/22 UU	1	
16 OIL SEAL, TRANSMISSION COVER ..	0.9	15	91201-434-003	OIL SEAL, 14X20X3	2	
		16	91255-KVB-902	OIL SEAL, 29X44X7	1	
		17	94510-20000	CIRCLIP, EXTERNAL, 20MM	1	
		18	95002-50000	CLIP, TUBE (C9)	1	
		19	95701-06014-00	BOLT, FLANGE, 6X14	2	
		20	95701-06030-00	BOLT, FLANGE, 6X30	2	
		21	95701-06040-00	BOLT, FLANGE, 6X40	6	
		22	96001-06016-00	BOLT, FLANGE, 6X16	1	

E - 17

Left Crankcase

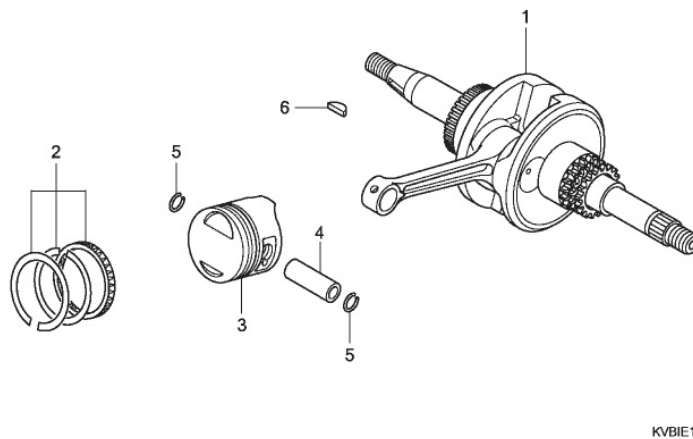


KVBIE1700

Service item	F.R.T.	No.	Part Number	Description	QTY ANC 110	Notes
2 CRANKCASE :LEFT	4.6	1	11103-KVB-901	BUSH, ENGINE HANGER RUBBER	1	
.INCLUDES: Engine removal and installation		2	11200-KVB-900	CRANKCASE COMP., L.	1	
CRANKCASE :BOTH.....	4.7	3	11203-KVB-901	BUSH, RR. CUSHION UNDER RUBBER	1	
.INCLUDES: Engine removal and installation		4	11205-GBC-300	BUSH, MAINSTAND	1	
		5	11205-GW3-980	BUSH, 8X12X6	1	
		6	12361-035-000	CAP, TAPPET ADJUSTING HOLE	1	
7 (6,8,16) SCREEN, OIL FILTER	0.2	7	15421-107-000	SCREEN, OIL FILTER	1	
13 BEARING, CRANKSHAFT :LEFT	3.8	8	15426-KVB-900	SPRING, OIL FILTER SCREEN	1	
.INCLUDES: Engine removal and installation		9	23531-MG2-790	PLATE, BEARING SETTING	1	
14 OIL SEAL, DRIVESHAFT.....	1.1	10	90016-GAM-690	BOLT, SPECIAL, 6X27	1	
15 OIL SEAL, CRANKSHAFT :LEFT	3.8	11	90032-KVB-900	BOLT B, STUD, 7X198.5	2	
.INCLUDES: Engine removal and installation		12	90474-333-000	WASHER, SEALING, 8MM	2	
OIL SEAL, CRANKSHAFT :BOTH	3.9	13	91002-KVB-930	BEARING, RADIAL BALL SPECIAL,	1	
.INCLUDES: Engine removal and installation		14	91202-KJ9-003	OIL SEAL, 20X32X6	1	
		15	91202-KVB-901	OIL SEAL, 20.8X52X6X7.5	1	
		16	91302-001-020	O-RING, 30.8MM	1	
20 BEARING, COUNTERSHAFT :LEFT..	1.0	17	94520-52150	CIRCLIP, INTERNAL, 52MM	1	
BEARING, COUNTERSHAFT :BOTH.	1.2	18	95701-06016-00	BOLT, FLANGE, 6X16	1	
21 BEARING, FINAL GEAR SHAFT		19	95701-08012-00	BOLT, FLANGE, 8X12	2	
:LEFT.....	1.0	20	96100-63010-00	BEARING, RADIAL BALL, 6301	1	
BEARING, FINAL GEAR SHAFT						
:BOTH	1.2	21	96100-63020-00	BEARING, RADIAL BALL, 6302	1	

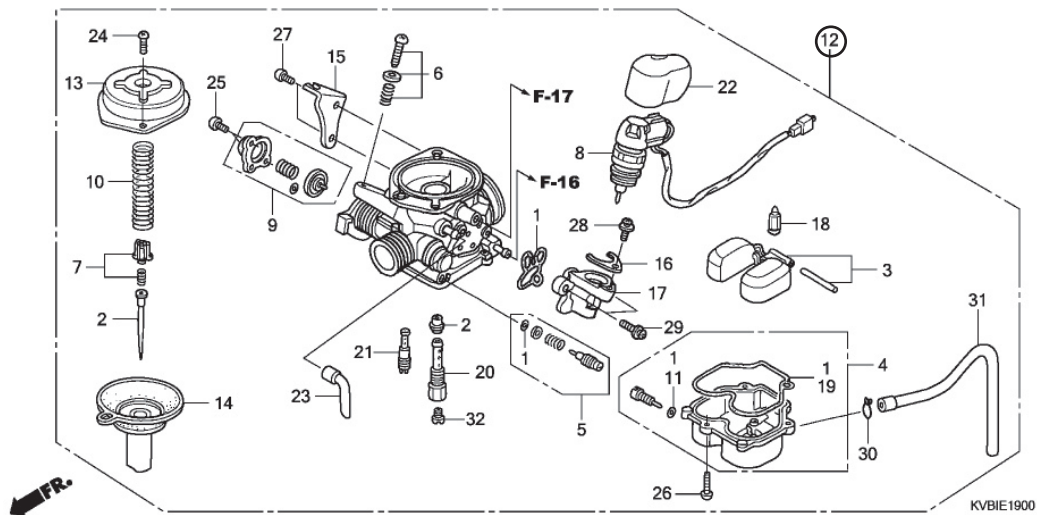
E - 18

Crankshaft / Piston



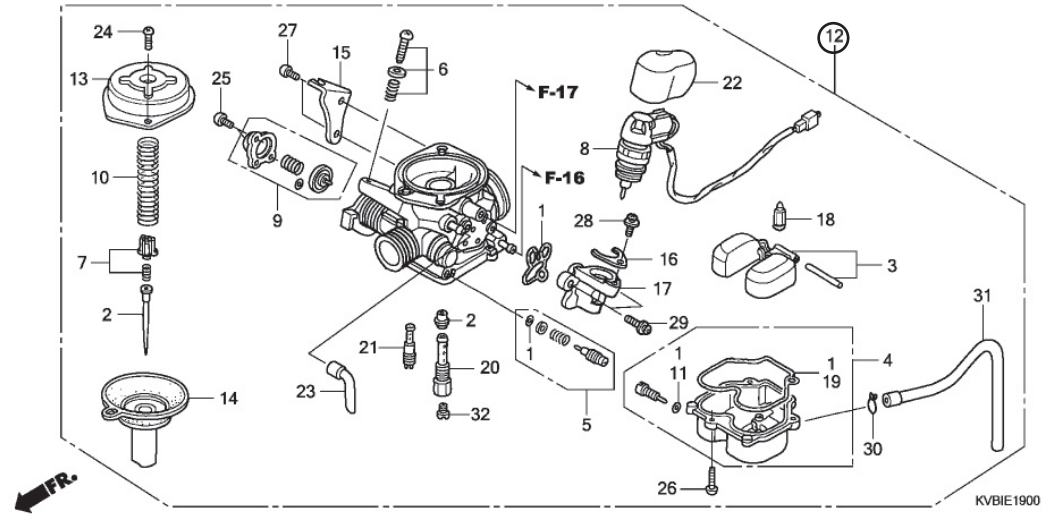
Service item	F.R.T.	No.	Part Number	Description	QTY ANC 110	Notes
1 CRANKSHAFT.....	4.0	1	13000-KVB-930	CRANKSHAFT COMP.	1	
.INCLUDES: Engine removal and installation						
3 (2,4,5)		2	13011-KVB-900	RING SET, PISTON (STD.)	1	
			13012-KVB-900	RING SET, PISTON (0.25)	(1)	
			13013-KVB-900	RING SET, PISTON (0.50)	(1)	
			13014-KVB-900	RING SET, PISTON (0.75)	(1)	
			13015-KVB-900	RING SET, PISTON (1.00)	(1)	
RING, PISTON AND/OR PISTON (ONE).....	2.0	3	13101-KVB-930	PISTON	1	
			13102-KVB-930	PISTON (0.25)	(1)	
			13103-KVB-930	PISTON (0.50)	(1)	
			13104-KVB-930	PISTON (0.75)	(1)	
			13105-KVB-930	PISTON (1.00)	(1)	
		4	13111-087-000	PIN, PISTON	1	
		5	13115-GN5-910	CLIP, PISTON PIN, 13MM	2	
		6	90741-003-010	KEY, WOODRUFF, 4MM	1	

E - 19 Carburetor



Service item	F.R.T.	No.	Part Number	Description	QTY ANC 110	Notes
2 NEEDLE, JET	0.6	1	16010-KGF-911	GASKET SET	1	
3 (18) FLOAT OR FLOAT VALVE	0.5	2	6012-KVB-931	NEEDLE SET, JET	1	
4 CHAMBER, FLOAT	0.4	3	16013-KRP-981	FLOAT SET	1	
		4	16015-KVB-901	CHAMBER SET, FLOAT	1	
8 BYSTARTER, AUTO	0.9	5	16016-KRP-981	SCREW SET A	1	
		6	16028-KVB-901	SCREW SET B	1	
12 CARBURETOR ASSEMBLY	0.9	7	16037-KCW-000	PLATE SET, VALVE	1	
14 PISTON, VACUUM	0.2	8	16046-KVB-901	BYSTARTER ASSY., AUTO	1	
32 (20,21)JET, MAIN	0.5	9	16048-KVB-901	VALVE SET, AIR CUT	1	
		10	16050-KVB-902	SPRING, COMPRESSION COIL	1	
		11	16075-GHB-640	O-RING, 1.3X4.3	1	
		⑫	16100-KVB-931	CARBURETOR ASSY. (AVK2CC A)	1	
		13	16107-GCC-000	TOP	1	
		14	16111-KVB-902	PISTON COMP., VACUUM	1	
		15	16119-KVB-901	STAY, WIRE	1	
		16	16131-ZW9-801	PLATE, SETTING	1	
		17	16140-GFC-901	BODY COMP., BYSTARTER	1	
		18	16155-KJ9-751	VALVE COMP., FLOAT	1	
		19	16163-KGF-911	GASKET, FLOAT CHAMBER	1	
		20	16165-KVB-901	HOLDER, NEEDLE JET	1	
		21	16180-KGH-971	JET, SLOW, #35	1	
		22	16190-GEE-003	CAP, HOLDER	1	
		23	16199-KVB-901	TUBE	1	
		24	93500-04008-1H	SCREW, PAN, 4X8	2	
		25	93500-04010-1H	SCREW, PAN, 4X10	2	

E - 19 Carburetor

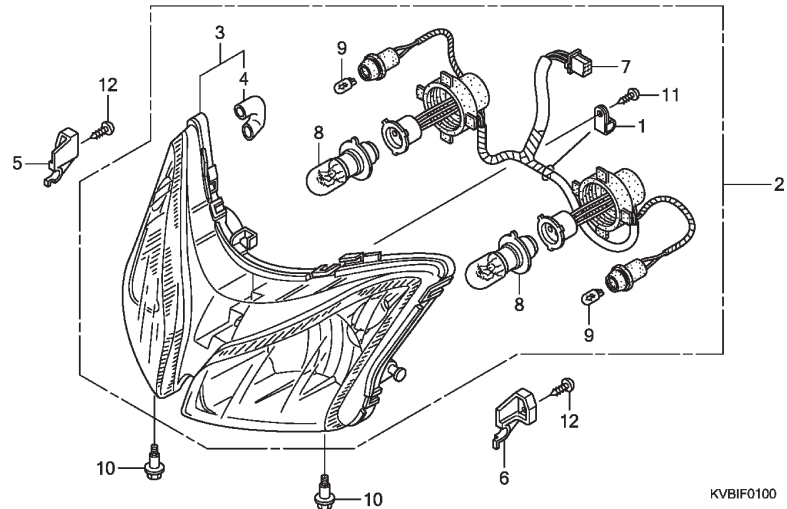


2

Service item	F.R.T.	No.	Part Number	Description	QTY ANC 110	Notes
		26	93500-04012-1H	SCREW, PAN, 4X12	3	
		27	93500-05012-1H	SCREW, PAN, 5X12	2	
		28	93892-04008-18	SCREW-WASHER, 4X8	1	
		29	93892-05012-18	SCREW-WASHER, 5X12	2	
		30	95002-02089	CLIP, TUBE (B8)	1	
		31	95005-45330-50	TUBE, 4.5X330	1	
		32	99101-KPB-1020	JET, MAIN, #102	1	

F - 1

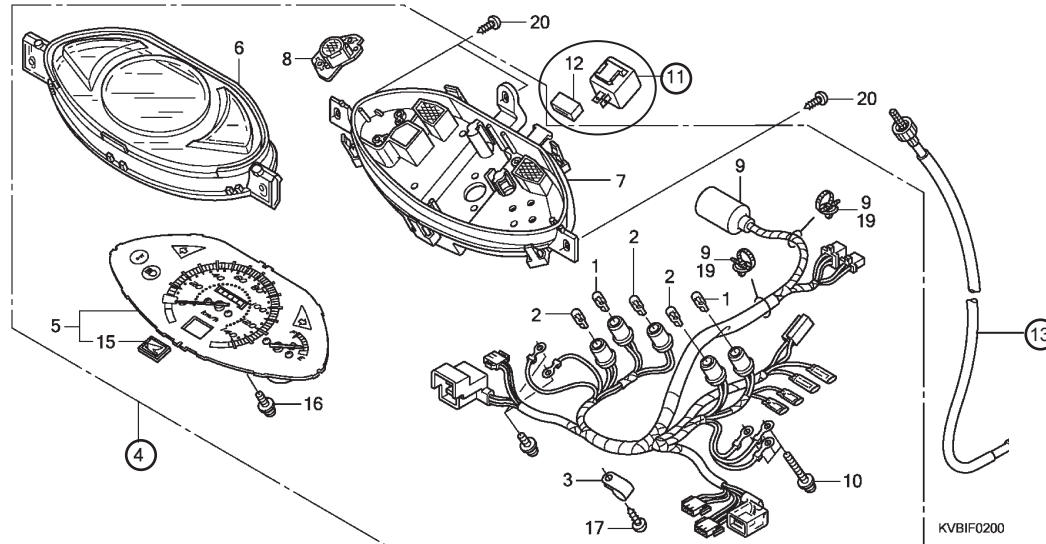
Headlight



Service item	F.R.T.	No.	Part Number	Description	QTY ANC110	Notes
2 HEADLIGHT ASSEMBLY	0.5	1	32920-MN5-003	CLAMP, CORD	1	
3 HEADLIGHT UNIT	0.5	2	33100-KVB-931	HEADLIGHT ASSY. (12V 25/25W)	1	
		(3)	33110-KVB-931	HEADLIGHT UNIT	1	
7 SUB CORD, HEADLIGHT.....	0.3	4	33113-MAT-611	PIPE, CP	2	
8 BULB, HEADLIGHT	0.3	5	33118-KVB-900	BRACKET, R. HEADLIGHT	1	
.NOTE: Same time for two units						
9 BULB, POSITION LIGHT	0.3	6	33119-KVB-900	BRACKET, L. HEADLIGHT	1	
.NOTE: Same time for two units						
		7	33150-KVB-931	SOCKET ASSY., HEADLIGHT	1	
		8	34901-KFV-B51	BULB, HEADLIGHT (12V 25/25W)	2	
		9	34908-GA7-701	BULB, WEDGE BASE (T10) (12V 3.4W)	2	
		10	90101-GJ6-000	BOLT, ADJUSTING	2	
		11	93901-34310	SCREW, TAPPING, 4X12	1	
		12	93903-35320	SCREW, TAPPING, 5X16	2	

F - 2

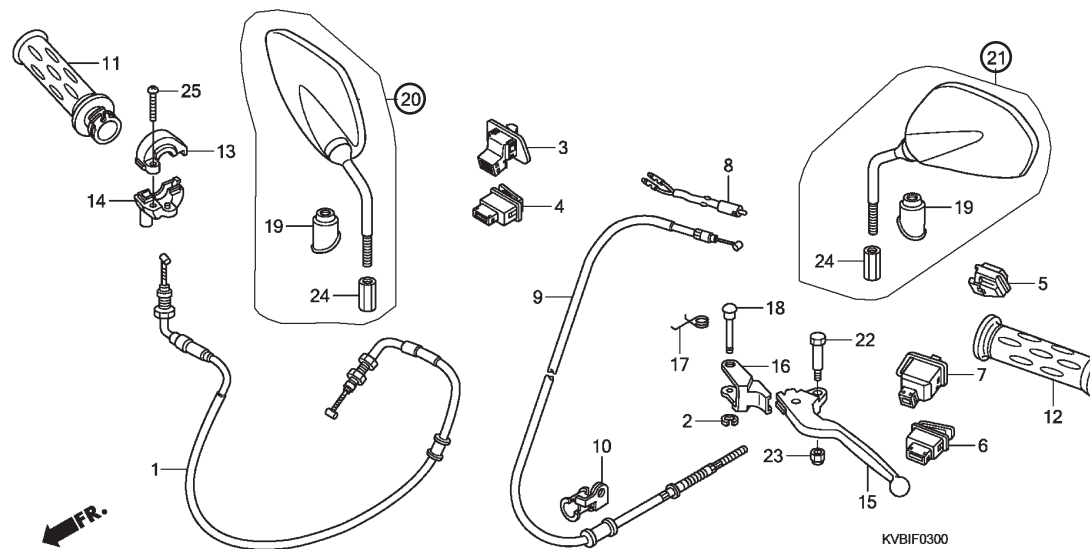
Meter



Service item	F.R.T.	No.	Part Number	Description	QTY ANC110	Notes
4 METER ASSY., COMBINATION.....	0.6	1	34908-GA7-701	BULB, WEDGE BASE (T10) (12V 3.4W)	2	
5 SPEEDOMETER.....	0.6	2	34908-KTF-641	BULB, WEDGE BASE (T10 12V1.7W)	3	
		3	37121-ML7-671	CLAMP	1	
6 LENS, METER.....	0.4	④	37200-KVB-931	SPEEDOMETER ASSY.	1	
7 CASE, METER.....	0.6	(5)	37210-KVB-931	SPEEDOMETER COMP.	1	
8 INDICATOR, L.E.D.....	0.6					
9 SOCKET ASSY., METER BULB.....	0.7	(6)	37211-KVB-901	LENS	1	
11 RELAY, WINKER.....	0.2	(7)	37212-KVB-901	CASE ASSY.	1	
13 CABLE, SPEEDOMETER.....	0.3	(8)	37213-KVB-901	INDICATOR COMP., LED	1	
14 CABLE, SPEEDOMETER INNER....	0.1	9	37224-KVB-931	SOCKET COMP.	1	
		(10)	37305-KE5-008	SCREW-WASHER, 3X22	3	
		⑪	38300-KRS-971	RELAY ASSY., WINKER	1	
		(12)	38306-KK4-000	SUSPENSION, WINKER RELAY	1	
		⑬	44830-KVB-900	CABLE COMP., SPEEDOMETER	1	
		(14)	44831-KVB-900	CABLE, INNER	1	
		(15)	86150-KPG-901	EMBLEM, PRODUCT	1	
			86150-KPG-902	EMBLEM, PRODUCT	1	
		(16)	90035-166-008	SCREW-WASHER, SPECIAL, 4X10	2	
		(17)	90109-MZ5-008	SCREW, TAPPING, 4X14	1	
		(18)	91352-671-003	O-RING, 8.5X1.5	1	
		(19)	91540-KPH-902	CLIP, HARNESS BAND	2	
		20	93903-25310	SCREW, TAPPING, 5X16	3	

F - 3

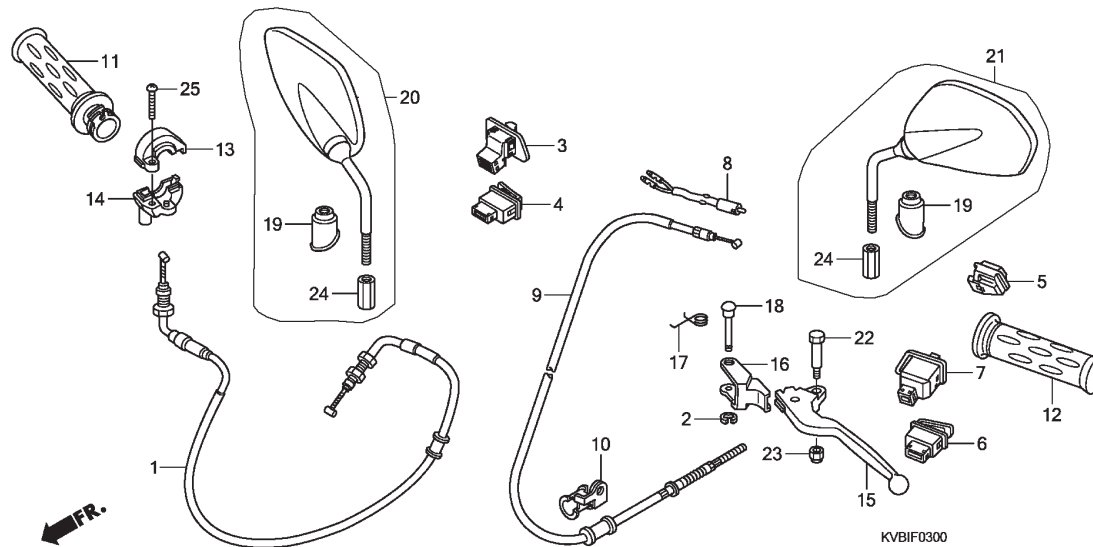
Handle Lever/ switch/ Cable



Service item	F.R.T.	No.	Part Number	Description	QTY ANC110	Notes
1 CABLE, THROTTLE.....	1.4	1	17910-KVB-900	CABLE COMP., THROTTLE	1	
3 SWITCH, LIGHTING.....	0.3	2	30158-GW3-980	E-RING, 3MM	1	
4 SWITCH, STARTER.....	0.3	3	35150-KPH-880	SWITCH UNIT, LIGHTING	1	
5 SWITCH, DIMMER.....	0.3	4	35160-KPH-881	SWITCH UNIT, STARTING	1	
6 SWITCH, HORN.....	0.3	5	35170-KPH-651	SWITCH UNIT, DIMMER	1	
7 SWITCH, WINKER.....	0.3	6	35180-KPH-881	SWITCH UNIT, HORN	1	
8 SWITCH, REAR STOP : LEVER SIDE.....	0.3	7	35200-KVB-900	SWITCH ASSY., WINKER	1	
SWITCH, STOP :BOTH.....	0.4	8	35340-KPH-901	SWITCH ASSY., FR. STOP	1	
9 CABLE, REAR BRAKE.....	1.4	9	43450-KVB-930	CABLE COMP., RR. BRAKE	1	
11 GRIP, THROTTLE.....	0.3	10	43455-KVB-900	CLAMPER, RR. BRAKE CABLE	1	
12 GRIP, HANDLE :LEFT.....	0.1	11	53140-KVB-900	GRIP COMP., THROTTLE	1	
15 LEVER, HANDLE :LEFT.....	0.2	12	53166-KVB-900	GRIP, L. HANDLE	1	
LEVER, HANDLE :BOTH.....	0.4	13	53167-KFM-900	HOUSING, UPPER THROTTLE	1	
16 LEVER, PARKING LOCK.....	0.2	14	53168-KFM-900	HOUSING, UNDER THROTTLE	1	
		15	53178-KVB-930	LEVER, L. STEERING HANDLE	1	
		16	53181-KVB-930	LEVER COMP., BRAKE LOCK	1	
		17	53182-KVB-900	SPRING, RETURN LEVER	1	
		18	53183-KVB-900	PIN, PARKING LEVER PIVOT	1	
		(19)	88114-KVB-900	CAP, LOCK NUT	2	

F - 3

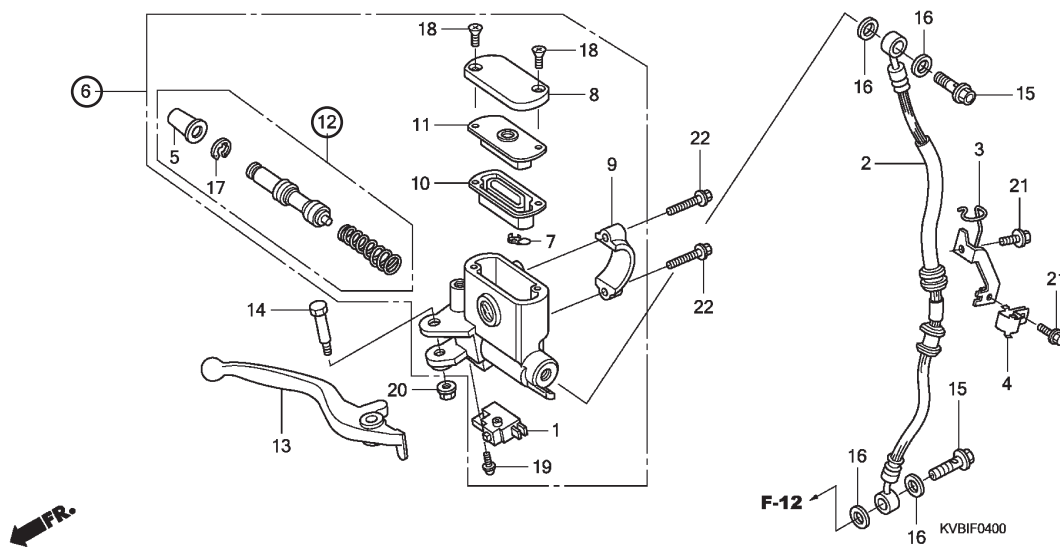
Handle Lever/ switch/ Cable



Service item	F.R.T.	No.	Part Number	Description	QTY ANC110	Notes
		(20)	88110-KVB-930SBM	MIRROR ASSY., R. *B195M* SPORTY BLUE METALLIC	1	
			88110-KVB-930SSM	*NH131M* STARLIGHT SILVER METALLIC	1	
			88110-KVB-930PFM	*NH341P* PEARL FADELESS WHITE	1	
			88110-KVB-930WRD	*R258* WINNING RED	1	
			88110-KVB-930FBM	*B198M* FROZEN BLUE METALLIC	1	
			88110-KVB-930JGM	*G196M* JAZZY GREEN METALLIC	1	
			88110-KVB-930PPM	*RP178M* POWDER PINK METALLIC	1	
		(21)	88120-KVB-930SBM	MIRROR ASSY., L. *B195M* SPORTY BLUE METALLIC	1	
			88120-KVB-930SSM	*NH131M* STARLIGHT SILVER METALLIC	1	
			88120-KVB-930PFM	*NH341P* PEARL FADELESS WHITE	1	
			88120-KVB-930WRD	*R258* WINNING RED	1	
			88120-KVB-930FBM	*B198M* FROZEN BLUE METALLIC	1	
			88120-KVB-930JGM	*G196M* JAZZY GREEN METALLIC	1	
			88120-KVB-930PPM	*RP178M* POWDER PINK METALLIC	1	
		22	90115-KRS-690	BOLT, HANDLE LEVER PIVOT	1	
		23	90302-435-761	NUT, HEX., 5MM	1	
		(24)	90314-KVB-900	NUT, LOCK	2	
		25	93500-05025-0A	SCREW, PAN, 5X25	1	

F - 4

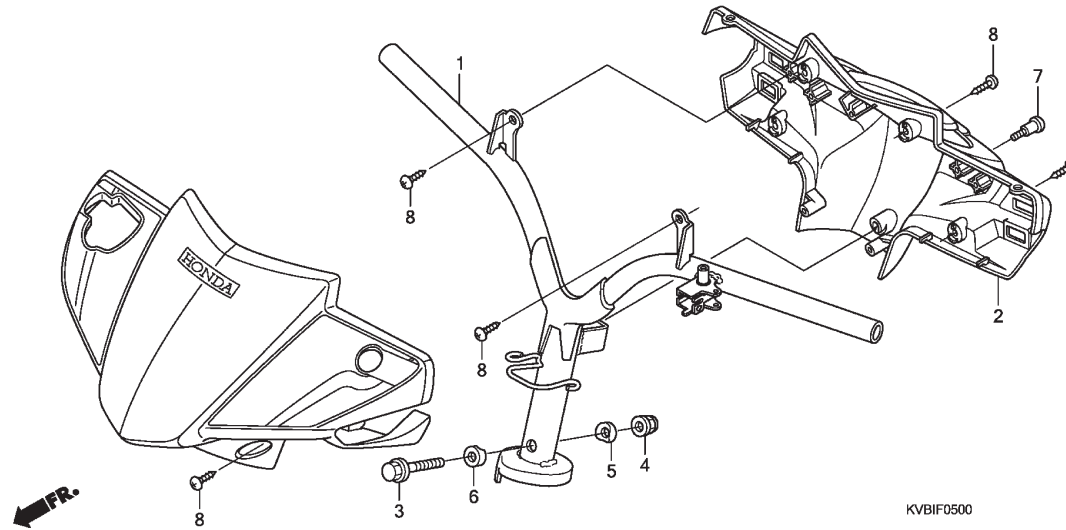
Fr. Brake Master Cylinder



Service item	F.R.T.	No.	Part Number	Description	QTY ANC110	Notes
1 SWITCH, FRONT STOP.....	0.2	1	35340-MA5-671	SWITCH ASSY., FR. STOP	1	
SWITCH, STOP :BOTH.....	0.4	2	45126-KVB-911	HOSE COMP., FR. BRAKE	1	
2 HOSE, FRONT BRAKE.....	0.8	3	45156-KVB-910	CLAMPER, BRAKE HOSE	1	
.INCLUDES: Bleed brakes		4	45157-KAN-850	CLAMPER B, BRAKE HOSE	1	
6 CYLINDER, FRONT BRAKE MASTER.....	0.6	5	45504-410-003	BOOT COMP.	1	
.INCLUDES: Bleed brakes		6	45500-KVB-931	CYLINDER ASSY., FR. BRAKE MASTER	1	
10 DIAPHRAGM, FRONT BRAKE MASTER CYLINDER.....	0.1	7	45512-MA6-006	PROTECTOR	1	
		8	45513-GW0-911	CAP, MASTER CYLINDER	1	
		9	45517-GW0-751	HOLDER, MASTER CYLINDER	1	
		10	45520-GW0-911	DIAPHRAGM	1	
12 PISTON SET, FRONT BRAKE MASTER.....	0.6	11	45521-GW0-911	PLATE, DIAPHRAGM	1	
.INCLUDES: Bleed brakes		12	45530-471-831	CYLINDER SET, MASTER	1	
13 LEVER, HANDLE :RIGHT.....	0.2	13	53175-KVB-930	LEVER, R. STEERING HANDLE	1	
LEVER, HANDLE :BOTH.....	0.4	14	90114-KGH-900	BOLT, HANDLE LEVER PIVOT	1	
		15	90145-KPH-B30	BOLT, OIL, 10X22 (NISSIN)	2	
		16	90545-300-000	WASHER, OIL BOLT	4	
		17	90651-MA5-671	CIRCLIP	1	
		18	93600-04012-1G	SCREW, FLAT, 4X12	2	
		19	93893-04012-17	SCREW-WASHER, 4X12	1	
		20	94050-06000	NUT, FLANGE, 6MM	1	
		21	95701-06012-00	BOLT, FLANGE, 6X12	2	
		22	95701-06022-00	BOLT, FLANGE, 6X22	2	

F - 5

Handle Pipe / Handle Cover

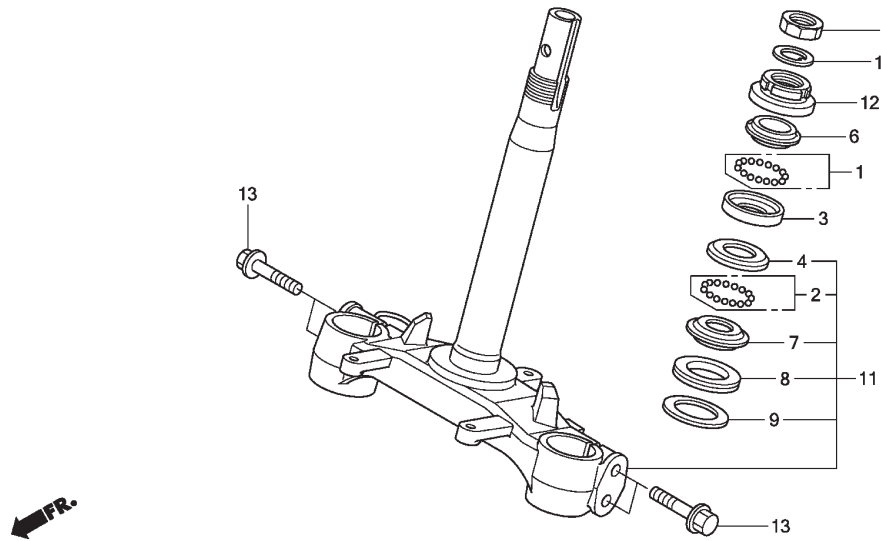


KVBIF0500

Service item	F.R.T.	No.	Part Number	Description	QTY ANC110	Notes
1 PIPE, STEERING HANDLE	0.7	1	53100-KVB-930	PIPE COMP., STEERING HANDLE	1	
2 COVER, HANDLE :REAR.....	0.5	2	35205-KVB-930	COVER, HANDLE FR. *NHA35M*	1	
COVER, HANDLE :BOTH.....	0.7	3	90106-GN5-900	BOLT, FLANGE, 10x50	1	
		4	90304-KGH-901	NUT, U, 10 M	1	
		5	90501-KPH-880	COLLAR A, HANDLE SETTING	1	
		6	90505-KPH-880	COLLAR B, HANDLE SETTING	1	
		7	91422-KVB-900	SCREW, SPECIAL PAN, 5MM	1	
		8	93903-34380	SCREW, TAPPING, 4x12	8	

F - 6

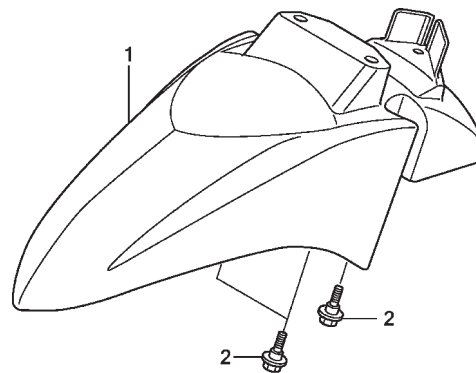
Steering Stem



Service item	F.R.T.	No.	Part Number	Description	QTY ANC110	Notes
3	RACE, STEERING BALL :UPPER...	1	06530-GBG-B20	BALL SET, STEEL, #6x23	1	
	RACE, STEERING BALL :BOTH.....	2	06531-GBG-B20	BALL SET, STEEL, #6x29	2	
4	RACE, STEERING BALL :LOWER..	3	50301-KPH-720	RACE, STEERING TOP BALL	1	
	RACE, STEERING BALL :BOTH.....	4	50302-KPH-720	RACE, STEERING BOTTOM BALL	1	
6	RACE, STEERING TOP CONE	5	50306-GN5-900	NUT, STEERING STEM LOCK	1	
7	RACE, STEERING BOTTOM CONE	6	53211-KPH-720	RACE, STEERING TOP CONE	1	
		7	53212-KPH-720	RACE, STEERING BOTTOM CONE	1	
11	STEM OR SHAFT ASSY., STEERING.....	8	53214-GN5-900	DUST SEAL, STEERING HEAD	1	
		9	53215-GN5-900	WASHER, STEERING HEAD DUST SEAL	1	
12	THREAD, STEERING HEAD TOP...	10	53216-GN5-830	WASHER, STEERING STEM NUT	1	
		11	5320A-KVB-930	STEM ASSY., STEERING	1	
		12	53220-GN5-900	THREAD COMP., STEERING HEAD TOP	1	
		13	95801-10045-00	BOLT, FLANGE, 10X45	4	

F - 7

Front Fender

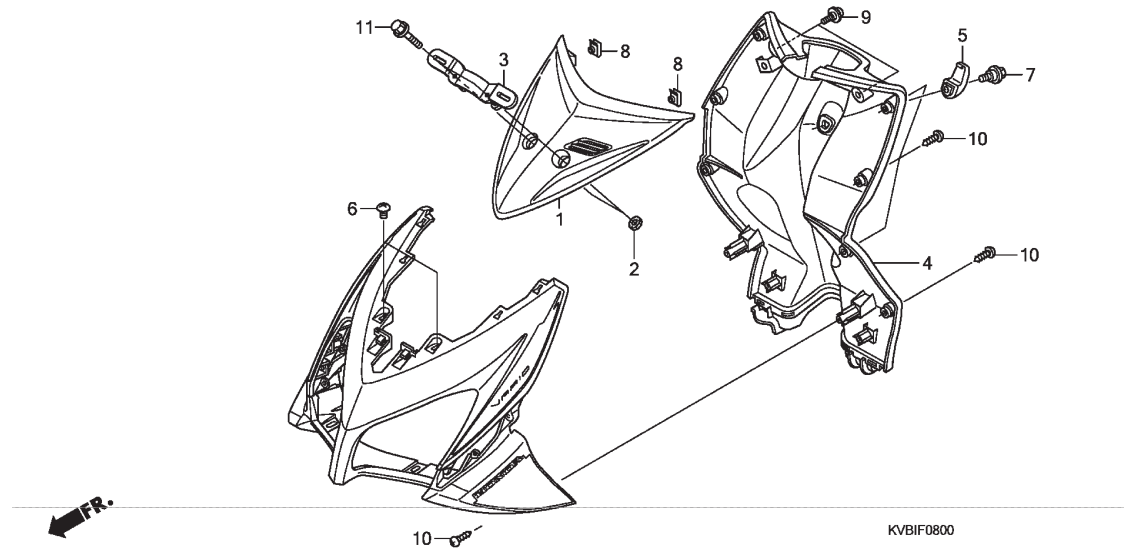


KVBIF0700

Service item	F.R.T.	No.	Part Number	Description	QTY ANC110	Notes		
1 FENDER, FRONT	0.1	1	61100-KVB-930FBM	FENDER, FR.				
				B198M.....	FROZEN BLUE METALLIC	1		
				61100-KVB-930JGM	*G196M*.....	JAZZY GREEN METALLIC	1	
				61100-KVB-930SSM	*NH1*.....	STARLIGHT SILVER MET / BLACK	1	
				61100-KVB-930PFM	*NH341P*.....	PEARL FADELESS WHITE	1	
				61100-KVB-930PPM	*RP178M*.....	POWDER PINK METALLIC	1	
				61100-KVB-930WRD	*R258*.....	WINNING RED	1	
			2	90116-KVB-900	BOLT, FLANGE, 6MM	3		

F - 8

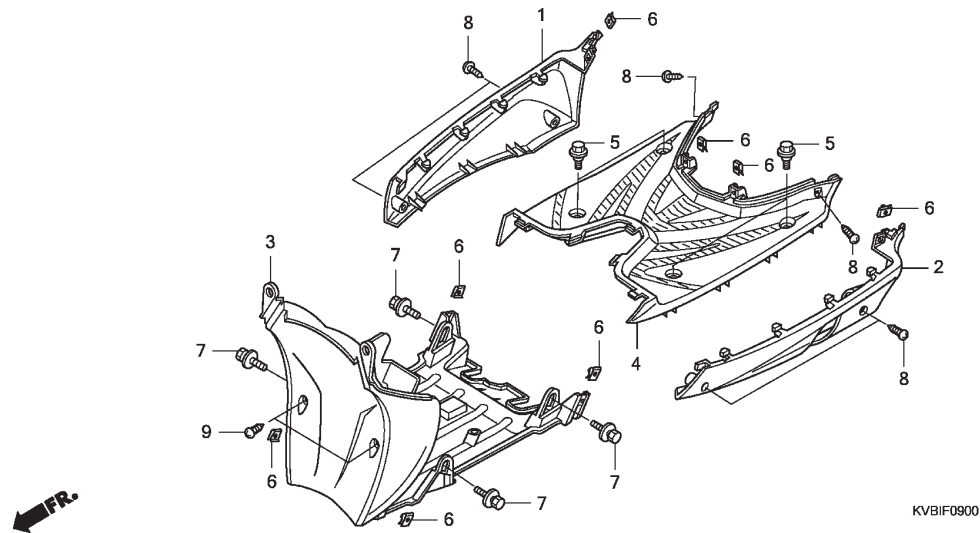
Front Cover



Service item	F.R.T.	No.	Part Number	Description	QTY ANC110	Notes
1 COWL, FRONT CENTER.....	0.1	1	64302-KVB-930	COVER, FR. TOP *NH1*..... BLACK	1	
4 PANEL, INNER.....	1.0	2	64510-KEV-900	CUSHION, FR. TOP COVER	2	
		3	81110-KVB-930	BRACKET, FR. NUMBER PLATE	1	
		4	81131-KVB-900	COVER, INNER *NH1*..... BLACK	1	
		5	81132-GAH-000	HOOK, LUGGAGE *NH1*..... BLACK	1	
		6	90005-KY7-000	SCREW, PAN, 6X6	2	
		7	90107-KVB-900	BOLT, SPECIAL, 6MM	1	
		8	90677-KAN-T00	NUT, CLIP, 5MM	2	
		9	91509-GE2-760	SCREW, PAN, 5X11.5	2	
		10	93903-34380	SCREW, TAPPING, 4X12	10	
		11	95701-06032-00	BOLT, FLANGE, 6X32	2	

F - 9

Floor Panel

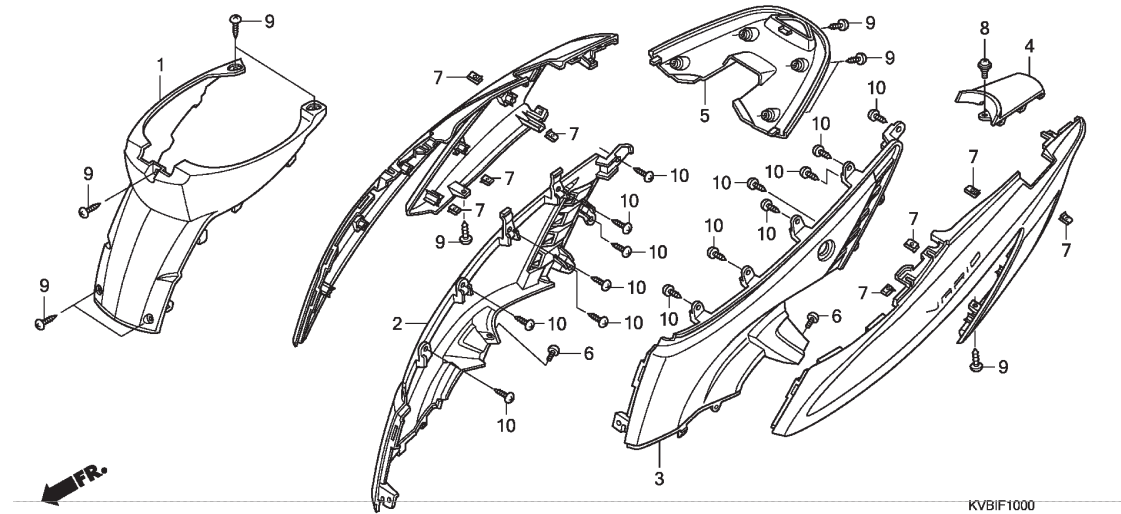


KVBIF0900

Service item	F.R.T.	No.	Part Number	Description	QTY ANC110	Notes
1 SKIRT, FLOOR :RIGHT.....	0.1	1	64305-KVB-900	COVER, R. FLOOR SIDE		
SKIRT, FLOOR :BOTH.....	0.1			*NH1* BLACK	1	
2 SKIRT, FLOOR :LEFT.....	0.1	2	64306-KVB-900	COVER, L. FLOOR SIDE		BLACK
SKIRT, FLOOR :BOTH.....	0.1	3	64308-KVB-900	COVER, FR. LOWER		
				NH1 BLACK	1	
3 COVER, UNDER.....	0.5	4	64310-KVB-930	STEP, FLOOR		
4 STEP, FLOOR.....	0.7			*NH1* BLACK	1	
		5	90107-KVB-900	BOLT, SPECIAL, 6MM		4
		6	90302-GW3-980	NUT, SPRING, 4MM		8
		7	93404-06016-00	BOLT-WASHER, 6x16		4
		8	93903-24480	SCREW, TAPPING, 4x16		6
		9	93903-34380	SCREW, TAPPING, 4x12		2

F - 10

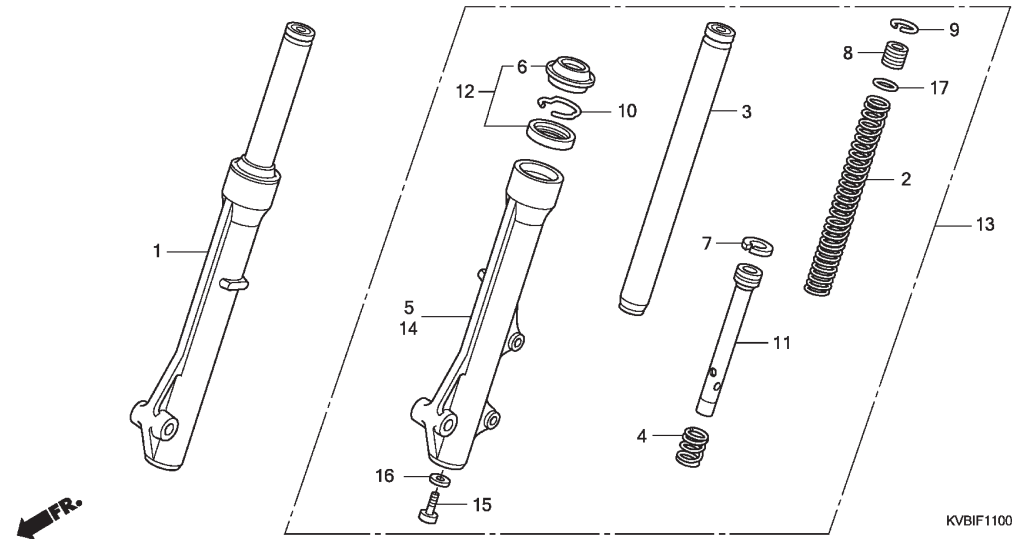
Body Cover



Service item	F.R.T.	No.	Part Number	Description	QTY ANC110	Notes
1 COVER, BODY :CENTER.....	0.2	1	80151-KVB-900	COVER, CENTER		
2 COVER, BODY SIDE :RIGHT.....	0.6	2	83520-KVB-900	COVER, R. BODY SIDE	1	
COVER, BODY SIDE :BOTH.....	0.8			*NH1*..... BLACK		
3 COVER, BODY SIDE :LEFT.....	0.7	3	83620-KVB-900	COVER, L. BODY SIDE BLACK	1	
COVER, BODY SIDE :BOTH.....	0.8			*NH1*..... BLACK		
4 COVER, BODY :REAR.....	0.1	4	83750-KVB-930	COVER, RR. CENTER BLACK	1	
5 COVER, REAR UNDER.....	0.1	5	83751-KVB-930	COVER, RR. CENTER LOWER BLACK	1	
		6	90114-KW7-900	SCREW, VISOR SETTING	2	
		7	90302-GW3-980	NUT, SPRING, 4MM	8	
		8	91509-KVB-900	SCREW, PAN, 5X11.5	1	
		9	93903-24480	SCREW, TAPPING, 4X16	11	
		10	93903-34380	SCREW, TAPPING, 4X12	14	

F - 11

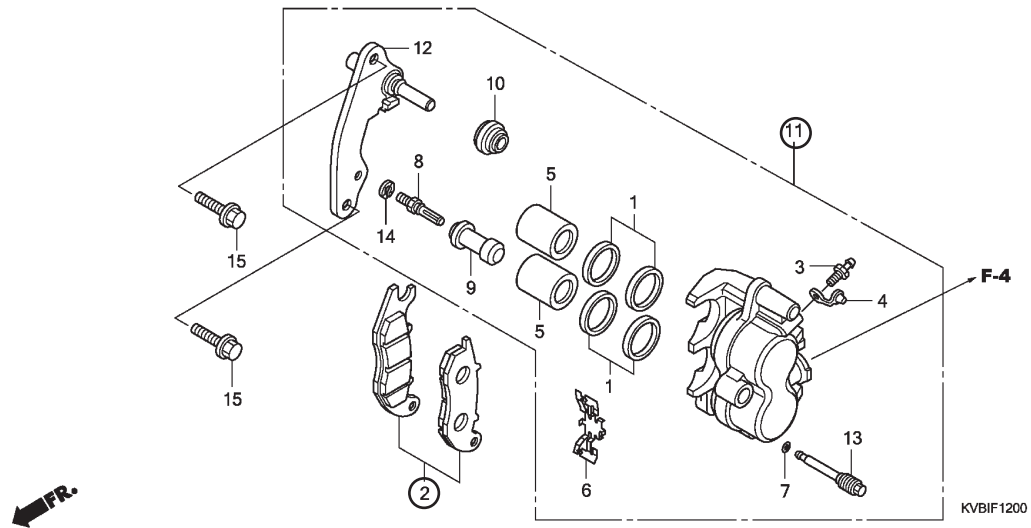
Front Fork



Service item	F.R.T.	No.	Part Number	Description	QTY ANC110	Notes
1 FORK ASSY., FRONT :RIGHT	0.4	1	51400-KVB-930	FORK ASSY., R. FR. (SILVER)	1	
FORK ASSY., FRONT :BOTH	0.5		51400-KVB-940	FORK ASSY., R. FR. (BLACK)	1	
2 SPRING, FRONT FORK :LEFT	0.6	2	51401-KVB-901	SPRING, FR. FORK	2	
SPRING, FRONT FORK :RIGHT	0.6	3	51410-KVB-901	PIPE COMP., FR. FORK	2	
SPRING, FRONT FORK :BOTH.....	0.9	4	51412-GN5-901	SPRING, REBOUND	2	
3 (4,7,11) PIPE, FRONT FORK :LEFT .	0.7	5	51420-KVB-930	CASE, R. FR. BOTTOM (SILVER)	1	
PIPE, FRONT FORK :RIGHT	0.7		51420-KVB-940	CASE, R. FR. BOTTOM (BLACK)	1	
PIPE, FRONT FORK :BOTH	1.2	6	51425-GN5-901	DUST SEAL	2	
5 CASE, BOTTOM :RIGHT	0.8	7	51437-KGH-901	RING, PISTON	2	
CASE, BOTTOM :BOTH.....	1.4	8	51454-KEV-881	SEAT B, SPRING	2	
12 SEAL SET, FRONT FORK :LEFT	0.7	9	51456-KPH-901	RING, STOPPER	2	
SEAL SET, FRONT FORK :RIGHT....	0.7	10	51466-065-901	RING, OIL SEAL STOPPER	2	
SEAL SET, FRONT FORK :BOTH.....	1.2	11	51470-KPH-901	PIPE, SEAT	2	
13 FORK ASSY., FRONT :LEFT	0.4	12	51490-KGH-901	SEAL SET, FR. FORK	2	
FORK ASSY., FRONT :BOTH	0.5	13	51500-KVB-930	FORK ASSY., L. FR. (SILVER)	1	
14 CASE, BOTTOM :LEFT	0.8		51500-KVB-940	FORK ASSY., L. FR. (BLACK)	1	
CASE, BOTTOM :BOTH.....	1.4	14	51520-KVB-930	CASE, L. FR. BOTTOM (SILVER)	1	
15 CASE, BOTTOM :LEFT	0.8		51520-KVB-940	CASE, L. FR. BOTTOM (BLACK)	1	
CASE, BOTTOM :BOTH.....	1.4	15	90116-KV3-701	BOLT, SOCKET, 8MM	2	
16 CASE, BOTTOM :LEFT	0.8	16	90544-283-000	WASHER, SPECIAL, 8MM	2	
CASE, BOTTOM :BOTH.....	1.4	17	91356-GM0-003	O-RING	2	

F - 12

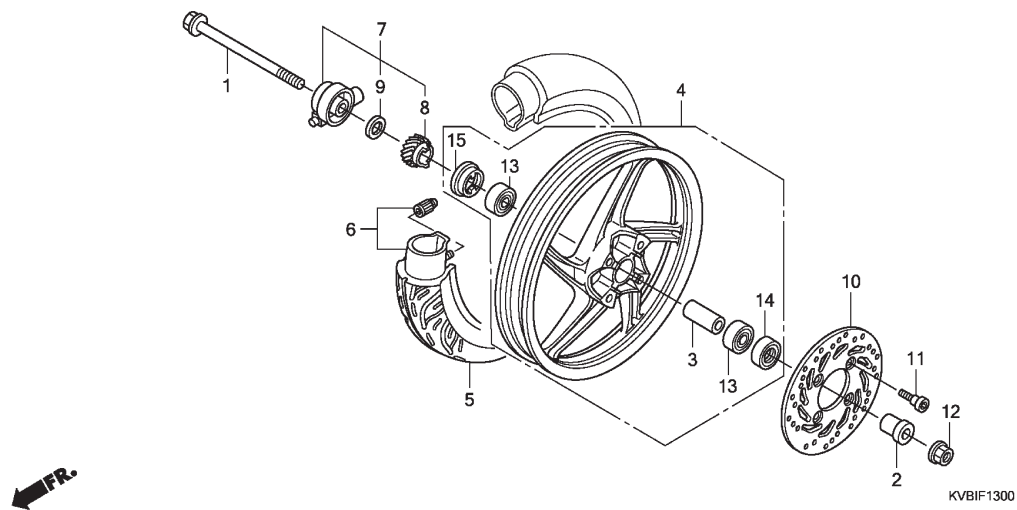
Front Brake Caliper



Service item	F.R.T.	No.	Part Number	Description	QTY ANC110	Notes
2 SHOE(PAD) SET, BRAKE :FRONT ..	0.1	1	06451-GE2-405	SEAL SET, PISTON	2	
5 (1) PISTON, FRONT		②	06455-KVB-401	PAD SET, FR. BRAKE	1	
BRAKE CALIPER	0.5	3	43352-568-003	SCREW, BLEEDER	1	
.INCLUDES: Bleed brakes		4	43353-461-771	CAP, BLEEDER	1	
.NOTE: Same time for two units		5	45107-GE2-006	PISTON	2	
11 CALIPER, FRONT BRAKE :LEFT	0.4	6	45108-KPH-951	SPRING, PAD	1	
.INCLUDES: Bleed brakes		7	45111-MAJ-G41	RING, STOPPER	1	
12 BRACKET, FRONT CALIPER.....	0.2	8	45131-GZ0-006	BOLT, PIN	1	
		9	45132-166-016	BOOT, PIN BUSH	1	
		10	45133-MA3-006	BOOT B	1	
		⑪	45100-KVB-911	CALIPER ASSY., L. FR	1	
		12	45190-KVB-911	BRACKET SUB ASSY., FR. CALIPER	1	
		13	45215-KPH-951	PIN, HANGER	1	
		14	45216-166-006	WASHER, WAVE	1	
		⑮	90131-KGH-900	BOLT, FLANGE, 8x25	2	

F - 13

Front Wheel (Cast)

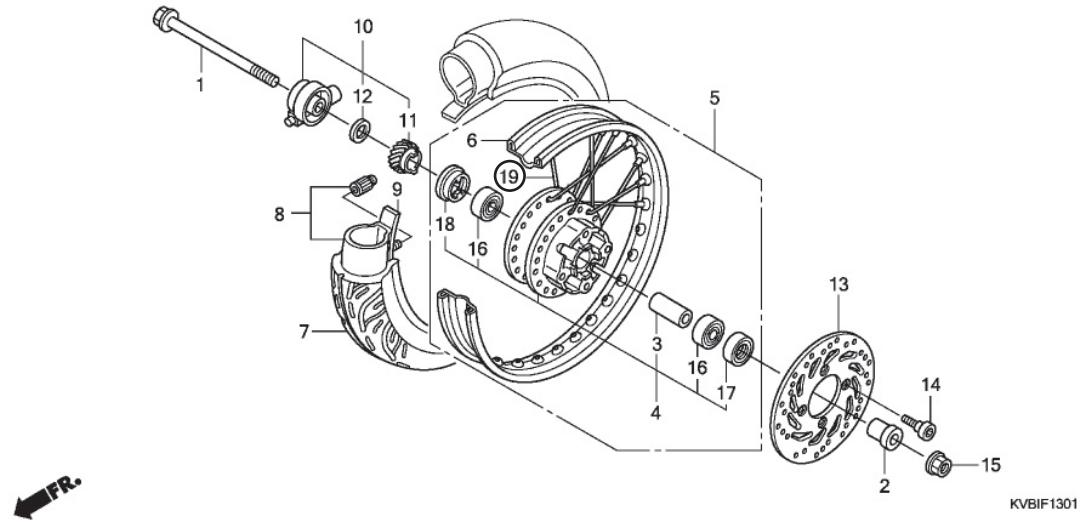


KVBIF1300

Service item	F.R.T.	No.	Part Number	Description	QTY ANC110	Notes
1 AXLE, FRONT WHEEL	0.2	1	44301-GN5-900	AXLE, FR. WHEEL	1	
4 FRONT WHEEL.....	0.8	2	44311-KVB-910	COLLAR, FR. WHEEL SIDE	1	
5 FRONT TIRE(ONE).....	0.7	3	44620-KVB-910	COLLAR, FR. DISTANCE	1	
6 TUBE, FRONT TIRE(ONE)	0.7	4	44601-KVG-911	WHEEL SUB ASSY., FR.		
7 GEARBOX ASSY., SPEEDOMETER.....	0.2	5	44711-KVB-850	*NH303M*MAT AXIS GRAY METALLIC TIRE, FR. (80/90-14M/C 34P)	1	
10 DISC, FRONT BRAKE	0.3	6	27514-300-140000	TUBE, TIRE	1	
13 (3) BEARING, FRONT WHEEL(ONE)	0.4	7	44800-KVB-910	BOX ASSY., SPEEDOMETER GEAR	1	
.Replace 1 bearing add	0.1	8	44806-KVB-911	GEAR, SPEEDOMETER (21T)	1	
		9	44809-KFM-900	WASHER, SPEEDOMETER GEAR	1	
		10	45351-KVB-911	DISK, FR. BRAKE	1	
		11	90105-KGH-900	BOLT, BRAKE DISK, 8x24	4	
		12	90306-KGH-901	NUT, U, 12MM	1	
		13	91052-KVB-900	BEARING, RADIAL BALL, 6201(U)	2	
		14	91251-KPH-901	DUST SEAL, 21x37x7	1	
		15	91258-KM1-004	SEAL, SPEEDOMETER GEAR BOX	1	

F - 13 - 1

Front Wheel (Spoke)

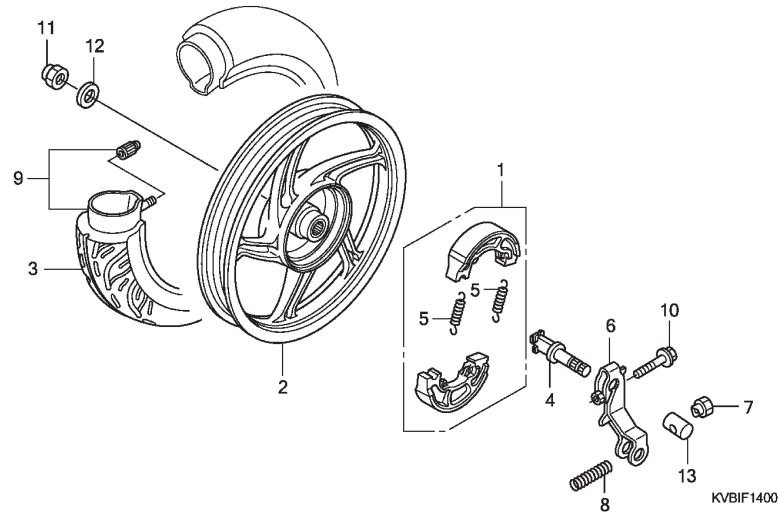


KVBIF1301

Service item	F.R.T.	No.	Part Number	Description	QTY ANC110	Notes
1 AXLE, FRONT WHEEL.....	0.2	1	44301-GN5-900	AXLE, FR. WHEEL	1	
4 HUB, FRONT WHEEL.....	2.3	2	44311-KVB-910	COLLAR, FR. WHEEL SIDE	1	
5 FRONT WHEEL.....	0.8	3	44620-KVB-910	COLLAR, FR. DISTANCE	1	
		4	44601-KVB-910	HUB SUB ASSY., FR.		
6 RIM, WHEEL :FRONT.....	2.2			*NH255M*.....SHIMMER SILVER METALLIC	1	
7 (9) FRONT TIRE(ONE).....	0.7					
8 (9) TUBE, FRONT TIRE(ONE).....	0.7	(5)	44650-KVB-930ZA	WHEEL SUB ASSY., FR.		
10 GEARBOX ASSY., SPEEDOMETER	0.2			*NH255M*.....SHIMMER SILVER METALLIC	1	
		6	44701-KVG-900	RIM, FR. WHEEL	1	
13 DISC, FRONT BRAKE.....	0.3	7	44711-KVB-850	TIRE, FR. (80/90-14M/C 40P)	1	
16 (3) BEARING, FRONT WHEEL(ONE).....	0.4	8	47514-300-140000	TUBE, TIRE	1	
.Replace 1 bearing add	0.1	(9)	44713-KVB-931	FLAP, TIRE	1	
		10	44800-KVB-910	BOX ASSY., SPEEDOMETER GEAR	1	
		(11)	44806-KVB-911	GEAR, SPEEDOMETER (21T)	1	
		(12)	44809-KFM-900	WASHER, SPEEDOMETER GEAR	1	
		13	45351-KVB-911	DISK, FR. BRAKE	1	
		14	90105-KGH-900	BOLT, BRAKE DISK, 8X24	4	
		15	90306-KGH-901	NUT, U, 12MM	1	
		16	91052-KVB-901	BEARING, RADIAL BALL, 6201(U)	2	
		17	91251-KPH-901	DUST SEAL, 21X37X7	1	
		18	91258-KM1-004	SEAL, SPEEDOMETER GEAR BOX	1	
		(19)	1110-130	SPOKE SET, FR	1	

F - 14

Rear Wheel (Cast)

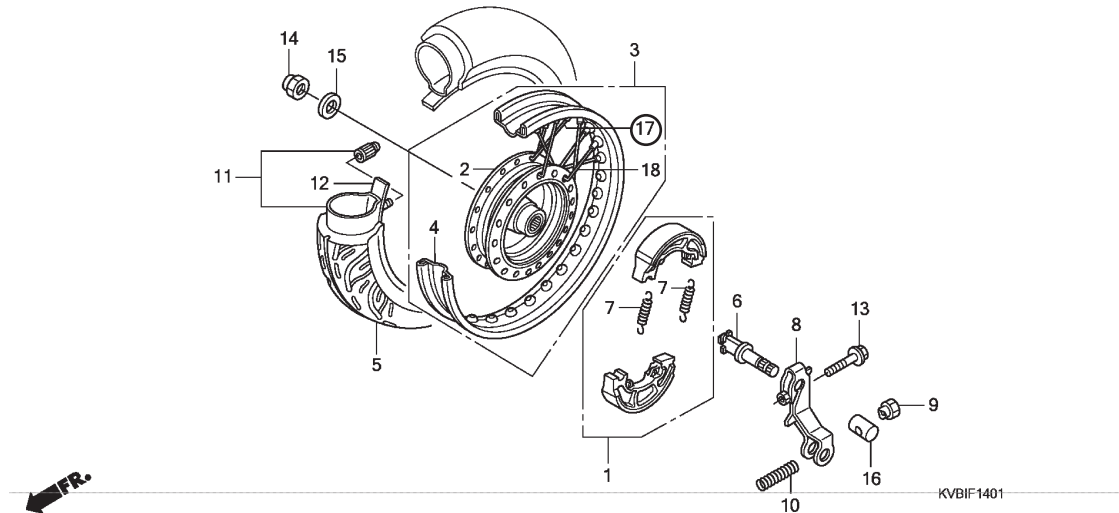


KVBIF1400

Service item	F.R.T.	No.	Part Number	Description	QTY ANC110	Notes
1 SHOE(PAD) SET, BRAKE :REAR	0.4	1	43125-KVB-900	SHOE SET, BRAKE	1	
2 REAR WHEEL	0.7	2	42601-KVG-911	WHEEL COMP., RR. *NH303M*	1	MAT AXIS GRAY METALLIC
3 REAR TIRE(ONE)	0.7	3	42711-KVB-851	TIRE, RR. (90/90-14M/C 46P)	1	
4 CAM, BRAKE :REAR	0.5	4	43141-KVB-900	CAM, RR. BRAKE	1	
6 ARM, BRAKE :REAR	0.5	5	43151-329-000	SPRING, BRAKE SHOE	2	
9 TUBE, REAR TIRE(ONE).....	0.7	6	43410-KVB-900	ARM, RR. BRAKE	1	
		7	90301-KEV-FM0	NUT, BRAKE ROD ADJUSTING	1	
		8	43472-KVB-900	SPRING, RR. BRAKE ARM	1	
		9	27514-300-14000	TUBE, TIRE	1	
		10	90112-KS4-840	BOLT, FLANGE, 6x32	1	
		11	90305-KVB-900	NUT, U, 16MM	1	
		12	90501-KBN-900	WASHER, 16MM	1	
		13	95015-32001	JOINT B, BRAKE ARM	1	

F - 14 - 1

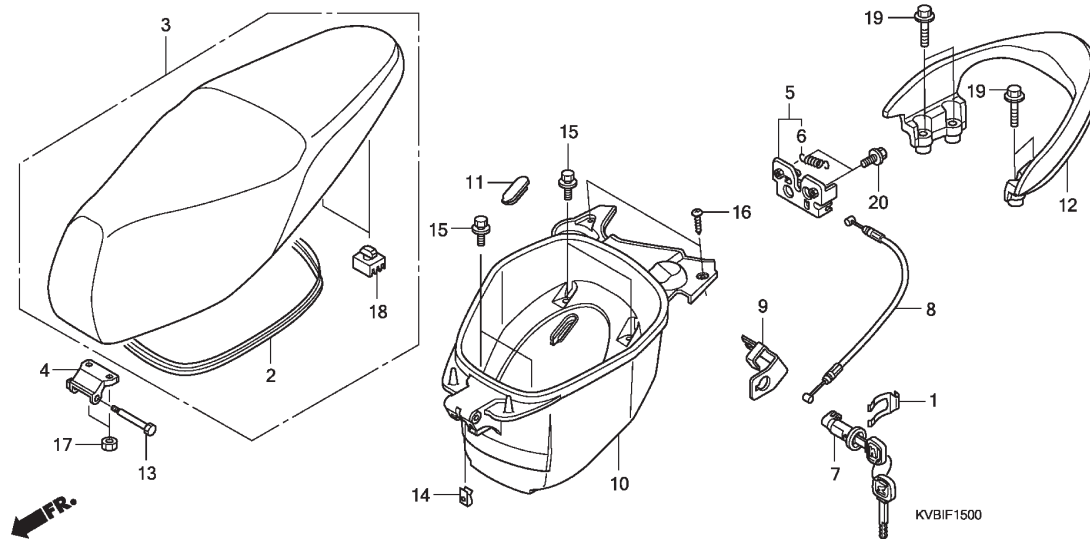
Rear Wheel (Spoke)



Service item	F.R.T.	No.	Part Number	Description	QTY ANC110	Notes
1 SHOE(PAD) SET, BRAKE :REAR....	0.4	1	43125-KVB-900	SHOE SET, BRAKE	1	
2 HUB, REAR WHEEL.....	2.3	2	42601-KVG-900	HUB COMP., RR. WHEEL		
3 REAR WHEEL.....	0.7	(3)	42650-KVG-900	WHEEL SUB ASSY., RR.	1	
4 RIM, WHEEL :REAR.....	2.2	4	42701-KVG-900	RIM, RR. WHEEL	1	
5 (12) REAR TIRE(ONE).....	0.7	5	42711-KVB-851	TIRE, RR (90/90-14C 46P)	1	
6 CAM, BRAKE :REAR.....	0.5	6	43141-KVB-900	CAM, RR. BRAKE	1	
8 ARM, BRAKE :REAR.....	0.5	7	43151-329-000	SPRING, BRAKE SHOE	2	
11 (12) TUBE, REAR TIRE(ONE).....	0.7	8	43410-KVB-900	ARM, RR. BRAKE	1	
		9	90301-KEV-FM0	NUT, BRAKE ROD ADJUSTING	1	
		10	43472-KVB-900	SPRING, RR. BRAKE ARM	1	
		11	27514-300-14000	TUBE, TIRE	1	
		(12)	44713-KVB-931	FLAP, TIRE	1	
		13	90112-KVB-900	BOLT, FLANGE, 6X32	1	
		14	90305-KVB-901	NUT, U, 16MM	1	
		15	90501-KBN-900	WASHER, 16MM	1	
		16	95015-32001	JOINT B, BRAKE ARM	1	
		(17)	1110-94	SPOKE SET, RR	1	

F - 15

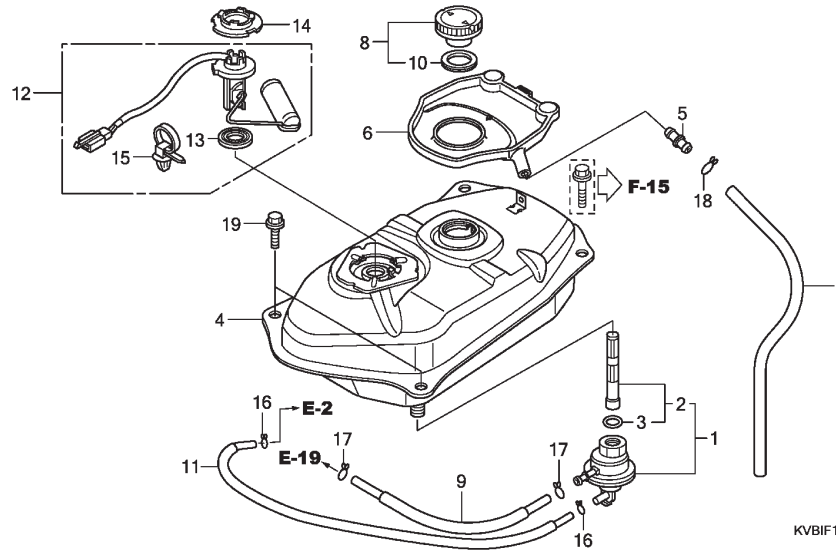
Seat / Luggage Box



Service item	F.R.T.	No.	Part Number	Description	QTY ANC110	Notes
3 SEAT :DOUBLE.....	0.1	1	75581-GN8-920	SPRING, LOCK KEY SETTING	1	
4 HINGE, SEAT	0.1	(2)	77115-KVB-900	RUBBER, SEAL	1	
5 CATCH, SEAT :REAR SIDE.....	0.6	3	77200-KVB-930	SEAT ASSY., DOUBLE	1	
		4	77201-KPH-900	HINGE, SEAT	1	
		5	77230-KVB-900	CATCH COMP, SEAT	1	
7 KEY, SEAT LOCK.....	0.6					
8 CABLE, SEAT LOCK.....	0.6					
10 BOX, LUGGAGE	0.2	6	77234-GN2-000	SPRING, SEAT LOCK	1	
		7	77239-KVB-900	KEY, SEAT LOCK	1	
			35010-KVB-930	KEY SET		
		8	77240-KVB-900	CABLE, SEAT LOCK	1	
		9	77242-KVB-900	STAY, SEAT LOCK CABLE	1	
		10	81250-KVB-900	BOX, LUGGAGE	1	
		11	81252-KVB-900	CAP, LUGGAGE BOX	1	
		12	84100-KVB-900ZA	RAIL, RR. GRAB		
				NH255MSHIMMER SILVER METALLIC / SILVER	1	
			84100-KVB-900ZB	*NH303M*MAT AXIS GRAY METALLIC / BLACK	1	
		13	90105-KPH-900	BOLT, SEAT HINGE	1	
		14	90302-GW3-980	NUT, SPRING, 4MM	1	
		15	93404-06012-00	BOLT-WASHER, 6X12	4	
		16	93903-24480	SCREW, TAPPING, 4X16	2	
		17	94001-06000-0S	NUT, HEX., 6MM	2	
		(18)	95011-61000	RUBBER A, STAND STOPPER	2	
		19	95701-08032-00	BOLT, FLANGE, 8X30	4	
		20	96001-06012-00	BOLT, FLANGE, 6X12	2	

F - 16

Fuel Tank

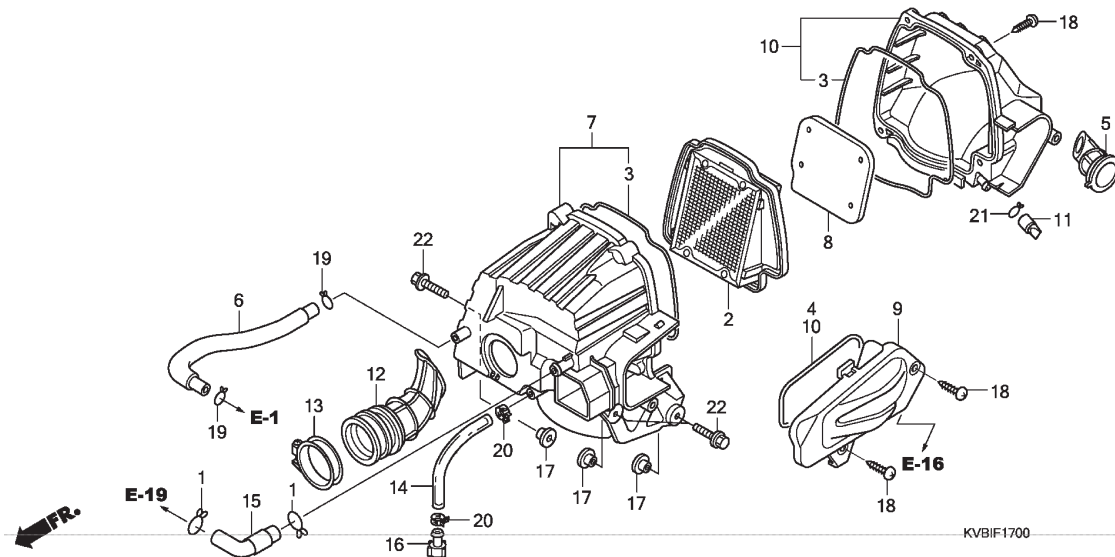


KVBIF1600

Service item	F.R.T.	No.	Part Number	Description	QTY ANC110	Notes
1 COCK, FUEL AUTO	0.7	1	16950-KJ9-751	COCK ASSY., FUEL AUTO	1	
2 (3) SCREEN, FUEL STRAINER.....	0.7	(2)	16952-KJ9-752	SCREEN, FUEL STRAINER	1	
		(3)	16958-397-771	O-RING	1	
4 TANK, FUEL.....	0.8	4	17510-KVB-930	TANK COMP, FUEL	1	
12 (13) FUEL TANK SENDING UNIT....	0.7	5	17525-KBN-900	JOINT, FUEL TUBE	1	
		6	17525-KVB-901	TRAY, FUEL	1	
		7	17526-KVB-900	TUBE, DRAIN	1	
		8	17620-KGH-600	CAP, FUEL FILLER	1	
		9	17630-KVB-900	TUBE, FUEL SET	1	
		10	17631-KEV-900	PACKING, FUEL FILLER CAP	1	
		11	17635-KVB-900	TUBE, PRESSURE SET	1	
		12	37800-KVB-931	FUEL UNIT SET	1	
		13	37801-GA7-700	PACKING, BASE	1	
		14	37802-GA7-700	RETAINER, FUEL UNIT	1	
		15	91540-KPH-902	CLIP, HARNESS BAND	1	
		(16)	95002-02070	CLIP, TUBE (B7)	2	
		(17)	95002-02080	CLIP, TUBE (B8)	2	
		(18)	95002-80000	CLIP, TUBE (C12)	1	
		19	95701-08016-00	BOLT, FLANGE, 8x16	2	

F - 17

Air Cleaner

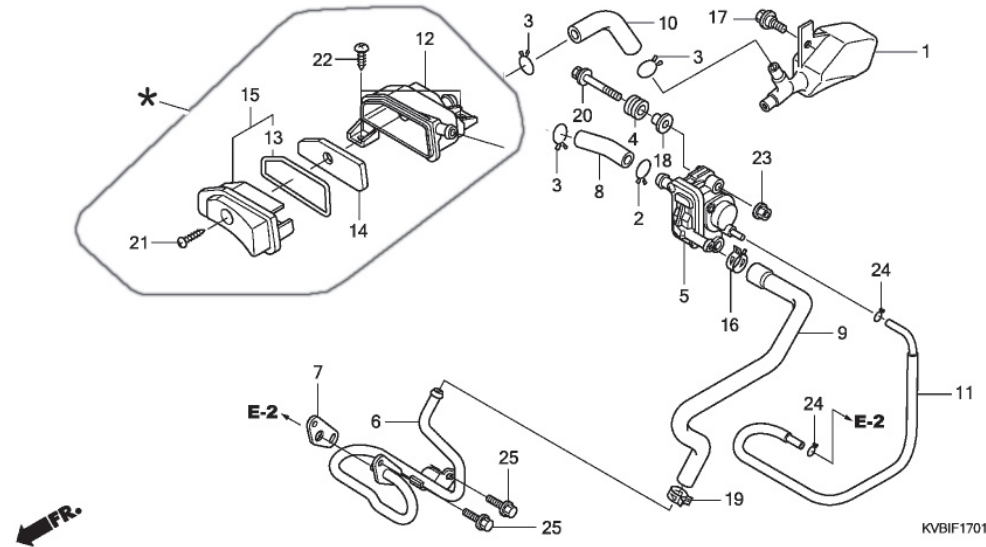


KVBIF1700

Service item	F.R.T.	No.	Part Number	Description	QTY ANC110	Notes
2 ELEMENT, AIR CLEANER	0.2	1	15771-551-000	CLIP, OIL DRAIN TUBE	2	
7 CASE, AIR CLEANER	0.6	2	17210-KVB-901	ELEMENT COMP., AIR CLEANER	1	
		3	17212-KVB-900	SEAL, A, AIR CLEANER	2	
10 (9) COVER, AIR CLEANER CASE	0.2	4	17213-KVB-900	SEAL, B, AIR CLEANER	1	
12 TUBE, AIR CLEANER CONNECTING.....	0.6	5	17215-KVB-900	DUCT, AIR CLEANER	1	
		6	17218-KVB-900	TUBE, BREATHER	1	
		7	17230-KVB-930	CASE SUB ASSY., AIR CLEANER	1	
		8	17228-KVB-900	ELEMENT, AIR CLEANER 2nd	1	
		9	17234-KVB-900	COVER, AIR CLEANER DUCT	1	
		10	17231-KVB-900	COVER SUB ASSY., AIR CLEANER	1	
		11	17236-KVB-900	PLUG, AIR CLEANER DRAIN	1	
		12	17253-KVB-900	TUBE, AIR CLEANER CONNECTING	1	
		13	17254-KVB-900	BAND, CONNECTING TUBE (50)	1	
		14	17261-KVB-900	TUBE, AIR CLEANER DRAIN	2	
		15	17274-KVB-900	TUBE, AIR OPENING	1	
		16	17370-419-700	PLUG, BREATHER TUBE	1	
		17	17626-KVB-900	COLLAR, FUEL TANK SETTING	3	
		18	93903-25510	SCREW, TAPPING 5x25	4	
		19	95002-02130	CLIP, TUBE (B12.5)	2	
		20	95002-41200-08	CLAMP, TUBE (D12)	1	
		21	95002-80000	CLIP, TUBE (C12)	1	
		22	95701-06025-00	BOLT, FLANGE, 6x25	2	

F - 17 - 1

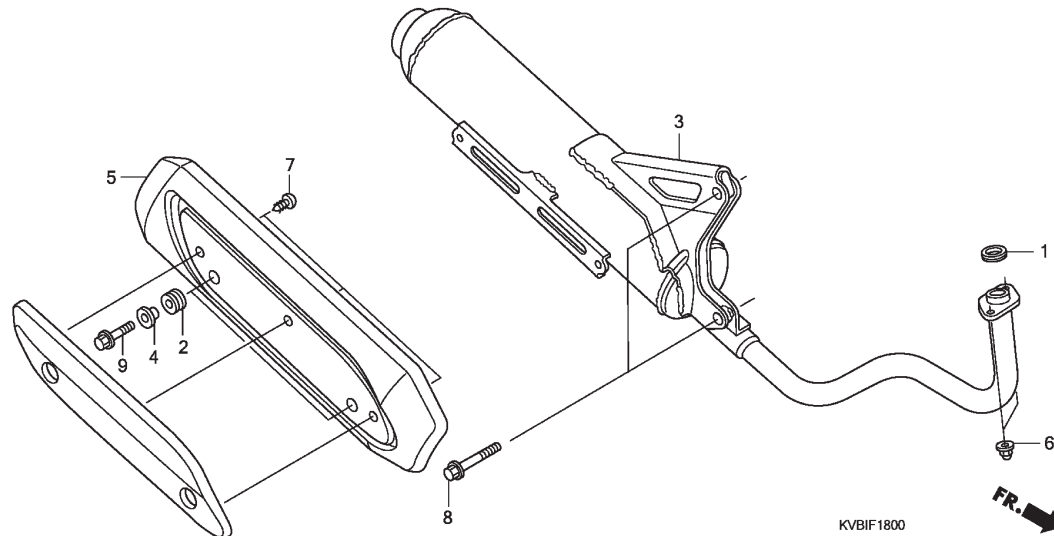
Air Suction Valve



Service item	F.R.T.	No.	Part Number	Description	QTY ANC110	Notes
1 RESONATOR	0.5	1	17311-KVB-900	RESANATOR	1	
5 VALVE, SECONDARY AIR CONTROL	0.4	(2)	17369-KB4-670	CLIP, BREATHER TUBE	1	
		(3)	17554-MB0-000	CLIP, BREATHER TUBE	3	
		4	17622-GB7-900	RUBBER, CUSHION	2	
6 (7) PIPE, SECONDARY AIR.....	0.2	5	18600-KVB-901	VALVE ASSY., AIR SUCTION	1	
14 (15) ELEMENT, SUB AIR CLEANER	0.2	6	18640-KVB-900	PIPE COMP., AIR FEED	1	
		7	18645-KVB-900	GASKET, AIR FEED PIPE	1	
		8	1865A-KVB-930	TUBE A, AIR INJECTION CONTROL VALVE SET	1	
		9	18652-KVB-900	HOSE, AIR INJECTION CONTROL VALVE	1	
		10	1865B-KVB-930	TUBE C, AIR INJECTION CONTROL VALVE SET	1	
		11	1865D-KVB-930	TUBE, AIR SUCTION VALVE (PB) SET	1	
		12	18801-KVB-900	CASE, AIR CLEANER (ASV)	1	
		13	18804-KVB-900	SEAL, AIR CLEANER (ASV)	1	
		14	18805-KVB-900	ELEMENT, AIR CLEANER (ASV)	1	
		15	18802-KVB-900	COVER., AIR CLEANER (ASV)	1	
		16	19509-KPH-900	CLAMP, TUBE (D19)	1	
		17	90116-ME9-000	BOLT, FLANGE, 6MM	1	
		18	90501-124-000	WASHER, FR. COVER SETTING	2	
		19	90678-MN5-000	CLIP, FUEL HOSE	1	
		20	93404-06030-00	BOLT-WASHER, 6x30	2	
		21	93903-25480	SCREW, TAPPING, 5X20	1	
		22	93903-45320	SCREW, TAPPING, 5X16	2	
		23	94050-06000	NUT, FLANGE, 6MM	2	
		(24)	95002-02070	CLIP, TUBE (B7)	2	
		25	95701-06018-00	BOLT, FLANGE, 6X18	3	
		*	18800-KVB-900	ASV AIR. CLEANER ASSY	1	

F - 18

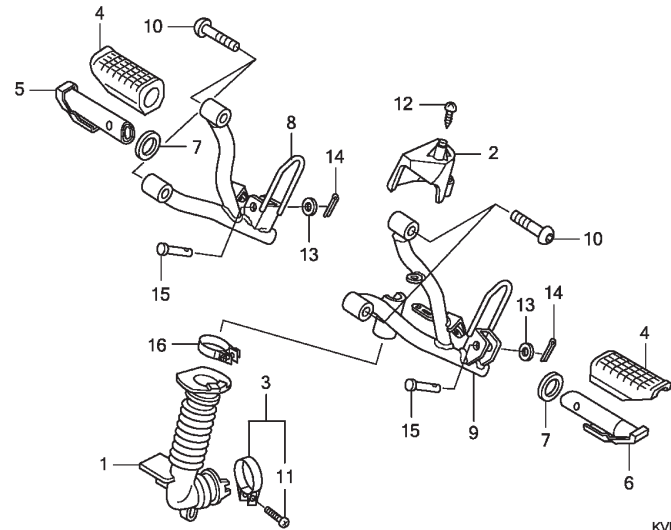
Exhaust Muffler



Service item	F.R.T.	No.	Part Number	Description	QTY ANC110	Notes
1 GASKET, EXHAUST PIPE.....	0.2	1	18291-KVB-900	GASKET, EX. PIPE	1	
3 MUFFLER.....	0.2	2	18293-KSB-900	RUBBER, PROTECTOR MOUNTING	2	
5 PROTECTOR, MUFFLER.....	0.1	3	18300-KVB-930	MUFFLER COMP., EX.	1	
		4	18316-KVB-900	COLLAR, WINKER STAY	2	
		5	18318-KVB-900	PROTECTOR A, MUFFLER	1	
			18319-KVB-900	PROTECTOR B, MUFFLER	1	
		6	90202-ZV0-000	NUT, HEX. CAP, 8MM	2	
		7	93903-25220	SCREW, PAN, 5X12	3	
		8	95701-10040-07	BOLT- FLANGE, 10X40	2	
		9	95801-06016-12	BOLT, FLANGE, 6X16	2	
		*	18301-KVB-930	MUFFLER ASSY, EXHAUST	1	

F - 19

Step

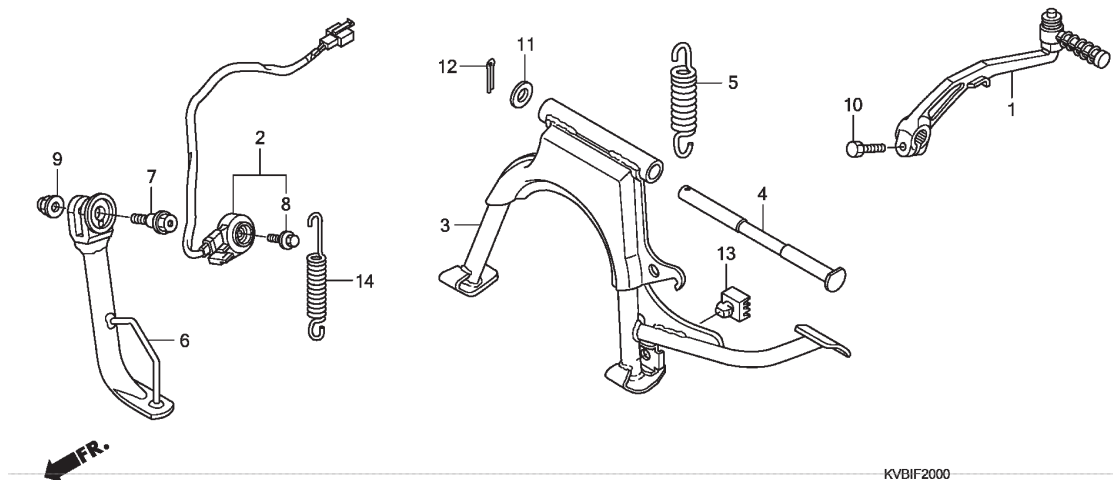


KVBIF1900

Service item	F.R.T.	No.	Part Number	Description	QTY ANC110	Notes
1 DUCT, BELT COVER	0.6	1	11345-KVB-900	DUCT, L. COVER	1	
		2	11346-KVB-900	GUARD, L. DUCT	1	
5 BAR, PILLION STEP :RIGHT.....	0.1	3	16223-GBF-830	BAND, INSULATOR	1	
BAR, PILLION STEP :BOTH.....	0.2	4	50710-KET-600	RUBBER, PILLION STEP	2	
		5	50711-KET-600	BAR, R. PILLION STEP	1	
6 BAR, PILLION STEP :LEFT	0.1	6	50712-KET-600	VAR, L. PILLION STEP	1	
BAR, PILLION STEP :BOTH.....	0.2	7	50715-KE8-000	PLATE, PILLION STOP SIDE	2	
8 BRACKET, PILLION STEP :RIGHT....	0.6	8	50715-KVB-900	BRACKET COMP., R. PILLION STEP	1	
BRACKET, PILLION STEP :BOTH.....	0.7	9	50716-KVB-900	BRACKET COMP., L. PILLION STEP	1	
		10	90152-KVB-900	BOLT, SOCKET, 10x40	4	
9 BRACKET, PILLION STEP :LEFT	0.6	11	93500-04025-0G	SCREW, PAN, 4x25	1	
BRACKET, PILLION STEP :BOTH.....	0.7	12	93903-34220	SCREW, TAPPING, 4x10	2	
		13	94101-06000	WASHER, PLAIN, 6MM	2	
		14	94201-16150	PIN SPLIT, 1.6 x15	2	
		15	95015-81000	PIN A, PILLION STEP	2	
		16	95018-34200	BAND, AIR CLEANER CONNECTING TUBE (34)	1	

F - 20

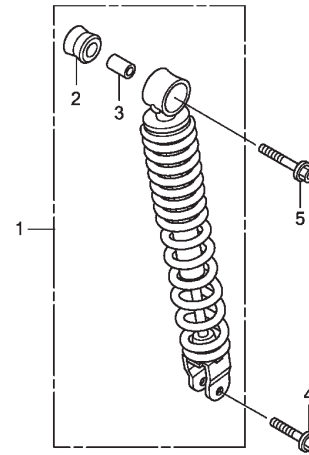
Stand / Kick Arm



Service item	F.R.T.	No.	Part Number	Description	QTY ANC110	Notes	
1	ARM, KICK STARTER.....	0.1	28300-KVB-900	ARM ASSY., KICK STARTER	1		
2	SWITCH, SIDE STAND.....	0.7	35700-KVB-900	SWITCH SET, SIDE STAND	1		
3	STAND, MAIN.....	0.4	50500-KVB-930	STAND COMP., MAIN	1		
5	SPRING, MAIN STAND.....	0.2	50503-KVB-900	SHAFT, MAIN STAND	1		
6	BAR, SIDE STAND.....	0.2	50520-KVB-900	SPRING, MAIN STAND	1		
14	SPRING, SIDE STAND.....	0.1	50530-KVB-900	BAR COMP., SIDE STAND	1		
			7	90108-MK6-670	BOLT, SIDE STAND PIVOT	1	
			8	90147-KVB-900	BOLT, SPECIAL, 6X16	1	
			9	90203-KVB-900	NUT, SIDE STAND	1	
			10	92101-08025-0A	BOLT, HEX., 8X25	1	
			11	94101-10800	WASHER, PLAIN, 10.5X22X1.6	1	
			12	94201-30200	PIN, SPLIT, 3.0x20	1	
			13	95011-61000	RUBBER A, STAND STOPPER	1	
			14	95014-72102	SPRING A, SIDE STAND	1	

F - 21

Rear Cushion

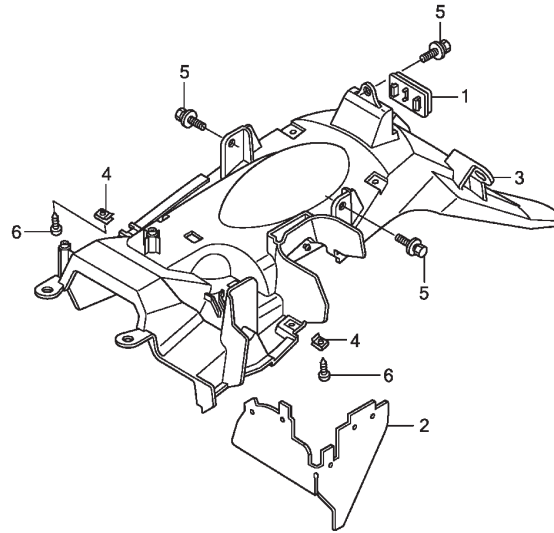


KVBIF2100

Service item	F.R.T.	No.	Part Number	Description	QTY ANC110	Notes
1 CUSHION ASSY., REAR.....	0.6	1	52400-KVB-930	CUSHION ASSY., RR SILVER	1	
			52400-KVB-940	CUSHION ASSY., RR BLACK	1	
		2	52485-088-901	BUSH, RR. CUSHION RUBBER	1	
		3	52486-GA7-003	COLLAR, RUBBER BUSH	1	
		4	95801-08032-00	BOLT, FLANE, 8x32	1	
		5	95801-10035-00	BOLT, FLANGE, 10x35	1	

F - 22

Rear Fender

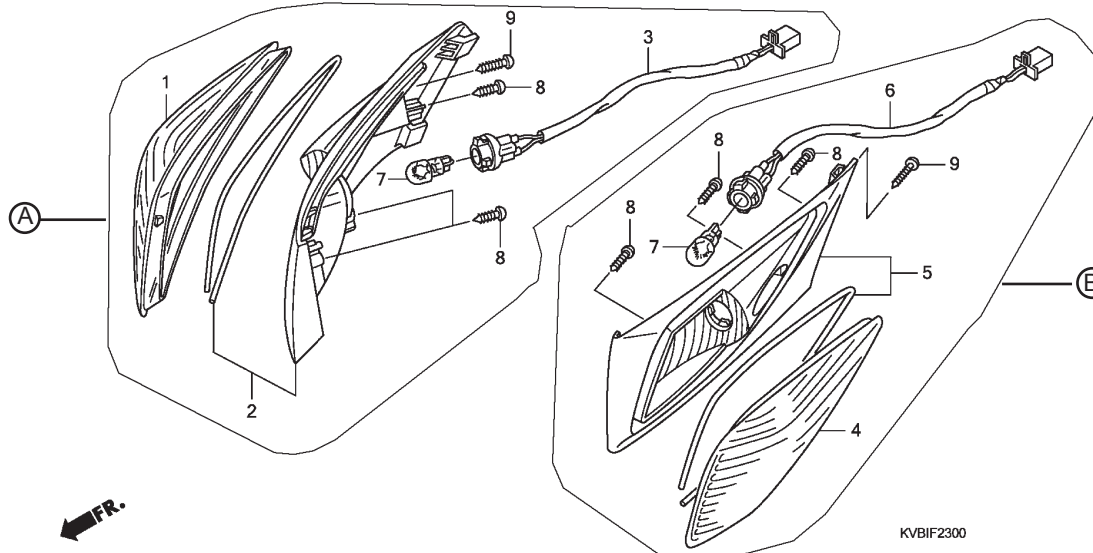


KVBIF2200

Service item	F.R.T.	No.	Part Number	Description	QTY ANC110	Notes
3 FENDER, REAR.....	0.7	1	33741-KAN-961	REFLECTOR, RR. REFLEX	1	
		2	80104-KVB-900	GUARD, SPLASH	1	
		3	80110-KVB-930	FENDER SET, RR. (WL)	1	
		4	90302-GW3-980	NUT, SPRING, 4MM	2	
		5	93404-06012-00	BOLT-WASHER, 6X12	3	
		6	93903-24480	SCREW, TAPPING, 4X16	2	

F - 23

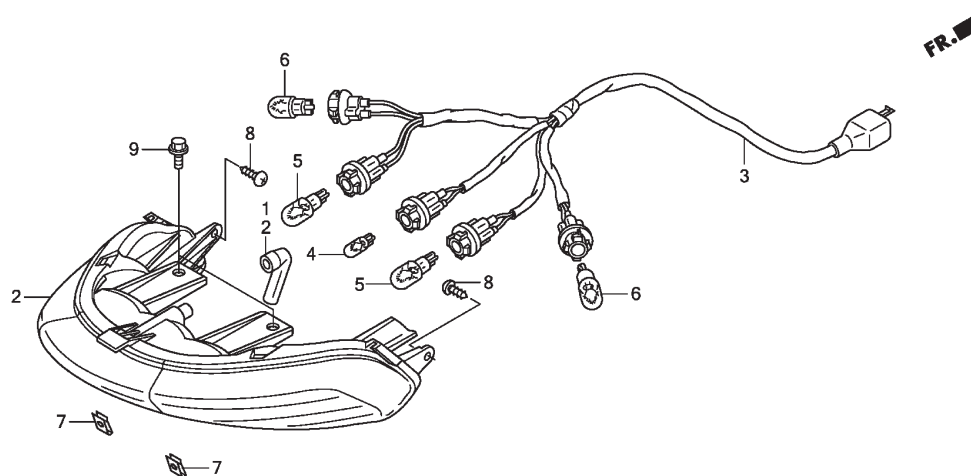
Front Winker



Service item	F.R.T.	No.	Part Number	Description	QTY ANC110	Notes
2 (1) BASE, WINKER :		1	33402-KVB-931	LENS, R. FR. WINKER	1	
RIGHT FRONT	0.4	(2)	33403-KVB-931	BASE ASSY., R. FR. WINKER	1	
BASE, WINKER :BOTH FRONT	0.5	(3)	33410-KVB-931	SOCKET COMP., R. FR. WINKER	1	
3 SOCKET, WINKER :RIGHT FRONT .	0.3	4	33452-KVB-931	LENS, L. FR. WINKER	1	
SOCKET, WINKER :BOTH FRONT...	0.3	(5)	33453-KVB-931	BASE ASSY., L. FR. WINKER	1	
		(6)	33460-KVB-931	SOCKET COMP., L. FR. WINKER	1	
5 (4) BASE, WINKER :LEFT FRONT ..	0.4	7	34905-KAN-W01	BULB, WINKER (12V 10W)	2	
BASE, WINKER :BOTH FRONT	0.5	8	93903-34320	SCREW, TAPPING, 4X12	6	
		9	93911-24320	SCREW, TAPPING, 4X14 (PO)	2	
6 SOCKET, WINKER :LEFT FRONT....	0.3	(A)	33400-KVB-930	WINKER. ASSY, R FR	1	
SOCKET, WINKER :BOTH FRONT...	0.3	(B)	33450-KVB-930	WINKER. ASSY, L FR	1	
7 BULB, WINKER :FRONT.....	0.3					
.NOTE: Same time for two units						
BULB, WINKER :FOR 1 VEHICLE....	0.4					

F - 24

Combination Light

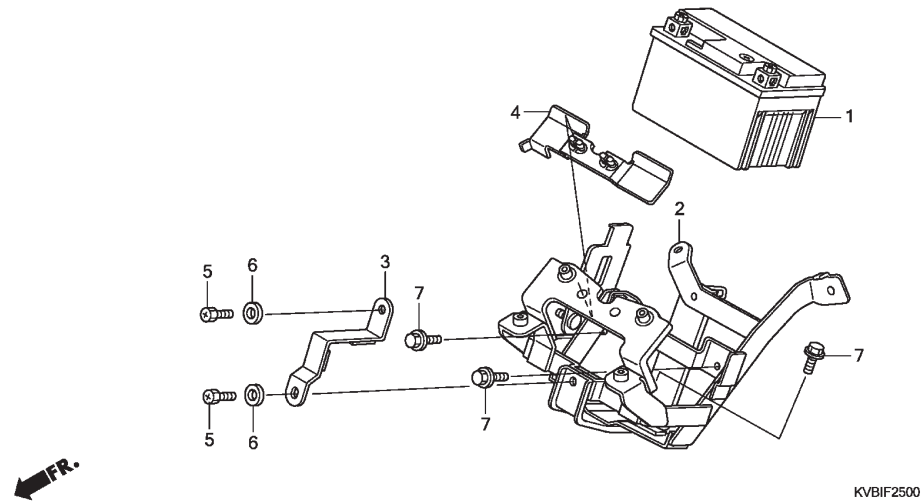


KVBIF2400

Service item	F.R.T.	No.	Part Number	Description	QTY ANC110	Notes
2 TAILLIGHT UNIT	0.7	1	33113-MAT-611	PIPE, CP	1	
3 SOCKET, TAILLIGHT	0.5	(2)	33710-KVB-931	BASE COMP., RR. COMBINATION	1	
4 BULB, LICENSE LIGHT	0.1	(3)	33720-KVB-931	SOCKET COMP	1	
		4	34351-657-921	BULB (12V/5W)	1	
5 BULB, TAILLIGHT	0.1	5	34905-GM9-003	BULB, WINKER (12V 10W)	4	
.NOTE: Same time for two units						
		6	34905-KAN-W01	BULB, WINKER (12V 10W)	2	
6 BULB, WINKER :REAR.....	0.1	7	90302-GW3-980	NUT, SPRING, 4MM	2	
.NOTE: Same time for two units		8	93903-35320	SCREW, TAPPING, 5X16	2	
BULB, WINKER :FOR 1 VEHICLE.....	0.4	9	95701-06012-00	BOLT, FLANGE, 6X12	2	
		*	33700-KVB-931	LIGHT ASSY, REAR COMB	1	

F - 25

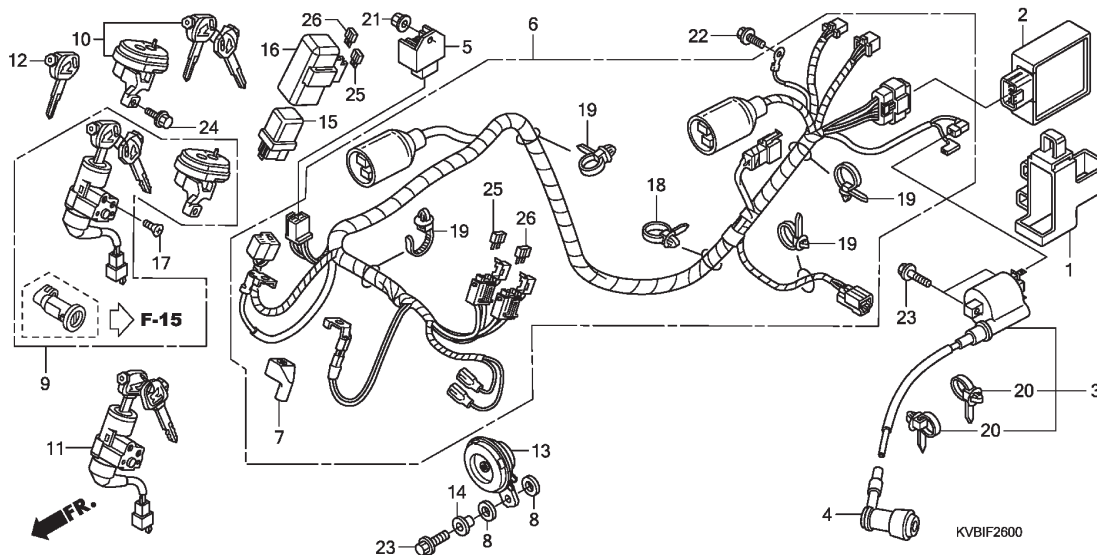
Battery



Service item	F.R.T.	No.	Part Number	Description	QTY ANC110	Notes
1 BATTERY	0.2	1	31500-KPH-881	BATTERY ASSY. (GTZ5S)	1	
2 BOX, BATTERY	0.4	2	50381-KVB-930	BOX COMP., BATTERY	1	
		3	50382-KVB-900	BAND, BATTERY	1	
		4	64227-KVB-930	PLATE, GUARD	1	
		5	92301-06012-0A	BOLT, RECESSED, 6x12	2	
		6	94101-06000	WASHER, PLAIN, 6MM	2	
		7	95701-06010-00	BOLT, FLANGE, 6x10	3	

F - 26

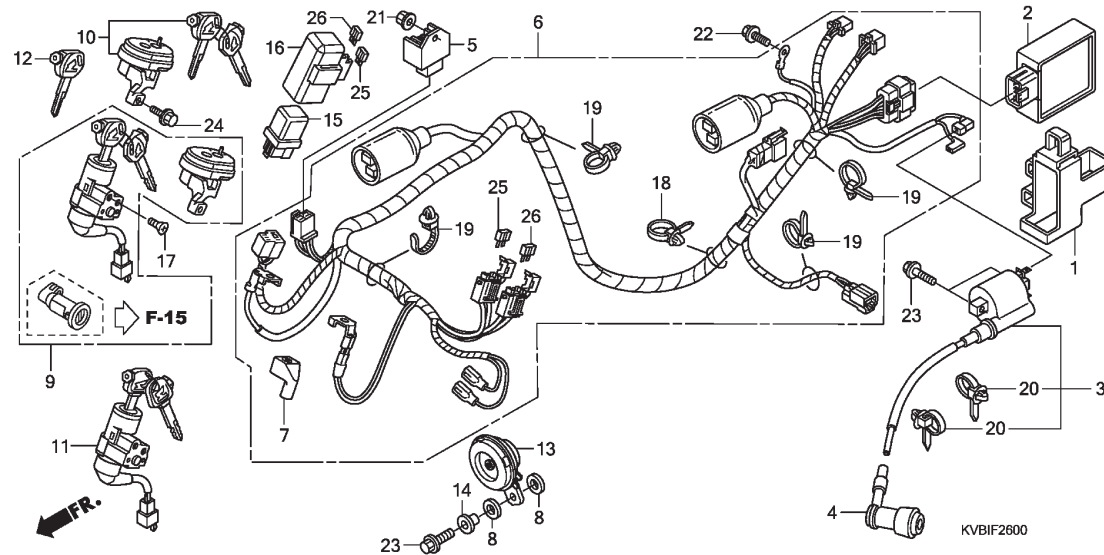
Wire Harness



Service item	F.R.T.	No.	Part Number	Description	QTY ANC110	Notes
2 IGNITION CONTROL MODULE.....	0.7	1	30401-KVB-900	CUSHION, C.D.I UNIT	1	
3 COIL, IGNITION.....	0.7	2	30410-KVB-931	C.D.I UNIT	1	
5 RECTIFIER, REGULATE.....	0.3	3	30500-KVB-901	COIL ASSY., IGNITION	1	
		4	30700-KVB-931	CAP ASSY., NOISE SUPPRESSOR	1	
		5	31600-KVB-901	RECTIFIER COMP., REGULATOR	1	
6 HARNESS, WIRE.....	1.4	6	32100-KVB-930	HARNESS, WIRE	1	
9 KEY SET.....	1.8	(7)	32412-MV4-000	COVER, BATTERY TERMINAL	1	
10 KEY, SHUTTER.....	1.1	8	35010-KVB-930	KEY SET	1	
		(9)	35011-KVB-930	SHUTTER SET, KEY (9KEY TOP REORDER)	1	
11 SWITCH, COMBINATION & LOCK....	1.7	(10)	35100-KVB-900	SWITCH ASSY., COMBINATION & LOCK	1	
13 HORN(S).....	0.1					
15 RELAY, STARTER.....	0.2	(11)	35121-KVB-900	KEY, BLANK (9KEY TOP REORDER)	(1)	
		12	38110-KPH-851	HORN COMP	1	
		13	38117-KPH-880	COLLAR, HORN SETTING	1	
		14	38501-KVB-901	RELAY COMP., STARTER	1	
		15	38506-KVB-931	SUSPENSION, STARTER RELAY	1	
		16	90164-028-000	SCREW, U-LOCK FLAT, 6x12	2	
		(18)	91540-KPH-901	CLIP, HARNESS BAND	1	
		(19)	91540-KPH-902	CLIP, HARNESS BAND	4	
		(10)	91540-S30-003	CLIP, HARNESS BAND (NATURAL)	2	

F - 26

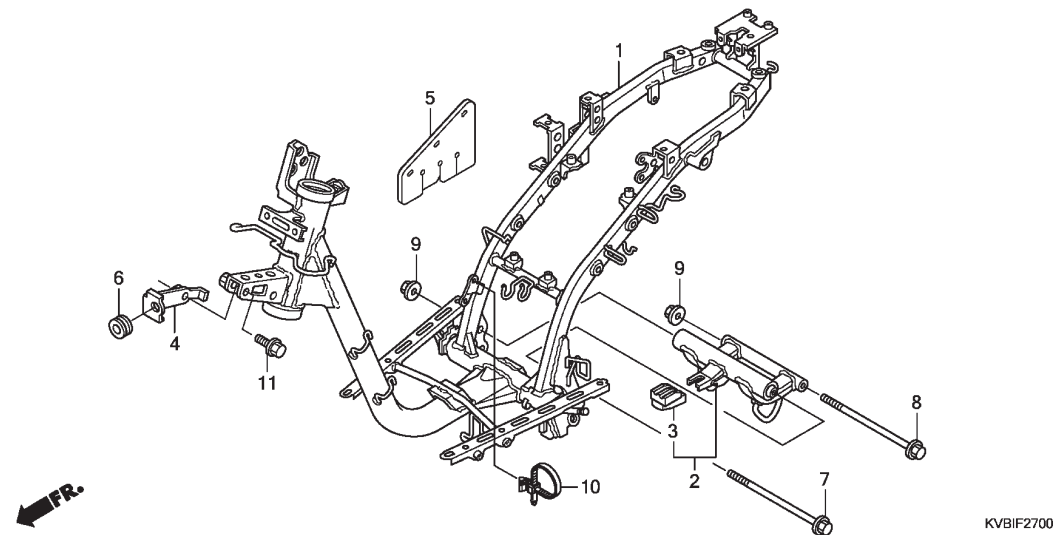
Wire Harness



Service item	F.R.T.	No.	Part Number	Description	QTY ANC110	Notes
		21	94050-06000	NUT, FLANGE, 6MM	1	
		22	95701-06012-00	BOLT, FLANGE, 6X12	1	
		23	95701-06020-00	BOLT, FLANGE, 6X20	2	
		(24)	96001-06012-00	BOLT, FLANGE, 6X12	1	
		25	98200-41000	FUSE, MINI (10A)	2	
		26	98200-41500	FUSE, MINI (15A)	2	

F - 27

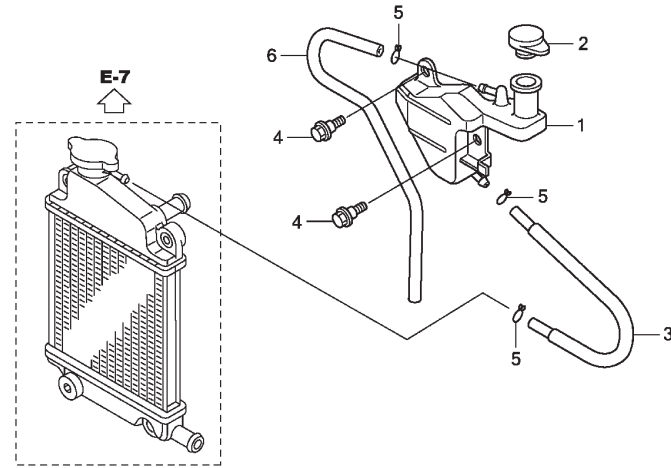
Frame Body



Service item	F.R.T.	No.	Part Number	Description	QTY ANC110	Notes
1 BODY, FRAME.....	5.3	1	50100-KVB-900	BODY COMP., FRAME	1	
				.INCLUDES: Engine removal and installation		
2 LINK, ENGINE HANGER.....	1.2	2	50350-KVB-900	LINK ASSY., ENGINE HANGER	1	
		3	50352-KVB-900	RUBBER, LINK STOPPER	1	
		4	64223-KVB-900	STAY, FR. COVER	1	
		5	80103-KVB-900	GUARD, R. SPLASH	1	
		6	83551-MB9-000	GROMMET	1	
		7	90105-KVB-900	BOLT, FLANGE, 10x250	1	
		8	90106-GCC-000	BOLT, FLANGE, 10x238	1	
		9	90304-KGH-901	NUT, U, 10MM	2	
		10	90672-SA0-003	STRAP, CABLE, 118MM (BLACK)	1	
		11	95801-08012-00	BOLT, FLANGE, 8x12	1	

F - 28

Reserve Tank



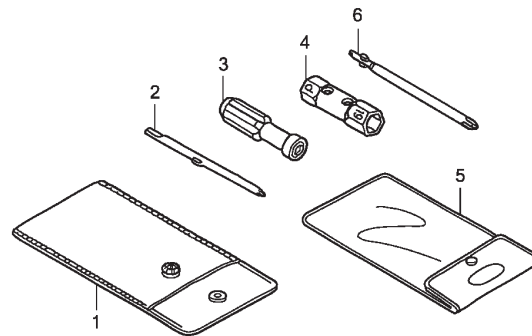
KVBIF2800



Service item	F.R.T.	No.	Part Number	Description	QTY ANC110	Notes
1 TANK, RADIATOR RESERVE.....	0.6	1	19101-KVB-900	TANK, RESERVE	1	
		2	19104-KVB-900	CAP, RESERVE TANK	1	
3 TUBE, RADIATOR RESERVE TANK..	0.3	3	1910B-KVB-930	HOSE, RESERVE TANK	1	
		4	90116-KVB-900	BOLT, FLANGE, 6MM	2	
		(5)	95002-02100	CLIP, TUBE (B10)	3	
		(6)	95005-55470-20	TUBE, 5.3X470	1	

F - 29

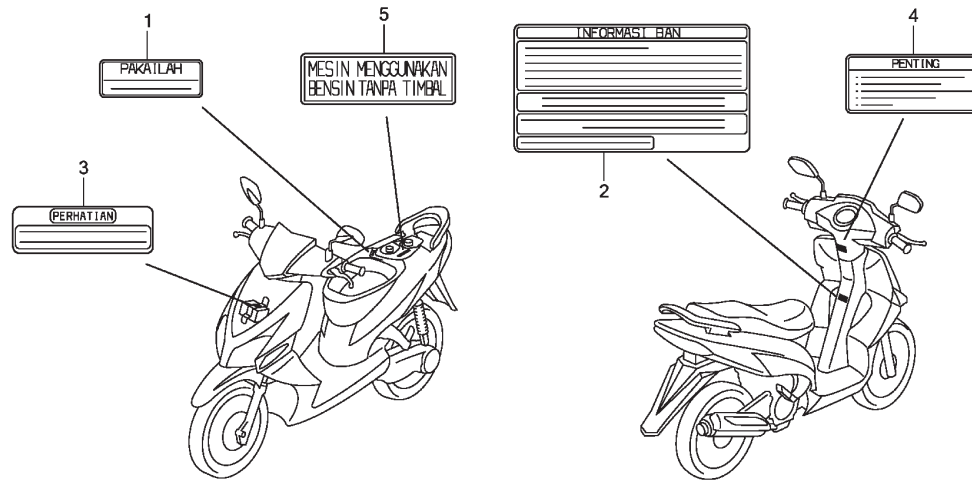
Tools



KVBIF2900

Service item	F.R.T.	No.	Part Number	Description	QTY ANC110	Notes
NOT INFORMATION	-	1	83642-171-000	BAG, OWNERS MANUAL	1	
		2	89102-538-000	SHAFT, SCREW DRIVER	1	
		3	89103-538-000	GRIP	1	
		4	89216-GBG-770	WRENCH, SPARK PLUG	1	
		5	89219-KGH-900	BAG, TOO, 160MM	1	
		6	99003-20000	DRIVER 2, PLUS SCREW (NO.3)	1	

F - 30
Caution Label

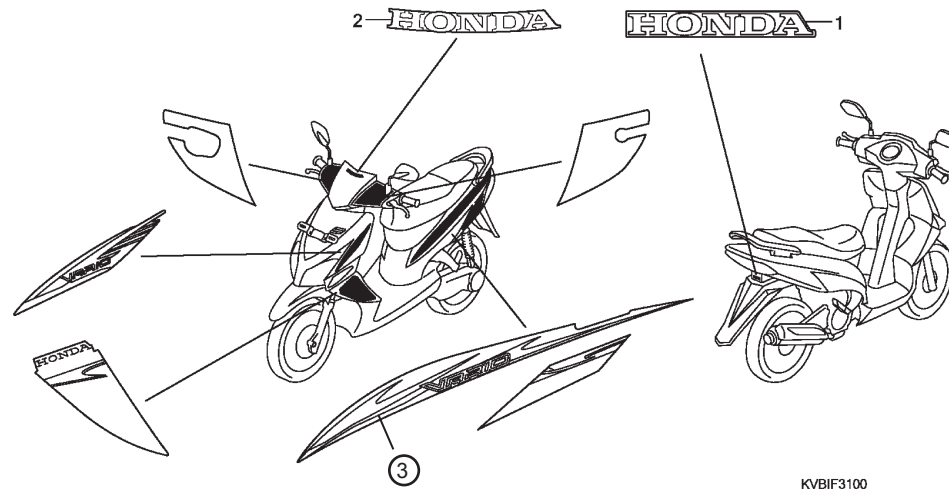


KVBIF3000

Service item	F.R.T.	No.	Part Number	Description	QTY ANC110	Notes
NOT INFORMATION	-	1	87503-KVB-900	LABEL, COOLANT INFORMATION	1	
		2	87505-KVB-900	LABEL, TIRE	1	
		3	87506-KGH-900	MARK, BATTERY CAUTION	1	
		4	87560-KVB-900	LABEL, DRIVE CAUTION	1	
		5	87586-KVB-930	LABEL, FUEL	1	

F - 31

Mark / Stripe

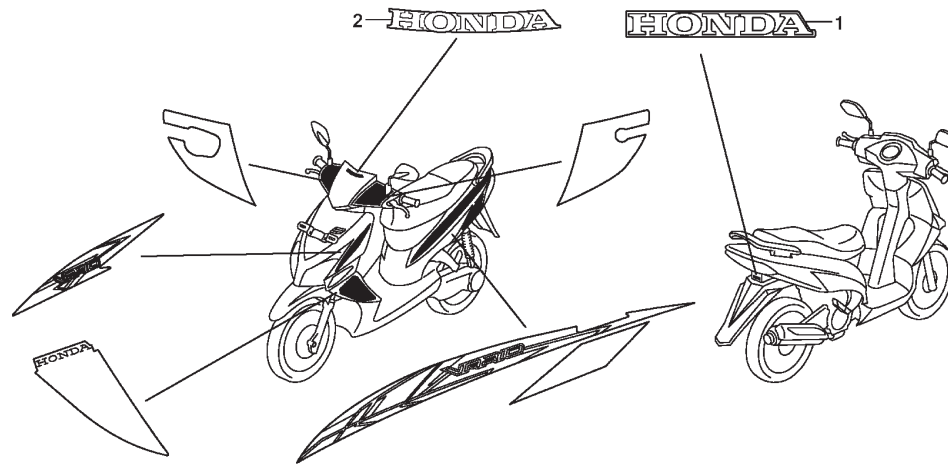


KVBIF3100

Service item	F.R.T.	No.	Part Number	Description	QTY ANC110	Notes
NOT INFORMATION	-	(1)	87110-KVB-900ZA	MARK, HONDA (60MM)	1	
		(2)	87120-KVB-930	EMBLEM (HONDA)	1	
		③	871X0-KVB-930ZA	STRIPE 1 WINTER BLUE	1	SPOKE
			871X0-KVB-930ZB	STRIPE 2 SUMMER PINK	(1)	SPOKE
			871X0-KVB-930ZC	STRIPE 3 COSMIC ORANGE	(1)	SPOKE
			871X0-KVB-930ZD	STRIPE 4 ACTIVE RED	(1)	SPOKE
			871X0-KVB-930ZE	STRIPE 5 SPORTY BLUE	(1)	SPOKE
			871X0-KVB-940ZA	STRIPE 1 WINNING RED	1	CASTWHILE
			871X0-KVB-940ZB	STRIPE 2 ARCTIC WHITE	(1)	CASTWHILE
			871X0-KVB-940ZC	STRIPE 3 FROZEN BLUE	(1)	CASTWHILE
			871X0-KVB-940ZD	STRIPE 4 JAZZY GREEN	(1)	CASTWHILE
			871X0-KVB-940ZE	STRIPE 5 POWDER PINK	(1)	CASTWHILE

F - 31 - 1

Mark / Stripe



KVBF3101

Service item	F.R.T.	No.	Part Number	Description	QTY ANC110	Notes
NOT INFORMATION	-	(1)	87110-KVB-900ZA	MARK, HONDA (60MM) *TYPE1*	1	
		(2)	87120-KVB-930	EMBLEM (HONDA)	1	

PART NO. INDEX

Part Number	Block No	Part Number	Block No	Part Number	Block No	Part Number	Block No	Part Number	Block No
(06000)		12215-KVB-900	E-3	14775-KVB-900	E-3	17212-KVB-900	F-17	(19000)	
06430-KVB-900	F-14	12251-KVB-901	E-2	14781-MA6-000	E-3	17213-KVB-900	F-17	19010-KVB-901	E-7
	F-14-1	12251-KVB-902	E-2			17215-KVB-900	F-17	19010-KVB-930	E-7
06451-GE2-405	F-12	12310-KVB-900	E-1	(15000)		17218-KVB-900	F-17	19037-KVB-901	E-7
06455-KVB-911	F-12	12361-035-000	E-17	15100-KVB-900	E-11	17225-KVB-930	F-17	19037-KVB-930	E-7
06530-GBG-B20	F-6	12391-KVB-900	E-1	15130-KVB-900	E-11	17228-KVB-900	F-17	19046-KVB-901	E-7
06531-GBG-B20	F-6			15133-KVB-900	E-11	17234-KVB-900	F-17	19046-KVB-930	E-7
		(13000)		15331-KVB-900	E-11	17235-KVB-900	F-17	19101-KVB-900	F-28
(11000)		13000-KVB-930	E-18	15332-KVB-900	E-11	17236-KVB-900	F-17	19104-KVB-900	F-28
11100-KVB-931	E-9	13011-GCC-C50	E-18	15421-107-000	E-17	17253-KVB-900	F-17	19108-KVB-900	F-28
11103-KVB-901	E-9	13011-KVB-900	E-18	15426-KVB-900	E-17	17254-KVB-900	F-17	19109-GET-003	E-7
	E-17	13012-KVB-900	E-18	15651-KVB-900	E-9	17256-KVB-900	E-2	19151-KVB-901	E-6
11103-KVB-930	E-9	13013-GCC-C50	E-18	15771-551-000	F-17	17257-KVB-900	E-2	19160-KVB-900	E-7
11108-KVB-900	E-16	13013-KVB-900	E-18			17261-KVB-900	F-17	19200-KVB-900	E-8
11200-KVB-900	E-17	13014-GCC-C50	E-18	(16000)		17274-KVB-900	F-17	19215-KVB-900	E-8
11203-KVB-901	E-17	13014-KVB-900	E-18	16010-KGF-911	E-19	17311-KVB-900	F-17-1	19216-KVB-900	E-8
11204-KGF-900	E-16	13015-GCC-C50	E-18	16012-KVB-931	E-19	17369-KB4-670	F-17-1	19217-MAL-300	E-8
11205-GBC-300	E-9	13015-KVB-900	E-18	16013-KRP-981	E-19	17370-419-700	F-17	19221-KVB-900	E-8
	E-17	13101-KVB-930	E-18	16015-KVB-901	E-19	17510-KVB-930	F-16	19225-KVB-901	E-8
11205-GW3-931	E-12	13102-KVB-900	E-18	16016-KRP-981	E-19	17525-KBN-900	F-16	19226-KVB-900	E-8
11205-GW3-980	E-17	13103-KVB-900	E-18	16028-KVB-901	E-19	17525-KVB-901	F-16	19232-KVB-900	E-8
11211-KVB-900	E-16	13104-KVB-900	E-18	16037-KCW-000	E-19	17526-KVB-900	F-16	19240-KVB-900	E-8
11214-KVB-900	E-9	13105-KVB-900	E-18	16046-KVB-901	E-19	17554-MB0-000	F-17-1	19300-KVB-901	E-8
11216-KPH-900	E-9	13111-087-000	E-18	16048-KVB-901	E-19	17620-KGH-600	F-16	19381-KVB-900	E-8
11217-KVB-901	E-9	13115-GN5-910	E-18	16050-KVB-902	E-19	17622-GB7-900	F-17-1	19422-KVB-900	E-8
11230-KVB-900	E-13			16075-GHB-640	E-19	17626-KVB-900	F-17	19501-KVB-900	E-7
11241-KVB-900	E-16	(14000)		16100-KVB-931	E-19	17630-KVB-900	F-16	19502-KVB-900	E-7
11331-KVB-900	E-6	14100-KVB-900	E-3	16107-GCC-000	E-19	17631-KEV-900	F-16	19504-KVB-900	E-7
11335-KVB-900	E-8	14102-KVB-900	E-3	16111-KVB-902	E-19	17635-KVB-900	F-16	19505-KVB-900	E-8
11340-KVB-900	E-13	14106-KVB-900	E-3	16119-KVB-901	E-19	17910-KVB-900	F-3	19507-KVB-900	E-7
11342-KVB-900	E-13	14107-KVB-900	E-3	16131-ZW9-801	E-19			19509-KVB-900	F-17-1
11343-KVB-900	E-13	14108-KVB-900	E-3	16140-GFC-901	E-19	(18000)		19510-KVB-900	E-6
11344-GW3-980	E-13	14321-KVB-900	E-3	16155-KJ9-751	E-19	18291-KVB-900	F-18		
11344-KVB-900	E-13	14401-KVB-901	E-4	16163-KGF-911	E-19	18293-KSB-900	F-18	(21000)	
11345-KVB-900	F-19	14430-KVB-900	E-3	16165-KVB-901	E-19	18300-KVB-930	F-18	21200-KVB-900	E-16
11346-KVB-900	F-19	14440-KVB-900	E-3	16180-KGH-971	E-19	18316-KVB-900	F-18	21395-KVB-900	E-16
11350-KVB-900	E-13	14451-KVB-900	E-3	16190-GEE-003	E-19	18330-KVB-900	F-18		
11395-KVB-900	E-13	14461-KVB-900	E-3	16199-KVB-901	E-19	18600-KVB-901	F-17-1	(22000)	
		14510-KVB-900	E-4	16201-KVB-900	E-2	18640-KVB-900	F-17-1	22011-GCC-770	E-14
(12000)		14520-KSS-901	E-4	16222-MV4-300	E-2	18645-KVB-900	F-17-1	22100-KVB-900	E-15
12100-KVB-900	E-5	14531-KVB-900	E-4	16223-GBF-830	F-19	18651-KVB-900	F-17-1	22102-KVB-900	E-14
12160-KVB-900	E-5	14560-KCW-851	E-4	16236-KVB-900	E-13	18652-KVB-900	F-17-1	22105-KVB-900	E-14
12171-KVB-900	E-5	14611-KVB-900	E-4	16950-KJ9-751	F-16	18654-KVB-900	F-17-1	22110-KVB-900	E-14
12191-KVB-900	E-5	14711-KVB-900	E-3	16952-KJ9-752	F-16	18655-KVB-900	F-17-1	22123-KVB-900	E-14
12200-KVB-900	E-2	14721-KVB-900	E-3	16958-397-771	F-16	18801-KVB-900	F-17-1	22131-KVB-900	E-14
12204-KVB-305	E-2	14751-KVB-900	E-3			18804-KVB-900	F-17-1	22350-KVB-900	E-15
12209-GB4-681	E-3	14761-KVB-900	E-3	(17000)		18805-KVB-900	F-17-1	22361-KVB-900	E-15
12211-KVB-900	E-2	14771-GB4-680	E-3	17110-KVB-900	E-2	18835-KVB-900	F-17-1	22401-KVB-900	E-15
				17210-KVB-901	F-17				

PART NO. INDEX

Part Number	Block No	Part Number	Block No	Part Number	Block No	Part Number	Block No	Part Number	Block No
22535-KVB-900	E-15	32105-KVB-901	E-12	(37000)		44311-KVB-910	F-13	45521-GW0-911	F-4
22804-GB2-000	E-15	32412-MV4-000	F-26	37080-KVB-900	F-16		F-13-1	45530-471-831	F-4
(23000)		32920-MN5-003	F-1	37121-ML7-671	F-2	44620-KVB-910	F-13	(50000)	
23100-KVB-901	E-15	32961-KVB-900	E-8	37200-KVB-931	F-2		F-13-1	50100-KVB-900	F-27
23200-KVB-900	E-15	32962-KVB-900	E-10	37210-KVB-931	F-2	44635-KVB-910ZB	F-13-1	50301-KPH-720	F-6
23220-KVB-900	E-15	(33000)		37211-KVB-901	F-2	44650-KVB-930ZA	F-13-1	50302-KPH-720	F-6
23225-KSY-900	E-15	33100-KVB-931	F-1	37212-KVB-901	F-2	44650-KVB-940ZA	F-13	50306-KN5-900	F-6
23226-KVB-900	E-15	33110-KVB-931	F-1	37213-KVB-901	F-2	44701-KVG-900	F-13-1	50306-KN5-900	F-6
23233-KVB-900	E-15	33113-MAT-611	F-1	37224-KVB-931	F-2	44711-KVB-931	F-13	50350-KVB-900	F-27
23237-GY6-940	E-15		F-24	37305-KE5-008	F-2		F-13-1	50352-KVB-900	F-27
23238-KVB-900	E-15	33118-KVB-900	F-1	37801-GA7-700	F-16	44712-KVB-931	F-13	50381-KVB-930	F-25
23411-KVG-900	E-16	33119-KVB-900	F-1	37802-GA7-700	F-16		F-13-1	50382-KVB-900	F-25
23421-KVB-900	E-16	33150-KVB-931	F-1	37870-HW1-671	E-2		F-14	50500-KVB-930	F-20
23422-KVG-900	E-16	33402-KVB-931	F-23	(38000)		44713-KVB-931	F-13-1	50503-KVB-900	F-20
23430-KVB-900	E-16	33403-KVB-931	F-23	38110-KTM-851	F-26		F-14-1	50520-KVB-900	F-20
23531-MG2-790	E-17	33410-KVB-931	F-23	38117-KPH-880	F-26	44800-KVB-910	F-13	50530-KVB-930	F-20
(28000)		33452-KVB-931	F-23	38301-KRS-971	F-2		F-13-1	50710-KET-600	F-19
28120-KVB-901	E-12	33453-KVB-931	F-23	38306-KK4-000	F-2	44806-KVB-911	F-13	50711-KET-600	F-19
28150-KVB-900	E-12	33460-KVB-931	F-23	38501-KVB-901	F-26		F-13-1	50712-KET-600	F-19
28223-GCC-000	E-14	33710-KVB-931	F-24	38506-KVB-931	F-26	44809-KFM-900	F-13	50715-KE8-000	F-19
28230-KVB-900	E-14	33714-KL3-620	F-26	(42000)			F-13-1	50715-KVB-900	F-19
28250-KVB-900	E-14	33720-KVB-931	F-24	42601-KVG-900ZB	F-14-1	44830-KVB-900	F-2	50716-KVB-900	F-19
28253-KVB-900	E-14	33741-KAN-961	F-22	42601-KVG-911ZA	F-14	44831-KVB-900	F-2	(51000)	
28255-GS6-000	E-14	(34000)		42650-KVG-900ZB	F-14-1	(45000)		51400-KVB-930	F-11
28281-GCC-000	E-14	34351-657-921	F-24	42701-KVG-900	F-14-1	45107-GE2-006	F-12	51400-KVB-940	F-11
28300-KVB-900	F-20	34901-KFV-B51	F-1	42711-KVB-931	F-14	45108-KPH-951	F-12	51401-KVB-901	F-11
(30000)		34905-GM9-003	F-24	(43000)		45111-MAJ-G41	F-12	51410-KVB-901	F-11
30158-GW3-980	F-3	34905-KAN-W01	F-23	43141-KVB-900	F-14	45126-KVB-911	F-4	51412-GN5-901	F-11
30401-KVB-900	F-26		F-24		F-14-1	45131-GZ0-006	F-12	51420-KVB-930	F-11
30410-KVB-931	F-26	34908-GA7-701	F-1	43151-329-000	F-14	45132-166-016	F-12	51420-KVB-940	F-11
30500-KVB-901	F-26		F-2		F-14-1	45133-MA3-006	F-12	51425-GN5-901	F-11
30700-KVB-931	F-26	34908-KTF-641	F-2	43352-568-003	F-12	45150-KVB-911	F-12	51437-KGH-901	F-11
(31000)		(35000)		43353-461-771	F-12	45156-KVB-910	F-4	51454-KEV-881	F-11
31110-KVB-931	E-10	35010-KVB-930	F-26	43410-KVB-900	F-14	45157-KAN-850	F-4	51456-KPH-901	F-11
31120-KVB-931	E-10	35011-KVB-930	F-26		F-14-1	45190-KVB-911	F-12	51466-065-901	F-11
31204-KG8-004	E-12	35070-KVB-900	F-20	43450-KVB-930	F-3	45215-KPH-951	F-12	51470-KPH-901	F-11
31206-GW3-004	E-12	35101-KVB-930	F-26	43455-KVB-900	F-3	45216-166-006	F-12	51490-KGH-901	F-11
31210-KVB-901	E-12	35121-KVB-900	F-26	43459-GN5-760	F-14	45351-KVB-911	F-13	51500-KVB-930	F-11
31213-KEE-630	E-12	35150-KPH-880	F-3		F-14-1		F-13-1	51520-KVB-930	F-11
31500-KPH-881	F-25	35160-KPH-881	F-3	43472-KVB-900	F-14	45351-KVB-931	F-13	51520-KVB-940	F-11
31500-KPH-882	F-25	35170-KPH-651	F-3		F-14-1		F-4	(52000)	
31600-KVB-901	F-26	35180-KPH-881	F-3	(44000)		45504-410-003	F-4	52400-KVB-930	F-21
(32000)		35200-KVB-900	F-3	44301-GN5-900	F-13	45510-KPH-881	F-4	52400-KVB-940	F-21
32100-KVB-930	F-26	35340-KPH-901	F-3		F-13-1	45512-MA6-006	F-4	52485-088-901	F-21
(33000)		35340-MA5-671	F-4			45513-GW0-911	F-4	52486-GA7-003	F-21
(34000)						45517-GW0-751	F-4		
(35000)						45520-GW0-911	F-4		

PART NO. INDEX

Part Number	Block No	Part Number	Block No	Part Number	Block No	Part Number	Block No	Part Number	Block No
(53000)		77242-KVB-900	F-15	88210-KVB-930ZF	F-3	90131-KGH-900	F-12		E-5
53100-KVB-930	F-5			88210-KVB-930ZG	F-3	90145-KPH-B30	F-4	90701-MF5-003	E-7
53140-KVB-900	F-3	(80000)		88220-KVB-930ZA	F-3	90147-KVB-900	F-20	90702-KFM-900	E-11
53166-KVB-900	F-3	80103-KVB-900	F-27	88220-KVB-930ZB	F-3	90152-KVB-900	F-19		E-13
53167-KFM-900	F-3	80104-KVB-900	F-22	88220-KVB-930ZC	F-3	90164-028-000	F-26		E-16
53168-KFM-900	F-3	80110-KVB-930ZA	F-22	88220-KVB-930ZD	F-3	90201-GCC-000	E-2	90702-KVB-900	E-9
53175-KVB-930	F-4	80151-KVB-900ZA	F-10	88220-KVB-930ZE	F-3	90202-KN7-670	E-15	90741-003-010	E-18
53178-KVB-930	F-3			88220-KVB-930ZF	F-3	90202-ZV0-000	F-18		
53181-KVB-930	F-3	(81000)		88220-KVB-930ZG	F-3	90203-KVB-900	F-20	(91000)	
53182-KVB-900	F-3	81110-KVB-930	F-8			90206-001-000	E-3	91001-KCW-003	E-15
53183-KVB-900	F-3	81131-KVB-900ZA	F-8	(89000)		90302-GW3-980	F-9	91001-KE6-831	E-16
53206-KVB-930ZA	F-5	81132-GAH-000ZW	F-8	89102-538-000	F-29		F-10	91002-GA7-701	E-15
53211-KPH-720	F-6	81250-KVB-900	F-15	89103-538-000	F-29		F-15	91002-GA7-702	E-15
53212-KPH-720	F-6	81252-KVB-900	F-15	89216-GBG-770	F-29		F-22	91002-KVB-930	E-17
53214-GN5-900	F-6			89219-KGH-900	F-29		F-24	91005-KVB-900	E-13
53215-GN5-900	F-6	(83000)				90302-435-761	F-3	91007-KVB-901	E-16
53216-GN5-830	F-6	83520-KVB-900ZA	F-10	(90000)		90304-KGH-901	F-5	91009-KVB-901	E-16
53219-KVB-930	F-6	83551-MB9-000	F-27	90002-GFC-900	E-11		F-27	91052-KVB-901	F-13
53220-GN5-900	F-6	83620-KVB-900ZA	F-10	90002-KGH-900	E-10	90305-KVB-901	F-14		F-13-1
		83642-171-000	F-29	90005-KY7-000	E-4		F-14-1	91052-KVB-902	F-13
(61000)		83750-KVB-930ZB	F-10		F-8	90306-KGH-901	F-13		F-13-1
61100-KVB-930ZB	F-7	83751-KVB-930ZB	F-10	90012-333-000	E-3		F-13-1	91201-KCW-851	E-8
61100-KVB-930ZC	F-7			90016-GAM-690	E-17	90314-KVB-900	F-3	91201-434-003	E-16
61100-KVB-930ZD	F-7	(84000)		90017-GCC-000	E-1	90401-GCC-000	E-2	91202-KJ9-003	E-17
61100-KVB-930ZE	F-7	84100-KVB-900ZB	F-15	90031-KVB-900	E-9	90412-329-000	E-14	91202-KVB-901	E-17
61100-KVB-930ZF	F-7	84100-KVB-900ZC	F-15	90032-KVB-900	E-17	90426-KVB-900	E-14	91203-436-004	E-8
61100-KVB-930ZG	F-7			90035-166-008	F-2	90439-SB2-010	E-10	91211-KN7-671	E-15
		(86000)		90083-KVB-900	E-3	90439-443-740	E-14	91211-PE9-003	E-13
(64000)		86150-KPG-901	F-2	90101-GJ6-000	F-1	90441-GY6-940	E-15	91251-KPH-901	F-13
64223-KVB-900	F-27	86150-KPG-902	F-2	90103-GET-003	E-7	90463-ML7-000	E-8		F-13-1
64227-KVB-930	F-25			90105-KGH-900	F-13	90474-333-000	E-17	91255-KVB-902	E-16
64302-KVB-930ZA	F-8	(87000)			F-13-1	90501-KBN-900	F-14	91258-KM1-004	F-13
64305-KVB-900ZA	F-9	87110-KVB-900ZA	F-31	90105-KPH-900	F-15		F-14-1		F-13-1
64306-KVB-900ZA	F-9		F-31-1	90105-KVB-900	F-27	90501-KPH-880	F-5	91301-GR0-004	E-4
64308-KVB-900ZA	F-9	87120-KVB-930	F-31	90106-GCC-000	F-27	90501-124-000	F-17-1	91301-KVB-900	E-8
64310-KVB-930ZA	F-9		F-31-1	90106-GN5-900	F-5	90505-KPH-880	F-5	91302-001-020	E-17
64510-KEV-900	F-8	87503-KVB-930	F-30	90107-KVB-900	F-8	90543-MV9-670	E-1	91306-MG3-000	E-4
		87505-KVB-930	F-30		F-9	90544-283-000	F-11	91307-PK2-005	E-2
(75000)		87506-KPH-880	F-30	90108-MK6-670	F-20	90545-300-000	F-4	91307-035-000	E-9
75581-GN8-920	F-15	87560-KVB-930	F-30	90109-MZ5-008	F-2	90583-KVB-900	E-7	91309-KEE-630	E-12
		87586-KVB-930	F-30	90112-KVB-900	F-14	90605-166-720	E-15	91352-671-003	F-2
(77000)					F-14-1	90651-MA5-671	F-4	91352-671-004	F-2
77115-KVB-900	F-15	(88000)		90114-KGH-900	F-4	90652-KVB-900	E-13	91356-GM0-003	F-11
77200-KVB-930	F-15	88114-KVB-900	F-3	90114-KW7-900	F-10	90672-SA0-003	E-8	91384-KVB-900	E-15
77201-KPH-900	F-15	88210-KVB-930ZA	F-3	90115-KRS-690	F-3		F-27	91422-KVB-900	F-5
77230-KVB-900	F-15	88210-KVB-930ZB	F-3	90116-KVB-900	F-7	90677-KAN-T00	F-8	91509-GE2-760	F-8
77234-GN2-000	F-15	88210-KVB-930ZC	F-3		F-17-1	90678-MN5-000	F-17-1	91509-KVB-900	F-10
77239-KVB-900	F-15	88210-KVB-930ZD	F-3		F-28	90678-MR1-690	E-7	91540-KPH-901	F-26
77240-KVB-900	F-15	88210-KVB-930ZE	F-3	90116-KV3-701	F-11	90701-KFM-900	E-2	91540-KPH-902	F-2



PART NO. INDEX

Part Number	Block No	Part Number	Block No	Part Number	Block No	Part Number	Block No	Part Number	Block No
	F-16	93911-24320	F-23	95701-06014-00	E-5	96600-06022-07	E-13		
91540-S30-003	F-26				E-16	96700-06022-00	E-10		
	F-26	(94000)		95701-06016-00	E-6				
		94001-06000-0S	F-15		E-17	(97000)			
(92000)		94030-12200	E-15	95701-06018-00	E-8	97198-41028-N0	F-14-1		
92101-08025-0A	F-20	94030-14200	E-14		F-17-1	97366-41100-P0	F-13-1		
92301-06012-0A	F-25	94050-06000	F-4	95701-06020-00	F-26	97547-41099-P0	F-13-1		
92800-12000	E-9		F-17-1	95701-06022-00	E-4	97654-41026-N0	F-14-1		
92900-06012-0B	E-2		F-26		F-4				
		94050-12000	E-10	95701-06025-00	E-6	(98000)			
		94101-06000	F-19		E-7	98059-57916	E-2		
			F-25		E-8	98059-57926	E-2		
93404-06012-00	F-15	94101-10800	F-20		F-17	98059-58916	E-2		
	F-22	94109-12000	E-9	95701-06030-00	E-8	98059-58926	E-2		
93404-06016-00	F-9	94201-16150	F-19		E-16	98200-31000	F-26		
93404-06030-00	F-17-1	94201-30200	F-20	95701-06032-00	E-2	98200-31500	F-26		
93500-04008-1H	E-19	94301-08100	E-6		F-8				
93500-04010-1H	E-19		E-8	95701-06035-00	E-6	(99000)			
93500-04012-1H	E-19	94510-20000	E-16		E-8	99003-20000	F-29		
93500-04025-0G	F-19	94511-16000	E-14	95701-06040-00	E-16	99101-KPB-1020	E-19		
93500-05012-1H	E-19	94520-28000	E-15	95701-06055-00	E-8				
93500-05025-0A	F-3	94520-52150	E-17		E-9				
93500-05025-0H	E-2	94540-04018	E-3	95701-06070-00	E-9				
93600-04012-1G	F-4			95701-06080-00	E-9				
93892-04006-08	E-12			95701-06100-00	E-2				
93892-04008-18	E-19	(95000)		95701-06115-00	E-9				
93892-05012-18	E-19	95002-02070	F-16	95701-08012-00	E-17				
93892-05016-08	E-12		F-17-1	95701-08016-00	F-16				
93893-04012-17	F-4	95002-02080	F-16	95701-08032-00	F-15				
93901-34120	E-11	95002-02089	E-19	95701-10040-07	F-18				
93901-34310	F-1	95002-02100	F-28	95801-06016-02	F-18				
93903-24410	F-15	95002-02130	F-17	95801-08012-00	F-27				
93903-24480	F-9	95002-41200-08	F-17	95801-08032-00	F-21				
	F-10	95002-50000	E-16	95801-10035-00	F-21				
	F-22	95002-80000	E-13	95801-10045-00	F-6				
93903-25220	F-18		F-16						
93903-25310	F-2		F-17	(96000)					
93903-25480	F-17-1	95005-45330-50	E-19	96001-06012-00	E-9				
93903-25510	F-17	95005-55470-20	F-28		F-15				
93903-34120	E-13	95011-61000	F-15		F-26				
93903-34220	F-19		F-20	96001-06014-00	E-13				
93903-34320	F-23	95014-72102	F-20	96001-06016-00	E-16				
93903-34380	F-5	95015-32001	F-14	96001-06020-00	E-8				
	F-8		F-14-1	96001-06025-00	E-6				
	F-9	95015-81000	F-19	96001-06035-00	E-12				
	F-10	95018-34200	F-19		E-13				
93903-35320	F-1	95701-06010-00	F-25	96001-06085-00	E-13				
	F-24	95701-06012-00	F-4	96100-63010-00	E-17				
93903-45320	F-17-1		F-24	96100-63020-00	E-17				
			F-26						

PART NAME INDEX

Part Number	Block No	Part Number	Block No	Part Number	Block No	Part Number	Block No
(A)			F-17-1		F-4		E-17
ARM ASSY., KICK STARTER	F-20		F-28	BOLT, HEAD COVER	E-1	BUSH, RR. CUSHION RUBBER	F-21
ARM COMP., EX.		BOLT, FLANGE, 6X10	F-25	BOLT, HEX., 6X30	E-11	BUSH, RR. CUSHION	
VALVE ROCKER	E-3	BOLT, FLANGE, 6X100	E-2	BOLT, HEX., 8X25	F-20	UNDER RUBBER	E-17
ARM COMP., IN. VALVE ROCKER	E-3	BOLT, FLANGE, 6X115	E-9	BOLT, OIL, 10X22	F-4	BUSH, 8X12X6	E-12
ARM, RR. BRAKE	F-14	BOLT, FLANGE, 6X12	E-9	BOLT, PIN	F-12		E-17
	F-14-1		F-4	BOLT, RECESSED, 6X12	F-25	BYSTARTER ASSY., AUTO	E-19
AXLE, FR. WHEEL	F-13		F-15	BOLT, SEAT HINGE	F-15		
	F-13-1		F-24	BOLT, SIDE STAND PIVOT	F-20	(C)	
		BOLT, FLANGE, 6X14	F-26	BOLT, SOCKET KNOCK, 5MM	E-3	C.D.I. UNIT	F-26
			E-5	BOLT, SOCKET, 10X40	F-19	CABLE COMP., RR. BRAKE	F-3
(B)			E-13	BOLT, SOCKET, 6X22	E-10	CABLE COMP., SPEEDOMETER	F-2
BATTERY	F-25		E-16		E-13	CABLE COMP., THROTTLE	F-3
BATTERY ASSY.	F-25	BOLT, FLANGE, 6X16	E-6	BOLT, SOCKET, 8MM	F-11	CABLE, INNER	F-2
BEARING COMP., RADIAL BALL	E-13		E-16	BOLT, SPECIAL, 6MM	F-8	CABLE, SEAT LOCK	F-15
BEARING, NEEDLE, 20X29X18	E-15		E-1		F-9	CALIPER SUB ASSY., L. FR.	F-12
BEARING, RADIAL			F-18	BOLT, SPECIAL, 6X16	F-20	CAM, RR. BRAKE	F-14
BALL SPECIAL, 6207	E-17		E-8	BOLT, SPECIAL, 6X27	E-17		F-14-1
BEARING, RADIAL BALL, 60/22	E-16		F-17-1	BOLT, STUD, 6X12	E-2	CAMSHAFT COMP.	E-3
BEARING, RADIAL BALL, 6201	E-16		E-8	BOOT B	F-12	CAP ASSY., NOISE	
BEARING, RADIAL		BOLT, FLANGE, 6X20	E-4	BOOT COMP.	F-4	SUPPRESSOR	F-26
BALL, 6201(U)	F-13	BOLT, FLANGE, 6X22	F-4	BOOT, PIN BUSH	F-12	CAP COMP., RADIATOR	E-7
	F-13-1		E-6	BOSS, DRIVE FACE	E-14	CAP, BLEEDER	F-12
BEARING, RADIAL BALL, 6204	E-16	BOLT, FLANGE, 6X25	E-7	BOX ASSY., S		CAP, FUEL FILLER	F-16
BEARING, RADIAL BALL, 6301	E-17		E-8	PEEDOMETER GEAR	F-13	CAP, HOLDER	
BEARING, RADIAL BALL, 6302	E-17		F-17		F-13-1		E-19
BEARING, RADIAL BALL, 6902U	E-15	OLT, FLANGE, 6X30	E-8	BOX COMP., BATTERY	F-25	CAP, LOCK NUT	
BELT, DRIVE	E-15		E-16	BOX, LUGGAGE	F-15		F-3
BODY COMP., BYSTARTER	E-19		E-2	BRACKET COMP., FR.	E-12	CAP, LUGGAGE BOX	
BODY COMP., FRAME	F-27	BOLT, FLANGE, 6X32	F-8	BRACKET COMP.,			F-15
BOLT A, STUD, 7X193.5	E-9		F-14	L. PILLION STEP	F-19	CAP, MASTER CYLINDER	
BOLT B, STUD, 7X198.5	E-17		F-14-1	R. PILLION STEP	F-19		F-4
BOLT-WASHER, 6X12	F-15	BOLT, FLANGE, 6X35	E-6	BRACKET SUB ASSY.,		CAP, RESERVE TANK	F-28
	F-22		E-8	FR. CALIPER	F-12		
BOLT-WASHER, 6X16	F-9		E-12	BRACKET, FR. NUMBER PLATE	F-8	CAP, TAPPET ADJUSTING HOLE	
BOLT-WASHER, 6X30	F-17-1		E-13	BRACKET, L. HEADLIGHT	F-1		E-17
BOLT, ADJUSTING	F-1	BOLT, FLANGE, 6X40	E-16	BRACKET, R. HEADLIGHT	F-1	CARBURETOR ASSY.	E-19
BOLT, BRAKE DISK, 8X24	F-13	BOLT, FLANGE, 6X55	E-8	BULB	F-24	CASE ASSY.	F-2
	F-13-1		E-9	BULB, HEADLIGHT	F-1	CASE COMP., MISSION	E-16
BOLT, DRAIN	E-7	BOLT, FLANGE, 6X70	E-9	BULB, WEDGE BASE	F-1	CASE SUB ASSY.,	
BOLT, DRAIN PLUG, 12MM	E-9	BOLT, FLANGE, 6X80	E-9			AIR CLEANER	F-17
BOLT, FLANGE, 10X238	F-27	BOLT, FLANGE, 6X85	E-13		F-2	CASE, AIR CLEANER	F-17-1
BOLT, FLANGE, 10X250	F-27	BOLT, FLANGE, 8X12	E-17	BULB, WINKER	F-23	CASE, L. FR. BOTTOM	F-11
BOLT, FLANGE, 10X35	F-21		F-27		F-24	CASE, R. FR. BOTTOM	F-11
BOLT, FLANGE, 10X40	F-18		F-16	BUSH, ENGINE		CATCH COMP., SEAT	F-15
BOLT, FLANGE, 10X45	F-6	BOLT, FLANGE, 8X16	F-12	HANGER RUBBER	E-9	CHAIN, CAM	E-4
BOLT, FLANGE, 10X50	F-5	BOLT, FLANGE, 8X25	F-15		E-17	CHAIN, WATER PUMP DRIVE	E-8
BOLT, FLANGE, 5X14	E-10	BOLT, FLANGE, 8X32	F-21	BUSH, KICK SPINDLE	E-14	CHAMBER SET, FLOAT	E-19
BOLT, FLANGE, 6MM	F-7		F-3	BUSH, MAINSTAND	E-9		
		BOLT, HANDLE LEVER PIVOT					

08.08.2005

PART NAME INDEX

Part Number	Block No	Part Number	Block No	Part Number	Block No	Part Number	Block No
CIRCLIP	F-4		F-13-1	CYLINDER SUB ASSY.,		FUEL UNIT SET	F-16
CIRCLIP, EXTERNAL, 16MM	E-14	COLLAR, FR. WHEEL SIDE	F-13	FR. BRAKE MASTER	F-4	FUSE, BLADE	F-26
CIRCLIP, EXTERNAL, 20MM	E-16		F-13-1				
CIRCLIP, INTERNAL, 28MM	E-15	COLLAR, HORN SETTING	F-26	(D)		(G)	
CIRCLIP, INTERNAL, 32MM	E-13	COLLAR, KICK BOSS	E-14	DIAPHRAGM	F-4	GASKET SET	E-19
CIRCLIP, INTERNAL, 52MM	E-17	COLLAR, MUFFLER		DISK, FR. BRAKE	F-13	GASKET, AIR FEED PIPE	F-17-1
CIRCLIP, 7MM	E-15	PROTECTOR	F-18		F-13-1	GASKET, CARBURETOR	
CLAMP	F-2	COLLAR, RUBBER BUSH	F-21	DOWEL PIN, SPECIAL, 8X14	E-2	INSULATOR	E-2
CLAMP A, A.C.		COLLAR, SEAL	E-15		E-5	GASKET, CYLINDER	E-5
GENERATOR CORD	E-8	COLLAR, SPRING	E-15	DOWEL PIN, 8X10	E-6	GASKET, CYLINDER HEAD	E-2
		COLLAR, MUFFLER PROTECTOR	F-18		E-8	GASKET, EX. PIPE	F-18
CLAMP B, A.C.		COLLAR, RUBBER BUSH	F-21	DOWEL PIN, 8X12	E-11	GASKET, FLOAT CHAMBER	E-19
GENERATOR CORD	E-10	COLLAR, SEAL	E-15		E-13	GASKET, HEAD COVER	E-1
CLAMP, CORD	F-1	COLLAR, SPRING	E-15	DRIVER 2, PLUS SCREW	F-29	GASKET, L. COVER	E-13
CLAMP, TUBE	F-17	COTTER, VALVE	E-3	DRIVER, SCREW	F-29	GASKET, MISSION CASE	E-16
	F-17-1	COVER COMP.,		DUCT, AIR CLEANER	F-17	GASKET, STATOR BASE	E-8
CLAMP, WATER HOSE, 21MM	E-7	AIR MANAGEMENT	E-13	DUCT, L. COVER	F-19	GASKET, TENSIONER LIFTER	E-4
CLAMPER B, BRAKE HOSE	F-4	COVER COMP., HEAD		DUST SEAL	F-11	GASKET, WATER PUMP COVER	E-8
CLAMPER COMP.,			E-1	DUST SEAL, STEERING HEAD	F-6	GAUGE, OIL LEVEL	E-9
THROTTLE CABLE	E-5	COVER COMP., L. SIDE	E-13	DUST SEAL, 21X37X7	F-13	GEAR COMP., FINAL	E-16
CLAMPER, AIR		COVER COMP., RADIATOR TOP	E-7		F-13-1	GEAR COMP., KICK STARTER	
CLEANER DRAIN TUBE	E-13	COVER SUB ASSY.,		(E)		SPINDLE	E-14
CLAMPER, BRAKE HOSE	F-4	AIR CLEANER	F-17	E-RING, 3MM	F-3	GEAR, COUNTER	E-16
CLAMPER, BREATHER TUBE	E-16		F-17-1	E-RING, 4MM	E-3	GEAR, OIL PUMP DRIVEN	E-11
CLAMPER, DRAIN TUBE	E-13	COVER, AIR CLEANER DUCT	F-17	ELEMENT COMP., AIR CLEANER	F-17	GEAR, SPEEDOMETER	F-1
CLAMPER, RR. BRAKE CABLE	F-3	COVER, BATTERY TERMINAL	F-26	ELEMENT, AIR CLEANER	F-17-1		F-13-1
CLIP, BREATHER TUBE	F-17-1	COVER, CENTER	F-10	ELEMENT, AIR CLEANER		GRIP	F-29
CLIP, FUEL HOSE	F-17-1	COVER, FR. LOWER	F-9	SECOND	F-17	GRIP COMP., THROTTLE	F-3
CLIP, HARNESS BAND	F-2	COVER, FR. TOP	F-8	EMBLEM	F-31	GRIP, L. HANDLE	F-3
	F-16	COVER, HANDLE RR.	F-5		F-31-1	GROMMET	F-27
	F-26	COVER, INNER	F-8	EMBLEM, PRODUCT	F-2	GUARD, L. DUCT	F-19
CLIP, HOSE	E-7	COVER, L. BODY SIDE	F-10			GUARD, R. SPLASH	F-27
CLIP, OIL DRAIN TUBE	F-17	COVER, L. FLOOR SIDE	F-9	(F)		GUARD, SPLASH	F-22
CLIP, PISTON PIN, 13MM	E-18	COVER, R. BODY SIDE	F-10	FACE ASSY., DRIVEN	E-15	GUIDE, CAM CHAIN	E-4
CLIP, RING	E-8	COVER, R. FLOOR SIDE	F-9	FACE COMP., DRIVE	E-14	GUIDE, VALVE	E-2
CLIP, TUBE	E-13	COVER, R. SIDE	E-6	FACE COMP.,			
	E-16	COVER, RADIATOR	E-6	MOVABLE DRIVE	E-14	(H)	
	E-19	COVER, RR. CENTER	F-10	FACE COMP., MOVABLE DRIVEN	E-15	HARNESS, WIRE	F-26
	F-16	COVER, RR. CENTER LOWER	F-10	FAN COMP., COOLING	E-6	HEAD COMP., CYLINDER	E-2
	F-17	COVER, VENT HOLE	E-13	FENDER SET, RR.	F-22	HEADLIGHT ASSY.	F-1
	F-17-1	COVER, WATER PUMP	E-8	FENDER, FR.	F-7	HEADLIGHT UNIT	F-1
	F-28	CRANKCASE COMP., L.	E-17	FLAP, TIRE	F-13-1	HINGE, SEAT	F-15
COCK ASSY., FUEL AUTO	F-16	CRANKCASE COMP., R.	E-9		F-14-1	HOLDER COMP.,	
COIL ASSY., IGNITION	E-26	CRANKSHAFT COMP.	E-18	FACE ASSY., DRIVEN	E-15	STARTER PINION	E-12
COLLAR	E-2	CUSHION ASSY., RR.	F-21	FACE COMP., DRIVE	E-14	HOLDER, CAMSHAFT	E-2
COLLAR A, HANDLE SETTING	F-5	CUSHION, C.D.I. UNIT	F-26	FACE COMP., MOVABLE DRIVEN	E-15	HOLDER, MASTER CYLINDER	F-4
COLLAR B, HANDLE SETTING	F-5	CUSHION, FR. TOP COVER	F-8	FENDER SET, RR.	F-22	HOLDER, NEEDLE JET	E-19
COLLAR, AIR CLEANER	F-17	CYLINDER COMP.	E-5	FENDER, FR.	F-7	HOOK, LUGGAGE	F-8
COLLAR, FR. DISTANCE	F-13	CYLINDER SET, MASTER	F-4	FLAP, TIRE	F-13-1		

PART NAME INDEX

Part Number	Block No	Part Number	Block No	Part Number	Block No	Part Number	Block No
HORN COMP.	F-26	(M)		O-RING, 15.2X1.5	E-4	PLATE, BEARING SETTING	E-17
HOSE A, WATER	E-7	MARK, BATTERY CAUTION	F-30	O-RING, 18X3	E-9	PLATE, CAM STOPPER	E-3
HOSE B, WATER	E-7	MARK, HONDA	F-31	O-RING, 30.8MM	E-17	PLATE, CLUTCH SIDE	E-15
HOSE COMP., FR. BRAKE	F-4		F-31-1	O-RING, 38.8X1.9	E-15	PLATE, DIAPHRAGM	F-4
HOSE D, WATER	E-7	MIRROR COMP., L.	F-3	O-RING, 8.5X1.5	F-2	PLATE, GUARD	F-25
HOSE, AIR INJECTION		MIRROR COMP., R.	F-3	O-RING, 9.5X1.5	E-2	PLATE, L. COVER	E-13
CONTROL VALVE	F-17-1	MOTOR UNIT, STARTER	E-12		E-4	PLATE, MISSION	
HOSE, RESERVE TANK	F-28	MUFFLER COMP., EX.	F-18	OIL SEAL, 12X24X5	E-8	BEARING SETTING	E-16
HOUSING, UNDER THROTTLE	F-3	(N)		OIL SEAL, 14X20X3	E-16	PLATE, PILLION STEP SIDE	F-19
HOUSING, UPPER THROTTLE	F-3	NEEDLE SET, JET	E-19	OIL SEAL, 16X26X6	E-13	PLATE, RAMP	E-14
HUB COMP., RR. WHEEL	F-14-1	NUT, BRAKE ROD ADJUSTING	F-14	OIL SEAL, 19.8X30X7	E-8	PLATE, SETTING	E-19
HUB SUB ASSY., FR.	F-13-1		F-14-1	OIL SEAL, 20.8X52X6X7.5	E-17	PLATE, WEIGHT SETTING	E-3
(I)			F-18	OIL SEAL, 20X32X6	E-17	PLUG, AIR CLEANER DRAIN	F-17
IMPELLER, WATER PUMP	E-8	NUT, CAP, 6MM	F-8	OIL SEAL, 29X44X7	E-16	PLUG, BEARING PUSH	E-9
INDICATOR COMP., LED	F-2	NUT, CLIP, 5MM	E-10	OUTER COMP., CLUTCH	E-15	PLUG, BREATHER TUBE	F-17
(J)		NUT, FLANGE, 12MM	F-4	(P)			
JET, MAIN,	E-19	NUT, FLANGE, 6MM	F-17-1	PACKING	E-12	PROTECTOR	F-4
JET, SLOW,	E-19		F-26	PACKING, BASE	F-16	PROTECTOR A SET, MUFFLER	F-18
JOINT B, BRAKE ARM	F-14	NUT, HEX., 12MM	E-15	PACKING, FUEL FILLER CAP	F-16	PUMP ASSY., OIL	E-11
	F-14-1	NUT, HEX., 14MM	E-14	PAD SET, FR. BRAKE	F-12	PUMP ASSY., WATER	E-8
JOINT, FUEL TUBE	F-16	NUT, HEX., 5MM	F-3	PIECE SET, SLIDE	E-14	(R)	
JOINT, THREE WAY HOSE	E-7	NUT, HEX., 6MM	F-15	PIN A, PILLION STEP	F-19	RACE, STEERING	
(K)		NUT, HEX., 7MM	E-2	PIN, HANGER	F-12	BOTTOM BALL	F-6
KEY SET	F-26	NUT, LOCK	F-3	PIN, PARKING LEVER PIVOT	F-3	RACE, STEERING	F-6
KEY, BLANK	F-26	NUT, SIDE STAND	F-20	PIN, PISTON	E-18	RACE, STEERING TOP BALL	F-6
KEY, SEAT LOCK	F-15	NUT, SPECIAL, 30MM	E-15	PIN, ROLLER GUIDE	E-15	RACE, STEERING TOP CONE	F-6
KEY, WOODRUFF, 4MM	E-18	NUT, SPRING, 4MM	F-9	PIN, SPECIAL DOWEL,		RADIATOR COMP.	E-7
(L)			F-10	6.3X10X12	E-9	RAIL, RR. GRAB	F-15
LABEL, COOLANT		NUT, SQUARE, 5MM	F-15	PIN, SPLIT, 1.6X15	F-19	RECTIFIER COMP.,	
INFORMATION	F-30	NUT, STEERING STEM LOCK	F-22	PIN, SPLIT, 3.0X20	F-20	REGULATOR	F-26
LABEL, DRIVE CAUTION	F-30	NUT, TAPPET ADJUSTING	F-24	PINION ASSY., STARTER	E-12	REFLECTOR, RR. REFLEX	F-22
LABEL, FUEL	F-30	NUT, U, 10MM	E-2	PIPE B, WATER	E-8	RELAY COMP., STARTER	F-26
LABEL, RADIATOR CAP	E-7		F-6	PIPE COMP., AIR FEED	F-17-	RELAY COMP., WINKER	F-2
LABEL, TIRE	F-30		E-3	PIPE COMP., FR. FORK	F-11	RESONATOR	F-17-1
LENS	F-2		F-5	PIPE COMP., INLET	E-2	RETAINER, FUEL UNIT	F-16
LENS, L. FR. WINKER	F-23	NUT, U, 12MM	F-27	PIPE COMP., INLET	E-2	RETAINER, VALVE SPRING	E-3
LENS, R. FR. WINKER	F-23		F-13	PIPE COMP.,		RIM, FR. WHEEL	F-13-1
LEVER COMP., BRAKE LOCK	F-3	NUT, U, 16MM	F-13-1	STEERING HANDLE	F-5	RIM, RR. WHEEL	F-14-1
LEVER, L. STEERING HANDLE	F-3		F-14	PIPE, CP	F-1	RING SET, PISTON	E-18
LEVER, R. STEERING HANDLE	F-4		F-14-1		F-24	RING, OIL SEAL STOPPER	F-11
LIFTER ASSY., TENSIONER	E-4	(O)		PIPE, SEAT	F-11	RING, PISTON	F-11
LINK ASSY., ENGINE HANGER	F-27	O-RING	E-8	PISTON	E-18	RING, STOPPER	F-11
			E-12	PISTON COMP., VACUUM	E-19		F-12
			F-11	PIVOT, CAM CHAIN TENSIONER	E-4	ROLLER SET, WEIGHT	E-14
			F-16	PLATE COMP., DRIVE	E-15	ROLLER, GUIDE	E-15
			E-19	PLATE SET, VALVE	E-19	ROTOR, OIL PUMP INNER	E-11
			E-8	PLATE, BEARING PUSH	E-9	ROTOR, OIL PUMP OUTER	E-11
		O-RING, 1.3X4.3					
		O-RING, 12.5X2.4					

08.08.2005

PART NAME INDEX

Part Number	Block No	Part Number	Block No	Part Number	Block No	Part Number	Block No
RUBBER A, STAND STOPPER	F-15		F-9		F-24		F-27
	F-20		F-10	SOCKET COMP., L. FR. WINKER	F-23	SUB CORD, STARTER MOTOR	E-12
RUBBER, CLUTCH DAMPER	E-15		F-23	SOCKET COMP., R. FR. WINKER	F-23	SUSPENSION, STARTER RELAY	F-26
RUBBER, CUSHION	F-17-1	SCREW, TAPPING, 4X14	F-2	SPACER, DECOMPRESSION		SUSPENSION, WINKER RELAY	F-2
RUBBER, DUST GUARD	E-5		F-23	SPRING	E-3	SWITCH ASSY.,	
RUBBER, LINK STOPPER	F-27	SCREW, TAPPING, 4X16	F-9	SPEEDOMETER ASSY.	F-2	COMBINATION & LOCK	F-26
RUBBER, MOUNTING	E-1		F-10	SPEEDOMETER COMP.	F-2	SWITCH ASSY., FR. STOP	F-3
RUBBER, PILLION STEP	F-19		F-15	SPINDLE COMP.,			F-4
RUBBER, PROTECTOR			F-22	KICK STARTER	E-14	SWITCH ASSY., WINKER	F-3
PACKING	F-18	SCREW, TAPPING, 4X8	E-11	SPOKE SET A, 10X129.5	F-13-1	SWITCH SET, SIDE STAND	F-20
RUBBER, SEAL	F-15		E-13	SPOKE SET A, 10X130	F-13-1	SWITCH UNIT, DIMMER	F-3
RUBBER, STARTER		SCREW, TAPPING, 5X12	F-18	SPOKE SET A, 10X93	F-14-1	SWITCH UNIT, HORN	F-3
PINION HOLDER	E-13	SCREW, TAPPING, 5X16	F-1	SPOKE SET A, 10X94	F-14-1	SWITCH UNIT, LIGHTING	F-3
RUBBER, TAILLIGHT			F-2	SPRING A, SIDE STAND	F-20	SWITCH UNIT, STARTING	F-3
BRACKET	F-26		F-17-1	SPRING, BEARING PUSH	E-9		
			F-24	SPRING, BRAKE SHOE	F-14		
			F-17-1		F-14-1		
(S)		SCREW, TAPPING, 5X20	F-17	SPRING, CARBON BRUSH	E-12	(T)	
SCREEN, FUEL STRAINER	F-16	SCREW, TAPPING, 5X25	F-17	SPRING, CLUTCH	E-15	TANK COMP., FUEL	F-16
SCREEN, OIL FILTER	E-17	SCREW, U-LOCK FLAT, 6X12	F-26	SPRING, COMPRESSION COIL	E-19	TANK, RESERVE	F-28
SCREW SET A	E-19	SCREW, VISOR SETTING	F-10	SPRING, DECOMPRESSION	E-3	TENSIONER, CAM CHAIN	E-4
SCREW SET B	E-19	SEAL A, AIR CLEANER	F-17	SPRING, DRIVEN FACE	E-15	THERMOSTAT ASSY.	E-8
SCREW-WASHER,		SEAL B, AIR CLEANER	F-17	SPRING, FR. FORK	F-11	THREAD COMP.,	
SPECIAL, 4X10	F-2	SEAL SET, FR. FORK	F-11	SPRING, KICK DRIVEN GEAR	E-14	STEERING HEAD TOP	F-6
SCREW-WASHER, 3X22	F-2	SEAL SET, PISTON	F-12	SPRING, KICK RETURN	E-14	TIRE, FR.	F-13
SCREW-WASHER, 4X12	F-4	SEAL, AIR CLEANER	F-17-1	SPRING, LOCK KEY SETTING	F-15		F-13-1
SCREW-WASHER, 4X6	E-12	SEAL, DRAIN	E-7	SPRING, MAIN STAND	F-20	TIRE, RR.	F-14
SCREW-WASHER, 4X8	E-19	SEAL, DRIVEN FACE, 34X41X4	E-15	SPRING, OIL FILTER SCREEN	E-17		F-14-1
SCREW-WASHER, 5X12	E-19	SEAL, MECHANICAL	E-8	SPRING, PAD	F-12	TOP	E-19
SCREW-WASHER, 5X16	E-12	SEAL, SPEEDOMETER		SPRING, REBOUND	F-11	TRAY, FUEL	F-16
SCREW, BLEEDER	F-12	GEAR BOX	F-13	SPRING, RETURN LEVER	F-3	TUBE	E-19
SCREW, FLAT, 4X12	F-4		F-13-1	SPRING, RR. BRAKE ARM	F-14	TUBE A, AIR INJECTION	
SCREW, PAN, 4X10	E-19	SEAL, VALVE STEM	E-3		F-14-1	CONTROL VALVE	F-17-1
SCREW, PAN, 4X12	E-19	SEAT ASSY., DOUBLE	F-15	SPRING, SEAT LOCK	F-15	TUBE ASSY., FUEL	F-16
SCREW, PAN, 4X25	F-19	SEAT B, SPRING	F-11	SPRING, VALVE INNER	E-3	TUBE C, AIR INJECTION	
SCREW, PAN, 4X8	E-19	SEAT, VALVE SPRING	E-3	SPRING, VALVE OUTER	E-3	CONTROL VALVE	F-17-1
SCREW, PAN, 5X11.5	F-8	SENSOR ASSY., WATER TEMP	E-2	SPROCKET, CAM	E-3	TUBE, AIR CLEANER	
	F-10	SHAFT COMP., OIL PUMP	E-11	SPROCKET, WATER P		CONNECTING	F-17
SCREW, PAN, 5X12	E-19	SHAFT COMP., WATER PUMP	E-8	UMP DRIVEN	E-8	TUBE, AIR CLEANER DRAIN	F-17
SCREW, PAN, 5X25	E-2	SHAFT, COUNTER	E-16	STAND COMP., MAIN	F-20	TUBE, AIR OPENING	F-17
	F-3	SHAFT, DRIVE	E-16	STATOR COMP.	E-10	TUBE, AIR SUCTION VALVE	F-17-1
SCREW, PAN, 6X6	E-4	SHAFT, EX. ROCKER ARM	E-3	STAY, ENGINE		TUBE, BREATHER	E-16
	F-8	SHAFT, IN. ROCKER ARM	E-3	HARNES CLAMP	E-8		F-17
SCREW, SPECIAL PAN, 5MM	F-5	SHAFT, MAIN STAND	F-20	STAY, FR. COVER	F-27	TUBE, DRAIN	E-13
SCREW, TAPPET ADJUSTING	E-3	SHOE SET, BRAKE	F-14	STAY, SEAT LOCK CABLE	F-15		F-16
SCREW, TAPPING, 4X10	F-19		F-14-1	STAY, WIRE	E-19	TUBE, PRESSURE	F-16
SCREW, TAPPING, 4X12	F-1	SHUTTER SET, KEY	F-26	STEM SUB ASSY., STEERING	F-6	TUBE, TIRE	F-13
	F-5	SLEEVE, RR. BRAKE CAM	E-16	STEP, FLOOR	F-9		F-13-1
	F-8	SOCKET ASSY., HEADLIGHT	F-1	STRAP, CABLE, 118MM	E-8		
		SOCKET COMP.	F-2				

PART NAME INDEX

Part Number	Block No	Part Number	Block No	Part Number	Block No	Part Number	Block No
	F-14						
	F-14-1						
TUBE, 4.5X330	E-19						
TUBE, 5.3X470	F-28						
(V)							
VALVE ASSY., AIR SUCTION	F-17-1						
VALVE COMP., FLOAT	E-19						
VALVE SET, AIR CUT	E-19						
VALVE, EX.	E-3						
VALVE, IN.	E-3						
(W)							
WASHER, DRAIN PLUG, 12MM	E-9						
WASHER, FR. COVER SETTING	F-17-1						
WASHER, OIL BOLT	F-4						
WASHER, PLAIN, 10.5X22X1.6	F-20						
WASHER, PLAIN, 6MM	E-7						
	F-19						
	F-25						
WASHER, SEALING, 6.5MM	E-8						
WASHER, SEALING, 8MM	E-17						
WASHER, SPECIAL, 14MM	E-14						
WASHER, SPECIAL, 24X12X2.3	E-10						
WASHER, SPECIAL, 8MM	F-11						
WASHER, SPEEDOMETER GEAR	F-13						
	F-13-1						
WASHER, STEERING HEAD DUST SEAL	F-6						
WASHER, STEERING STEM NUT	F-6						
WASHER, THRUST, 10MM	E-14						
WASHER, WAVE	F-12						
WASHER, 12.2X29X2.5	E-15						
WASHER, 16MM	F-14						
	F-14-1						
WASHER, 16X22	E-14						
WASHER, 7.2X16X2.5	E-2						
WEIGHT SET, CLUTCH	E-15						
WEIGHT, DECOMPRESSION WHEEL COMP., RR.	F-14						
WHEEL SUB ASSY., FR.	F-13						
	F-13-1						
WHEEL SUB ASSY., RR.	F-14-1						
WRENCH, SPARK PLUG	F-29						

08.08.2005